

Type BLC-209
Fuse Block
ANE / ANF Limiter Fuses



www.optifuse.com (619) 593-5050

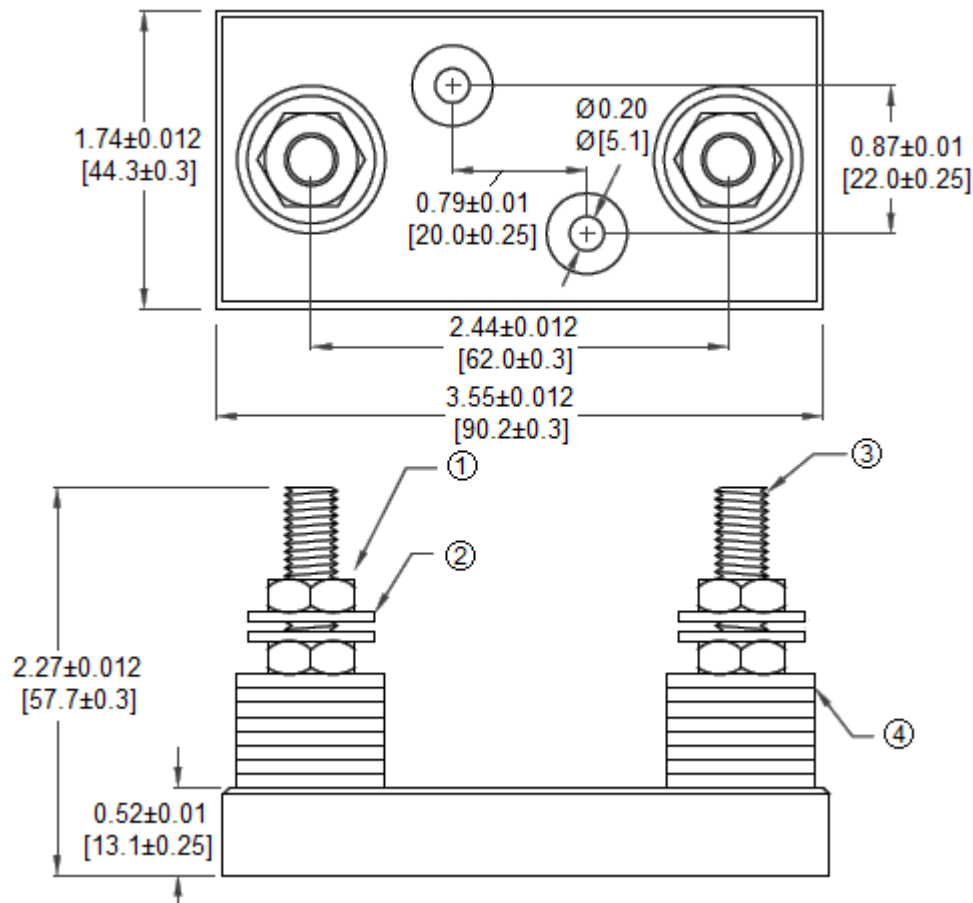
Specifications:

Voltage Rating: 125VAC
Max Current Rating: 800A
Fuse Type: ANE / ANF Limiter Fuse
Base: Phenolic Laminate, Flame Retarding
Terminals: Brass

Hardware Specifications

Item	Qty	Description
1	4	M8 Hex Nut
2	4	Flat washer
3	2	M8 x L50 Bolt
4	16	Phenolic Resin washer

Mechanical Dimensions: Inches [mm]



	<p>Warning: -Operation beyond the specified maximum ratings or improper use may result in damage and possible electrical arcing and/or flame.</p>
	<p>-Avoid contact of device with chemical solvent. Prolonged contact may damage the device performance.</p>