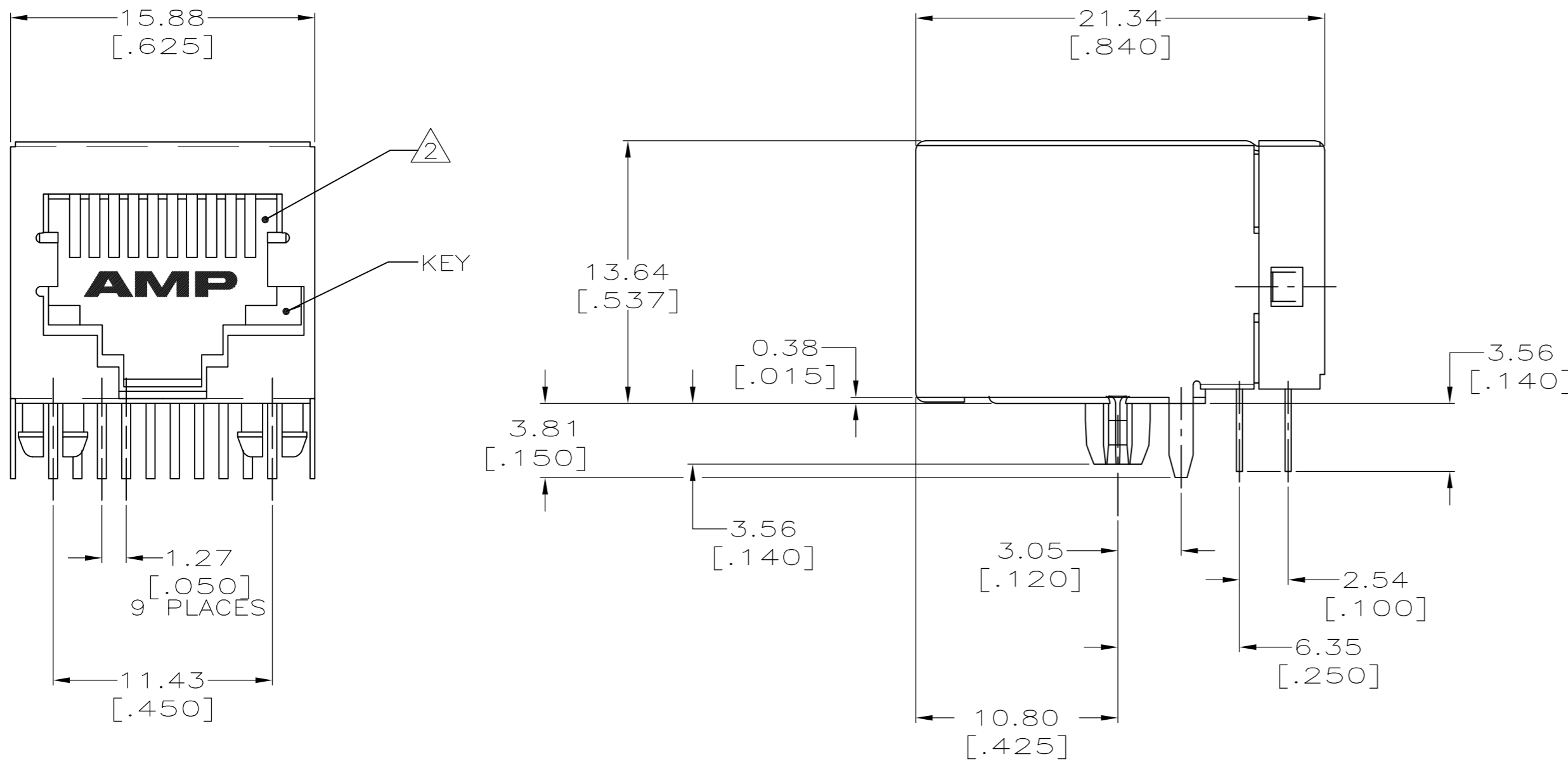
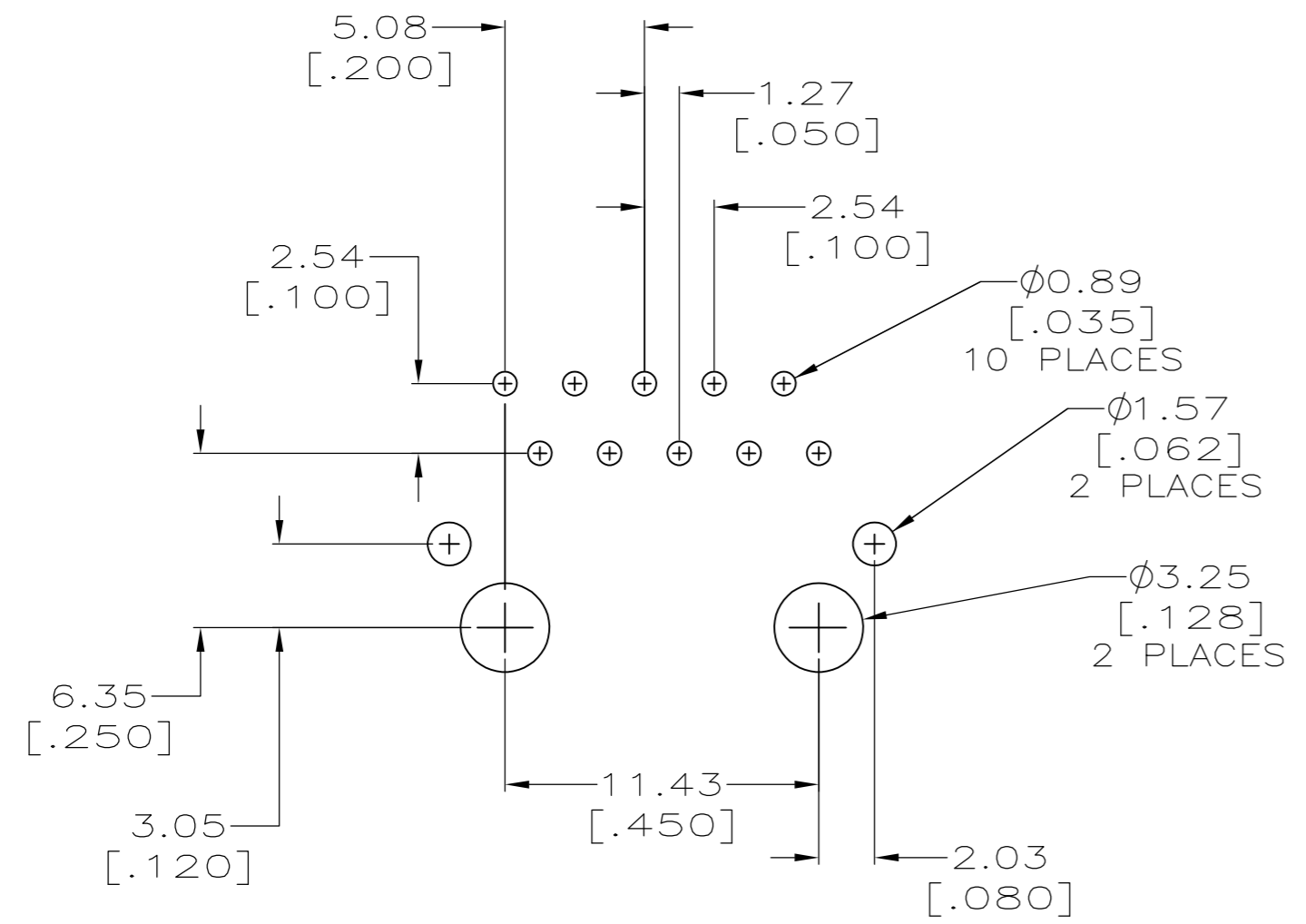


THIS DRAWING IS UNPUBLISHED. RELEASED FOR PUBLICATION  
 © COPYRIGHT - By - ALL RIGHTS RESERVED.

LOC	DIST	REVISIONS			
P	LTR	DESCRIPTION	DATE	DWN	APVD
AA	22	B	REV PER ECO-13-017998	16JAN2014	LL SH



- 1 MATERIALS:  
 HOUSING-PCT POLYESTER, BLACK, IR REFLOW COMPATIBLE, UL 94V-0.  
 TERMINALS 0.33 [.013] THICK PHOS BRONZE PLATED WITH 1.27µm [.000050] MIN THICK HARD GOLD IN LOCALIZED AREA AND 3.81µm [.000150] MIN THICK MATTE TIN IN SOLDER AREA OVER 1.27µm [.000050] MINIMUM THICK NICKEL UNDERPLATE.  
 SHIELD-0.25 [.010] THICK COPPER ALLOY PLATED WITH 1.27µm [.000050] MINIMUM THICK NICKEL AND 2.03µm [.000080] MINIMUM HOT DIP ON PCB GROUND TABS.
- 2 JACK CAVITY CONFORMS TO FCC RULES AND REGULATIONS,PART 68 SUBPART F.
3. DIMENSIONS ARE NOMINAL UNLESS OTHERWISE SPECIFIED.



SUGGESTED PC BOARD LAYOUT  
 VIEW SHOWN IS TOP (COMPONENT SIDE) OF PC BOARD

THIS DRAWING IS A CONTROLLED DOCUMENT.		DWN 07JUN2005 A. FERNANDEZ-DOCK5	5558068-1 PART NO	
DIMENSIONS: INCHES		CHK 07JUN2005 J. WESTMAN	TE Connectivity	
TOLERANCES UNLESS OTHERWISE SPECIFIED:		APVD 07JUN2005 S. FLICKINGER	NAME MODULAR JACK ASSEMBLY,10 POSITION, KEYED,SIDE ENTRY,LOW PROFILE, FULLY SHIELDED,PRINTED CIRCUIT GROUND	
0 PLC ± - 1 PLC ± - 2 PLC ± - 3 PLC ± 0.13 [.005] 4 PLC ± - ANGLES ± -		PRODUCT SPEC APPLICATION SPEC	SIZE A2	RESTRICTED TO -
MATERIAL	FINISH	WEIGHT -	CAGE CODE -	DRAWING NO C=5558068
CUSTOMER DRAWING		SCALE 1:1	SHEET 1 of 1	REV B