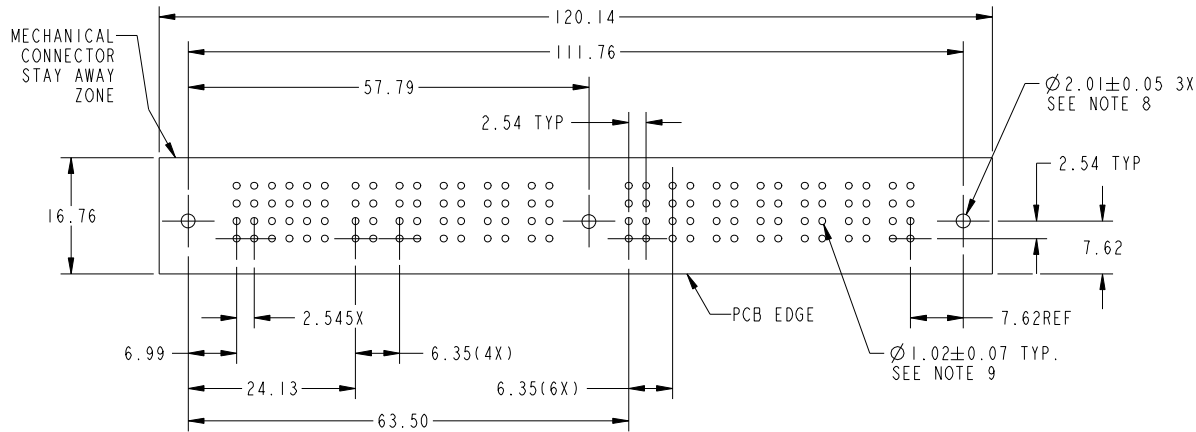
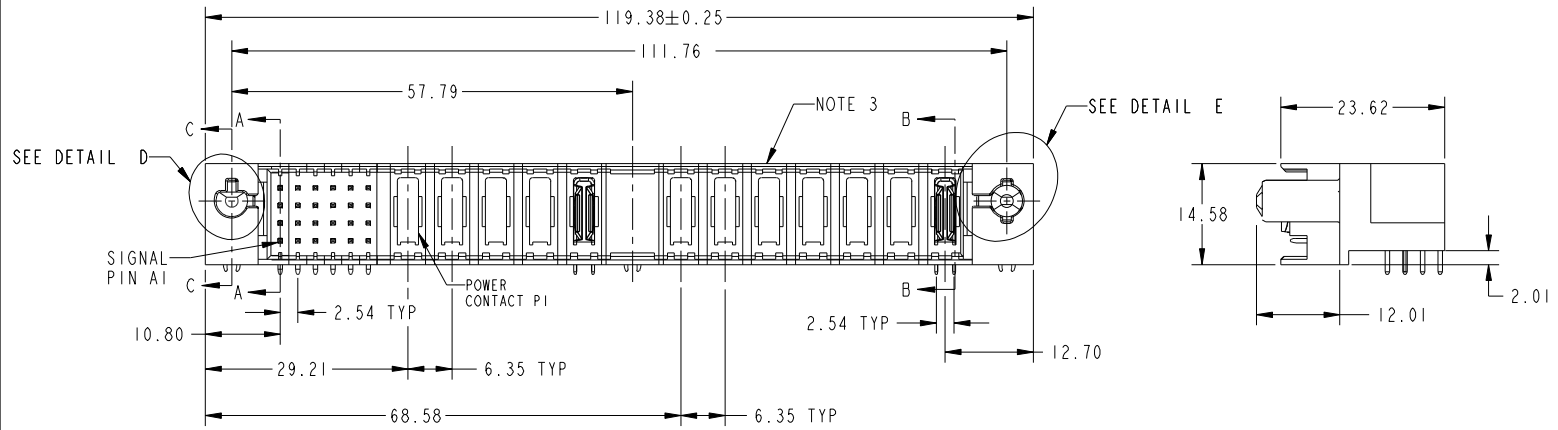


Tous droits strictement réservés. Reproduction ou communication a des tiers interdite sous quelque forme que ce soit sans autorisation écrite du propriétaire. Propriété de c FCI. Droits de reproduction FCI.



All rights strictly reserved. Reproduction or issue to third parties in any form whatever is not permitted without written authority from the proprietor. Property of FCI. Copyright FCI.

PRODUCT NUMBER  
SEE SHEET 3



RECOMMENDED PCB LAYOUT

mat'l code				tolerances unless otherwise specified		CUSTOMER		FCI	
ltr	ecn no.	dr	date	linear	0.X ±0.5	COPY		www.fciconnect.com	
K	DG05-0215	GUOJM	07/07/05		0.XX ±0.25	projection		title 24S + 5P + 1M + 7P	
L	DG05-0563	RYAN	12/29/05		0.XXX ±0.10	MIM		RIGHT ANGLE SOLDER HEADER	
M	DG07-0498	JW	09/08/08	angles	0° ±2°	scale		product family PwrBlade code	
				dr	L-IV 02-04-98	1:1		size	
				enr	J.BROWN 02-04-98			dwg no	
				chr	J.BROWN 02-04-98			51219	
				appd	J.BROWN 02-04-98			sheet	
sheet index	revision sheet	M	M	M	M			1 of 4	
		1	2	3	4				

cage code 22526

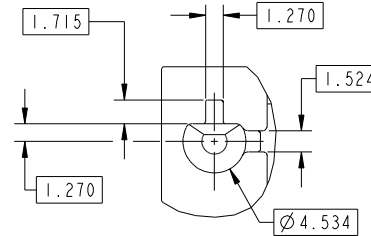
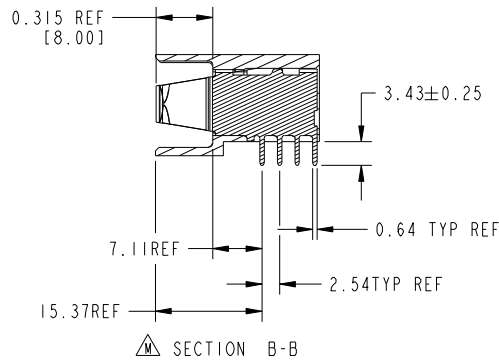
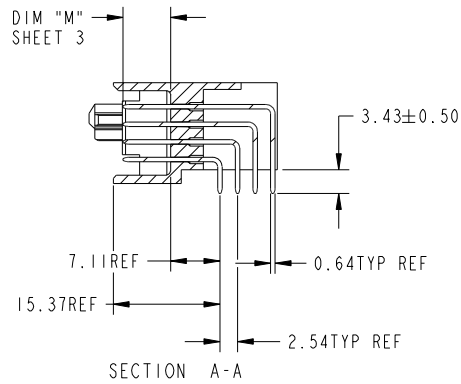
Pro/E

Tous droits strictement reserves. Reproduction ou communication a des tiers interdite sous quelque forme que ce soit sans autorisation écrite du propriétaire. Propriete de c FCI. Droits de reproduction FCI.

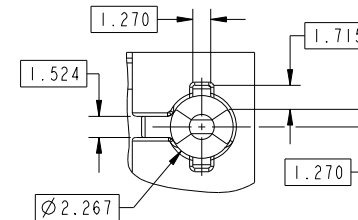


All rights strictly reserved. Reproduction or issue to third parties in any form whatever is not permitted without written authority from the proprietor. Property of FCI. Copyright FCI.

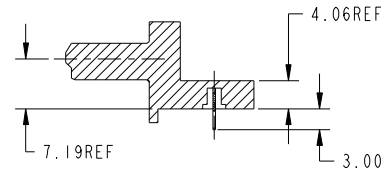
PRODUCT NUMBER  
SEE SHEET 3



DETAIL D  
SCALE 2:1



DETAIL E  
SCALE 2:1



SECTION C-C

mat'l code				tolerances unless otherwise specified		CUSTOMER		FCI	
ltr	ecn no.	dr	date	linear	0.X ±0.5	COPY		www.fciconnect.com	
M					0.XX ±0.25	projection		title 24S + 5P + 1M + 7P	
				angles	0.XXX ±0.10			RIGHT ANGLE SOLDER HEADER	
				dr	0° ±2°			product family	
				enr	L-IV 02-04-98	scale		code	
				chr	J.BROWN 02-04-98	1:1		size	
				appd	J.BROWN 02-04-98			dwg no	
sheet index		revision sheet						A	
								51219	
								sheet 2 of 4	

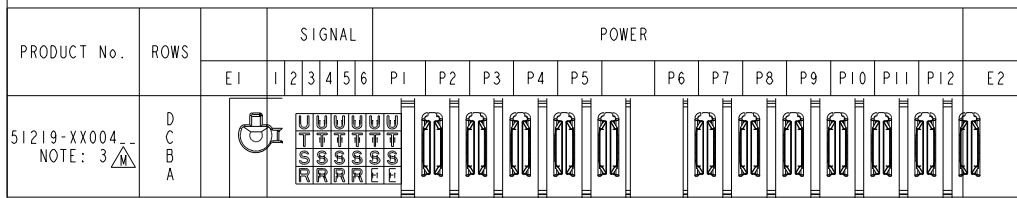
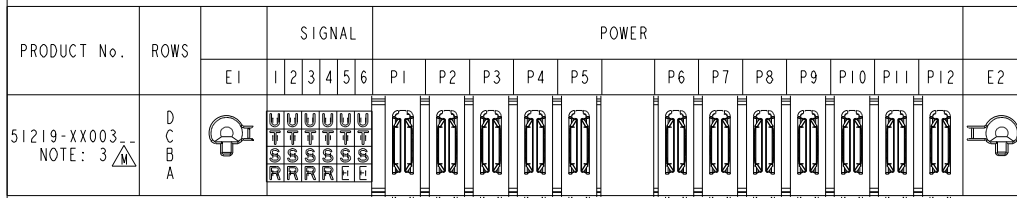
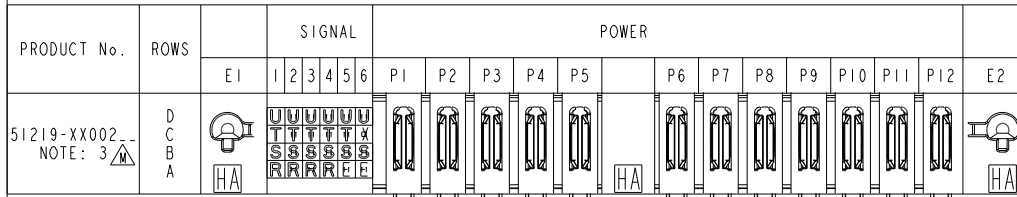
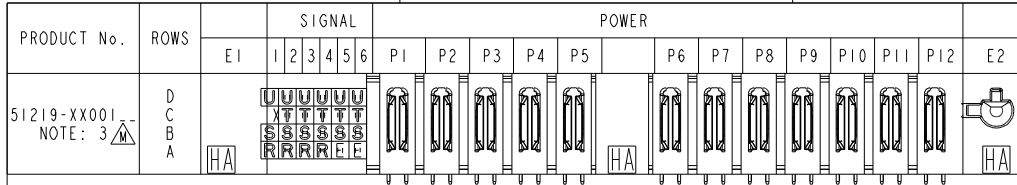
cage code 22526

Pro/E

Tous droits strictement reserves. Reproduction ou communication a des tiers interdite sous quelque forme que ce soit sans autorisation écrite du propriétaire. Propriete de c FCI. Droits de reproduction FCI.



All rights strictly reserved. Reproduction or issue to third parties in any form whatever is not permitted without written authority from the proprietor. Property of FCI. Copyright FCI.



CODE	DIM "M" ±0.25	CONTACT TYPE
E	[ 5.59 ]	SIGNAL
R	[ 6.86 ]	SIGNAL
S	[ 6.86 ]	SIGNAL
T	[ 6.86 ]	SIGNAL
U	[ 6.86 ]	SIGNAL
PA	[ N/A ]	POWER
HA	[ N/A ]	HOLD-DOWN
X	OMITTED	

mat'l code				tolerances unless otherwise specified		CUSTOMER	
ltr	ecn no.	dr	date	linear	0.X ±0.5	COPY	
M				angles	0.XX ±0.25	projection	
				dr	0.XXX ±0.10	MIM	
				enr	0° ±2°	scale 1:1	
				chr	L-IV 02-04-98	product family	
				appd	J.BROWN 02-04-98	size	
					J.BROWN 02-04-98	dwg no	
sheet index	revision sheet					code	
						sheet 3 of 4	

**FCI** www.fciconnect.com

title 24S + 5P + 1M + 7P  
RIGHT ANGLE SOLDER HEADER

product family

size A

dwg no 51219

code

sheet 3 of 4

cage code 22526

Tous droits strictement reserves. Reproduction ou communication a des tiers interdite sous quelque forme que ce soit sans autorisation écrite du propriétaire. Propriete de c FCI. Droits de reproduction FCI.



All rights strictly reserved. Reproduction or issue to third parties in any form whatever is not permitted without written authority from the proprietor. Property of FCI. Copyright FCI.

PRODUCT NUMBER  
SEE SHEET 3

NOTES:

1. DIMENSIONS AND TOLERANCES ARE IN ACCORDANCE WITH ASME Y14.5M, 1994 UNLESS OTHERWISE SPECIFIED.

CONNECTOR NOTES:

2. HOUSING MATERIAL: UL 94 V-0 GLASS FILLED  
HIGH-TEMP THERMOPLASTIC  
POWER CONTACT MATERIAL: COPPER ALLOY  
SIGNAL PIN MATERIAL: COPPER ALLOY

3. PLATING:  
SEE PRINT 10064183 FOR PLATING SPEC OF 51219-XX00X; 51219-XX00XF

4. MANUFACTURER'S NAME, P/N, AND DATE CODE TO APPEAR ON THIS SURFACE.

5. PRODUCT SPECIFICATION GS-12-149.  
APPLICATION SPECIFICATION BUS-20-067.

6. PACKAGED IN TRAYS.

PCB NOTES:

7. ALL HOLE DIAMETERS ARE FINISHED HOLE SIZE.

8. MOUNTING HOLES, WHERE APPLICABLE, ARE UNPLATED.

9.  $\varnothing 1.151 \pm 0.025$  DRILLED HOLES PLATED WITH  
0.008 MIN SnPb OR Sn OVER 0.03  
TO 0.08 Cu PLATING TO ACHIEVE  
 $\varnothing 1.02 \pm 0.07$  HOLE.

10. "DIM XXX" TO BE DETERMINED BY THE CUSTOMER.

11. CONNECTOR KEEP-OUT ZONE.

12. A SYMBOL WILL BE NEXT TO ANY DIMENSION, VIEW, OR NOTE WHICH HAS BEEN MODIFIED WITH THE CURRENT DRAWING REVISION.

mat'l code				tolerances unless otherwise specified		CUSTOMER				www.fciconnect.com	
ltr	ecn no.	dr	date	linear	0.X ±0.5		COPY			title	
M					0.XX ±0.25		projection			24S + 5P + 1M + 7P	
					0.XXX ±0.10					RIGHT ANGLE SOLDER HEADER	
				angles	0° ±2°		product family		PwrBlade	code	
				dr	L-1V	02-04-98	size		dwg no	sheet	
				enrg	J.BROWN	02-04-98	scale		51219	4	
				chr	J.BROWN	02-04-98	A				
				appd	J.BROWN	02-04-98	1:1				
sheet index	revision sheet										

cage code 22526

Pro/E