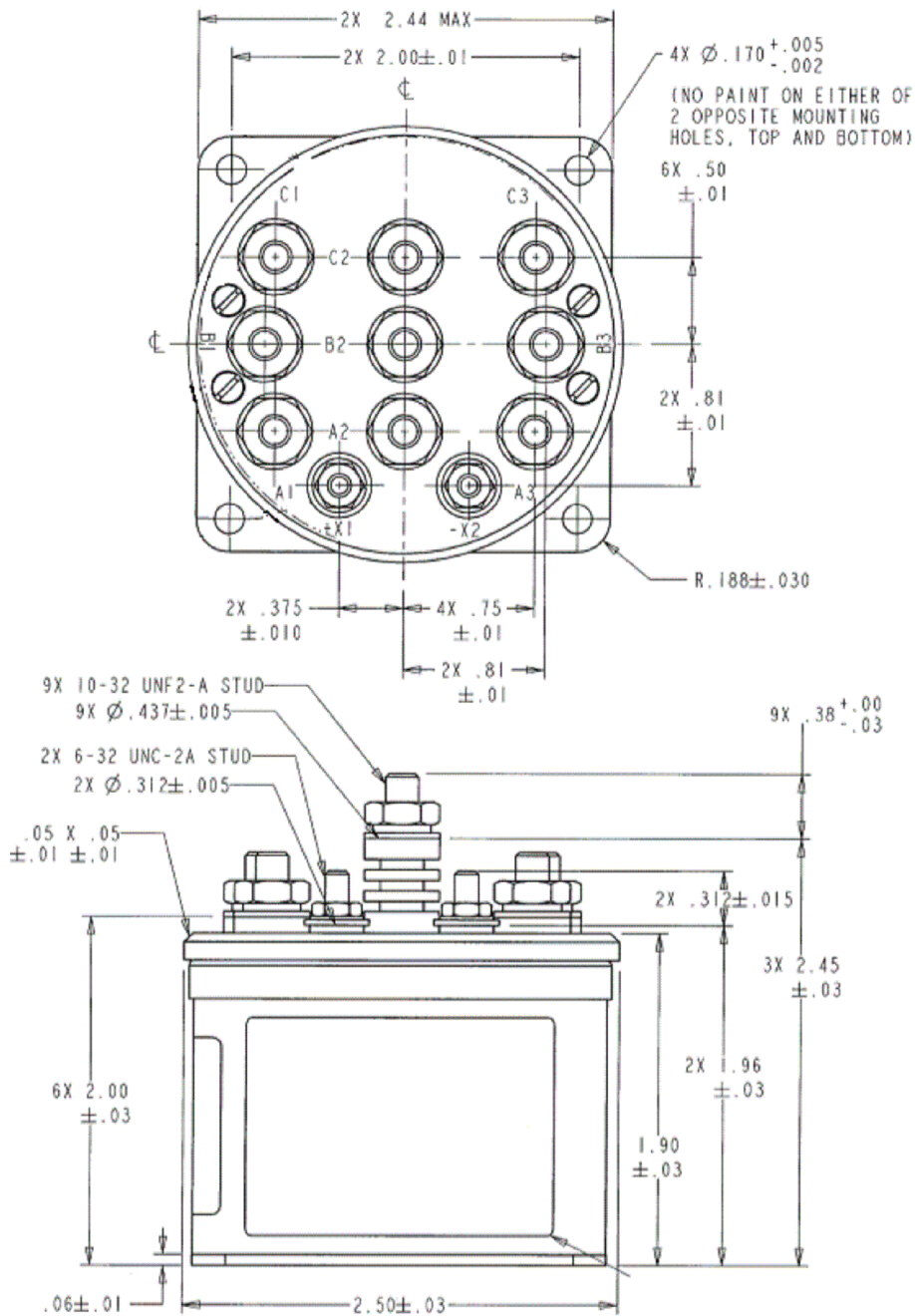


D7CF
 STARTER CONTACTOR-3PDT
 245 AMP, 28 VDC

REVISIONS

REV.	ECO	DESCRIPTION	DATE	APPROVED
C	15-005578	ADD ITEM 10, HS LABEL	10APR2015	ACH



ALL DIMENSIONS ARE IN INCHES



TE CONNECTIVITY
 175 N, DIAMOND STREET MANSFIELD,
 OHIO 44902

TITLE

STARTER CONTACTOR-3PDT
 245 AMP, 28 VDC

TE P.N.

5-1616982-4

DWG NO.

D7CF

DS

DATA SHEET

CAGE CODE
 74063

SCALE
 NONE

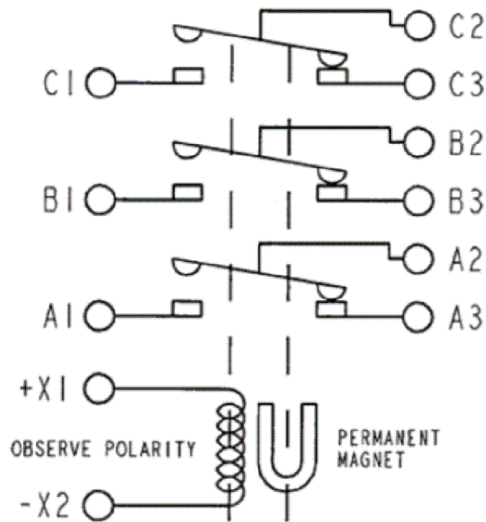
SHEET
 1 OF 2

REV
 C

GENERAL SPECIFICATION

CONSTRUCTION	GASKET SEALED
CONFIGURATION	3PDT
CONTACT RATING	245 A, 28 VDC CARRY ONLY INTERMITTENT DUTY 30 SEC PER THROW, THEN 5 MIN OFF
COIL RATING	28 VDC / 126 OHMS $\pm 10\%$
MIN OPER AMBIENT TEMP	-55° C
MAX OPER AMBIENT TEMP	+85° C
ELECTRICAL LIFE	30,000 CYCLES
WEIGHT	14 OZ MAX

SCHEMATIC



TE
TE CONNECTIVITY
175 N, DIAMOND STREET MANSFIELD,
OHIO 44902

TITLE

STARTER CONTACTOR-3PDT
245 AMP, 28 VDC

TE P.N.

5-1616982-4

DWG NO.

D7CF

DS

DATA SHEET

CAGE CODE
74063

SCALE
NONE

SHEET
2 OF 2

REV
C