

THIS DRAWING IS UNPUBLISHED.

RELEASED FOR PUBLICATION

,19

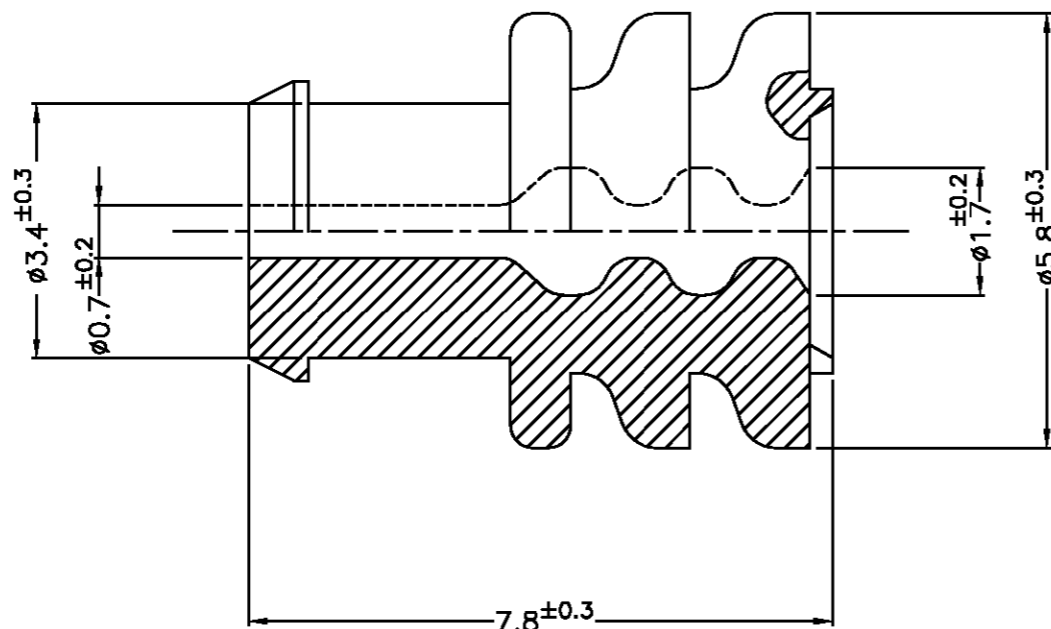
© COPYRIGHT 19

BY AMP INCORPORATED. ALL RIGHTS RESERVED.

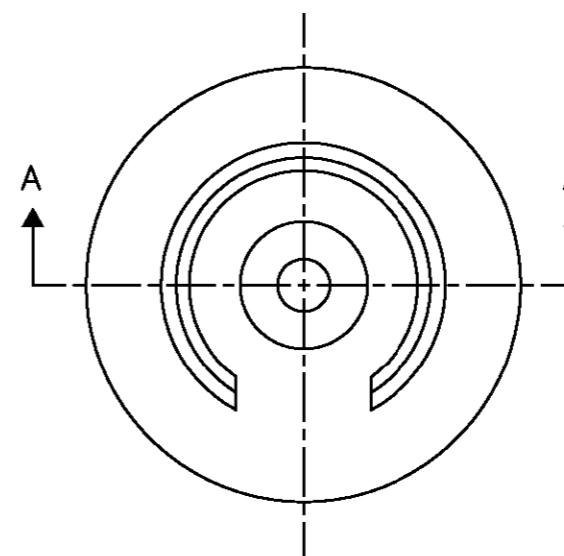
LDC DS

REVISIONS

P	LTR	DESCRIPTION	DATE	DVN	APVD
	0	RELEASED(FC00-0020-00)	29/FEB '00	YD	CS
	A	REVISED(FC00-0068-00)	31/MAY '00	YD	CS



SECTION A-A



NOTE :

P/N	MATERIAL	COLOR	HARNESS	INSULATION ϕ
368932-1	SILICONE	BLUE	Ⓐ 45 ± 5°	ϕ 1.2-2.1mm

THIS DRAWING IS A CONTROLLED DOCUMENT FOR AMP INCORPORATED. IT IS SUBJECT TO CHANGE AND THE CONTROLLING ENGINEERING ORGANIZATION SHOULD BE CONTACTED FOR THE LATEST REVISION.

DIMENSIONS: MM		TOLERANCES UNLESS OTHERWISE SPECIFIED:		DWN		AMP KOREA. kyungsan, korea	
 3rd ANGLE PROJECTION		0<XX<10 ± 0.2 10<XX<30 ± 0.25 30<XX<100 ± 0.3 ANGLES ± 3°		CHK		NAME NEW WIRE SEAL FOR JPT (TYPE I)	
				APVD			
MATERIAL		FINISH		PRODUCT SPEC		DRAWING NO	
				APPLICATION SPEC		C- 3 6 8 9 3 2	
				WEIGHT 0.14 g		SIZE A3	
						CAGE CODE 00779	
						SCALE 10/1 SHEET 1 OF 1 REV A	