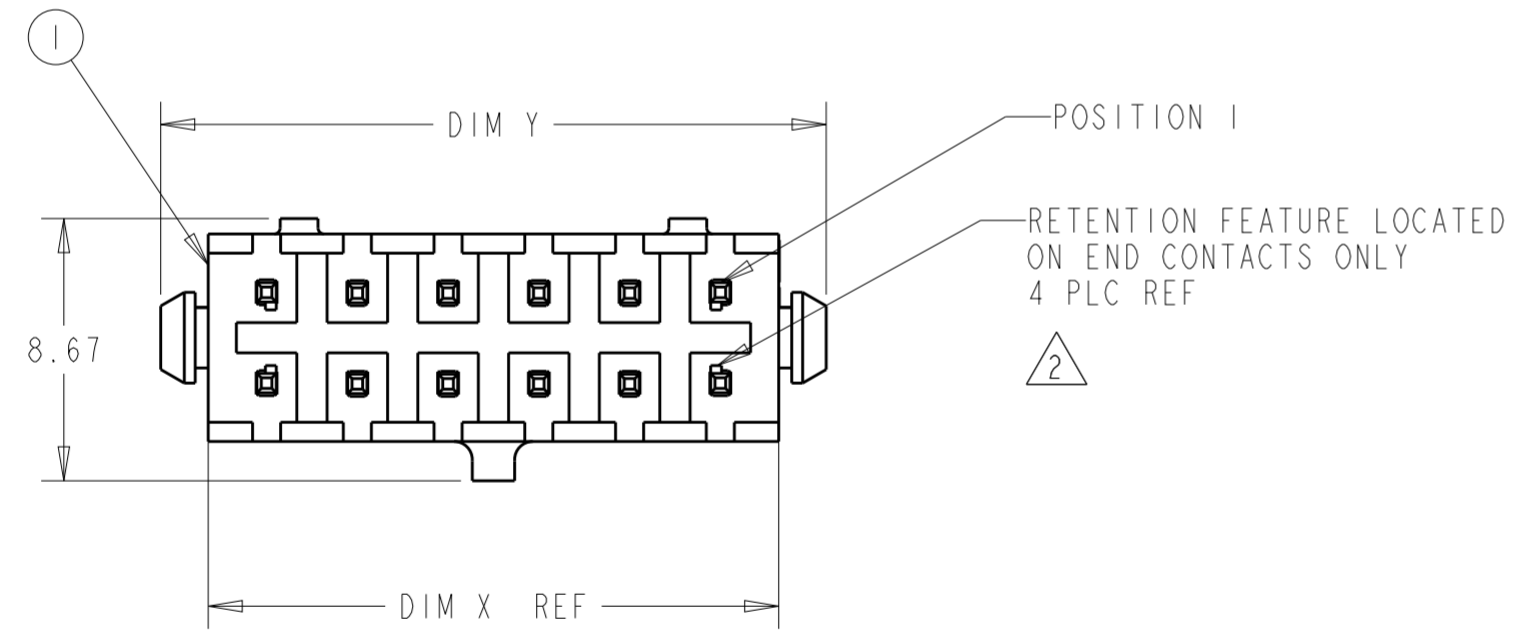
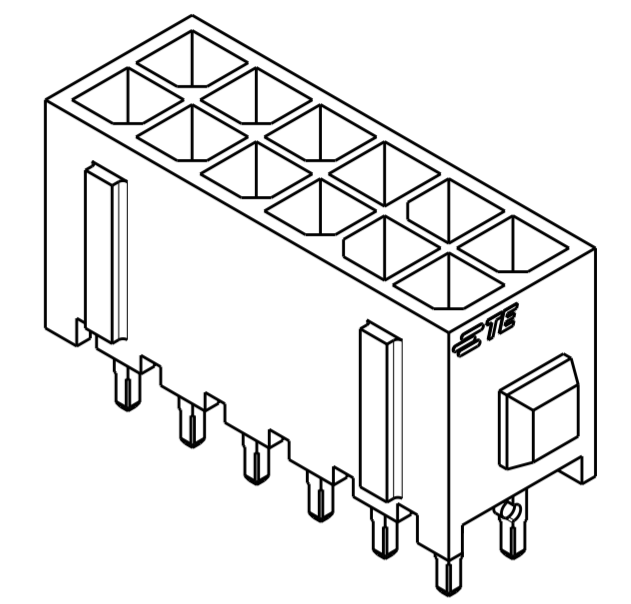
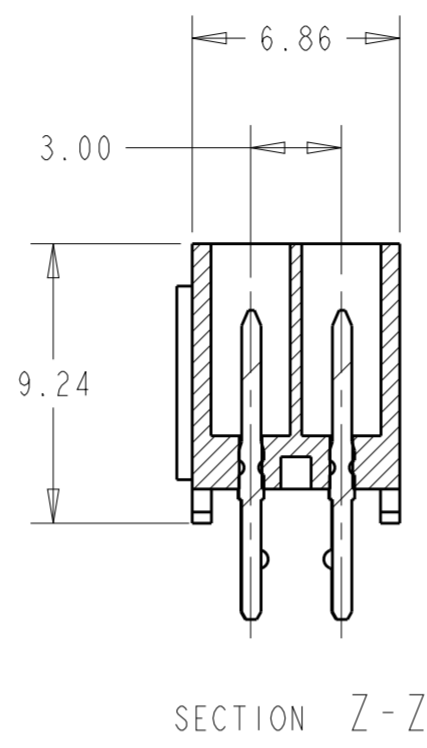
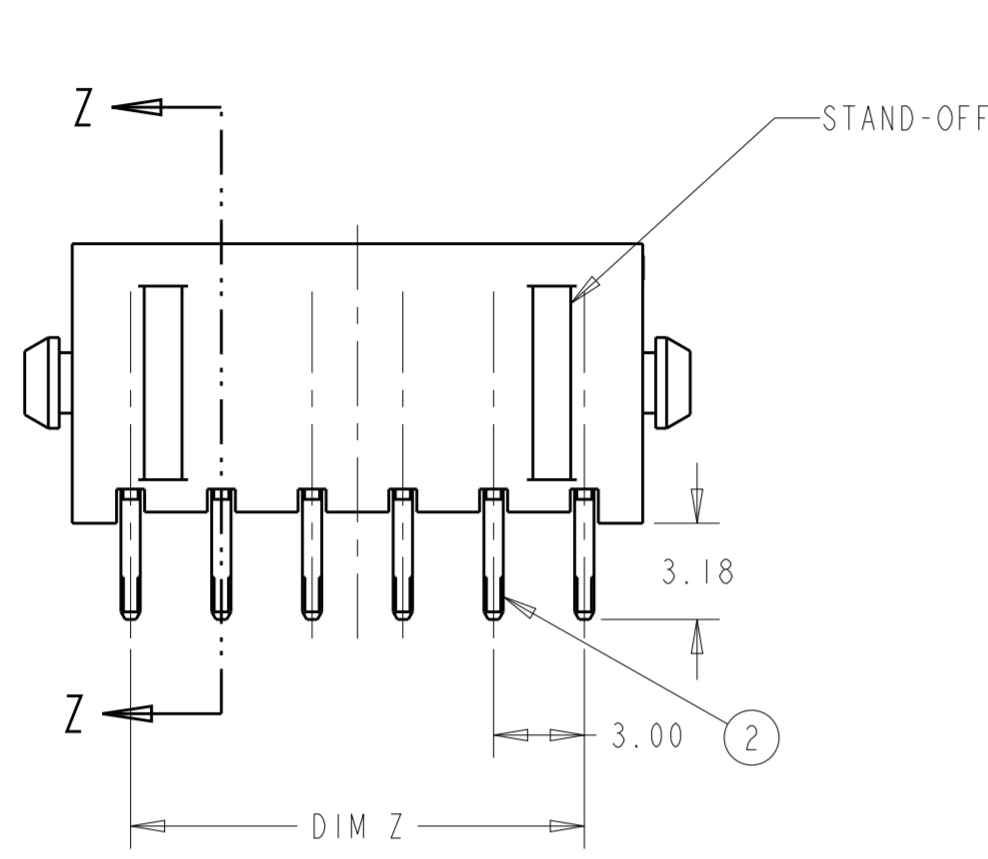


THIS DRAWING IS UNPUBLISHED. RELEASED FOR PUBLICATION  
 © COPYRIGHT 20 ALL RIGHTS RESERVED.

LOC	DIST	REVISIONS					
CM	00	P	LTR	DESCRIPTION	DATE	DWN	APVD
		B		REVISED PER ECO-15-005485	28JULY2015	SC	DZ
		B1		ECO-19-006934	13MAY2019	AP	WS
		B2		REVISED PER ECN-20-100750	10DEC2020	WLS	VS



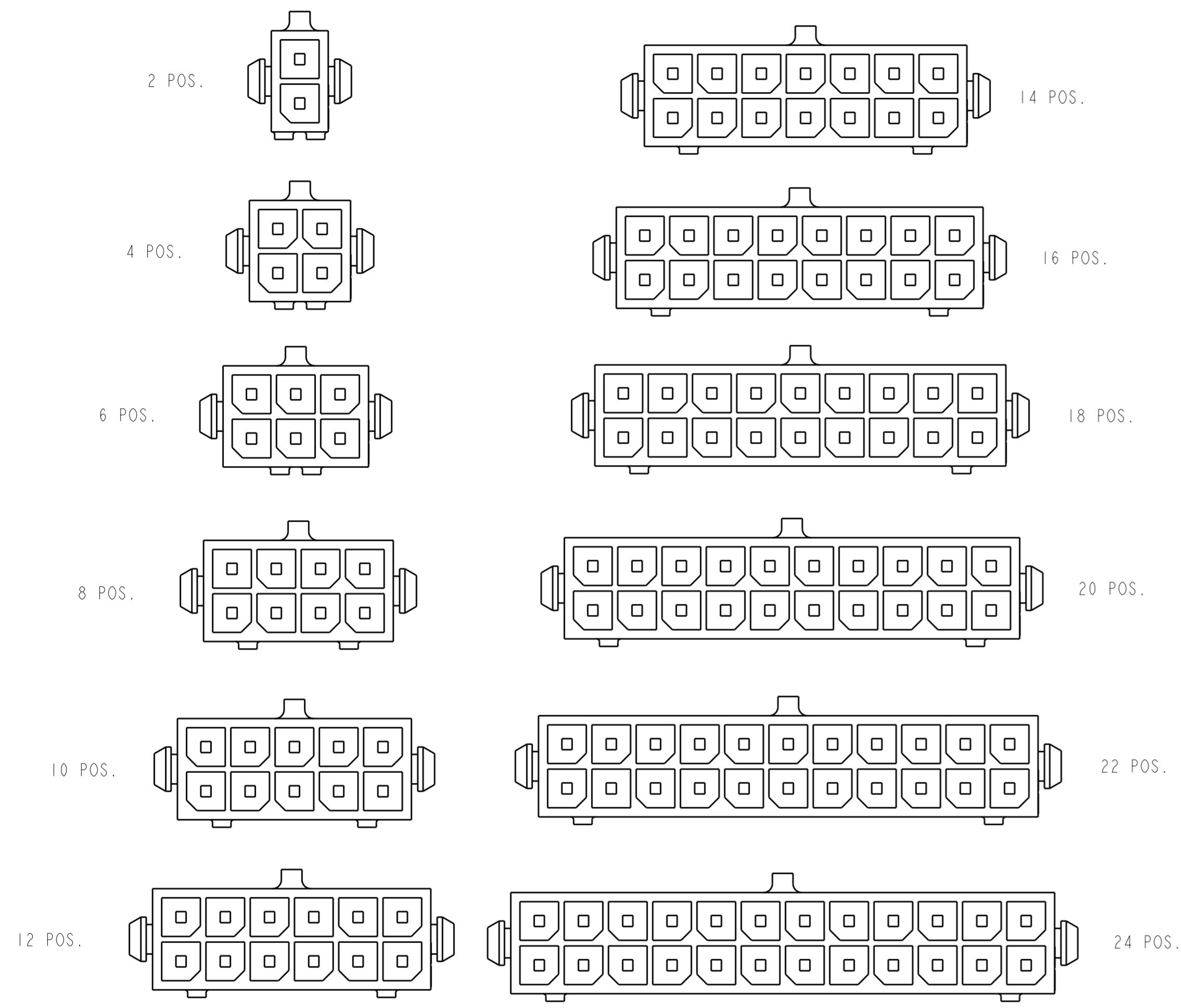
- 1 MATERIAL: HOUSING - UL 94V-0 RATED HIGH TEMP., NYLON, COLOR BLACK.  
CONTACT - BRASS.
- 2 MAXIMUM INSERTION 30 LBS.
- 3 RECOMMENDED BOARD THICKNESS 1.57.
- 4 FINISHING: CONTACT - 2.54µm MINIMUM TIN OVER 1.27µm MINIMUM NICKEL.
- 5 COUNTERPART RECOMMENDED IS PN 794617 (DASH ACCORDING TO NUMBER OF POSITION).
- 6 FOR REELING DIRECTION AND PACKAGING TYPE, SEE SPECIFICATION 114-13000.

22.00	15.00	18.86	12	2029304-1
DIM Y	DIM Z	DIM X	NO. OF POSN.	ASSEMBLY

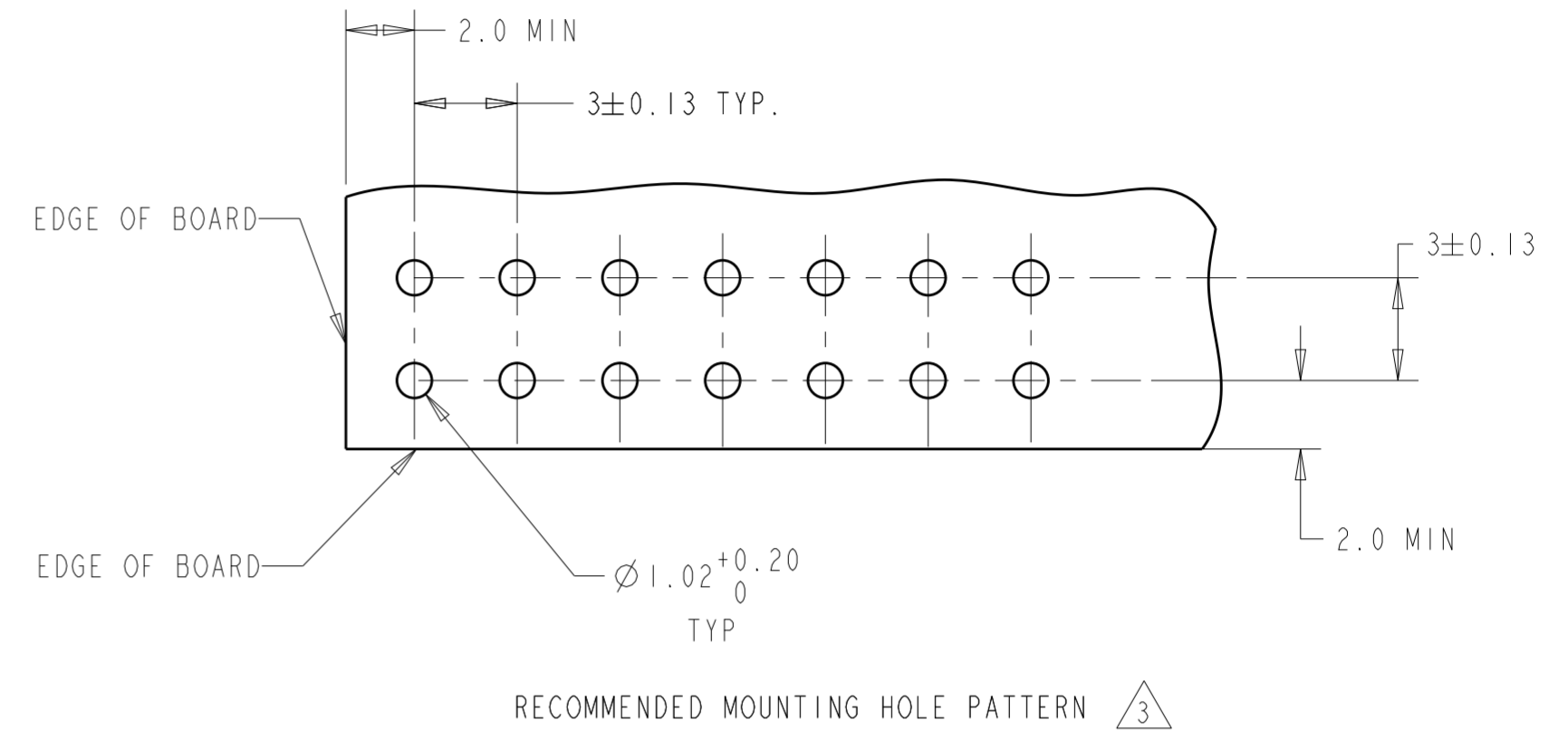
THIS DRAWING IS A CONTROLLED DOCUMENT.		DWN RAGHAVENDRA 05APR2010	TE Connectivity	
DIMENSIONS: mm [ INCHES ]		CHK M. SARVER 05APR2010		
TOLERANCES UNLESS OTHERWISE SPECIFIED:		APVD M. SARVER 05APR2010	NAME VERTICAL HEADER ASSEMBLY, THRU HOLE, TIN, DUAL ROW, MICRO MATE-N-LOK(TM)	
0 PLC ± 1 PLC ± 2 PLC ±0.20 [ .008 ] 3 PLC ± 4 PLC ± ANGLES ±1° FINISH		PRODUCT SPEC 108-1836	SIZE A2	
MATERIAL 1 - 4		APPLICATION SPEC 114-13000	CAGE CODE 00779	DRAWING NO. C-2029304
CUSTOMER DRAWING		WEIGHT -	RESTRICTED TO -	SCALE 4:1
			SHEET 1 OF 2	REV B2

THIS DRAWING IS UNPUBLISHED. RELEASED FOR PUBLICATION  
 © COPYRIGHT 20 ALL RIGHTS RESERVED.

LOC	DIST	REVISIONS					
CM	00	P	LTR	DESCRIPTION	DATE	DWN	APVD
		-		SEE SHEET 1			



KEYING BY POSITION SIZE



THIS DRAWING IS A CONTROLLED DOCUMENT.		DWN RAGHAVENDRA 05APR2010	TE Connectivity	
DIMENSIONS: mm [ INCHES ]		CHK M. SARVER 05APR2010		
TOLERANCES UNLESS OTHERWISE SPECIFIED:		APVD M. SARVER 05APR2010	NAME VERTICAL HEADER ASSEMBLY, THRU HOLE, TIN, DUAL ROW, MICRO MATE-N-LOK(TM)	
0 PLC ± 1 PLC ± 2 PLC ±0.20 [ .008 ] 3 PLC ± 4 PLC ± ANGLES ±1° FINISH		PRODUCT SPEC 108-1836	SIZE A2	CAGE CODE 00779
MATERIAL		APPLICATION SPEC 114-13000	DRAWING NO C-2029304	RESTRICTED TO
		WEIGHT	SCALE 4:1 SHEET 2 OF 2 REV B2	
		CUSTOMER DRAWING		