

4

3

2

1

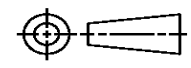
THIS DRAWING IS UNPUBLISHED. RELEASED FOR PUBLICATION
 © COPYRIGHT ALL RIGHTS RESERVED.

LOC	DIST	REVISIONS			
P	LTR	DESCRIPTION	DATE	DWN	APVD
	A1	ECR-16-009824	28JUL2016	GK	SD

REPLACED BY OCEAN STYLE APPLICATOR PART NUMBER 2836300-2

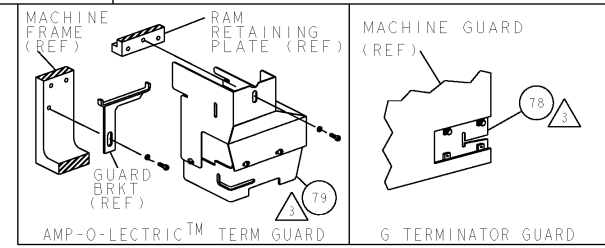
FOR REPLACEMENT PARTS FOR APPLICATOR 1855354
 REFER TO ADDITIONAL PAGE(S). SPARE PARTS KIT (IF LISTED)
 WILL REMAIN AVAILABLE.

THE REPLACEMENT OCEAN STYLE APPLICATOR HAS THE
 SAME TERMINATOR/PRESS INTERFACE AS APPLICATOR
 1855354

THIS DRAWING IS A CONTROLLED DOCUMENT.		DWN	GOPALAKRISHNA HV		
DIMENSIONS:		CHK	GOPALAKRISHNA HV		
		TOLERANCES UNLESS OTHERWISE SPECIFIED:		APVD	
		0 PLC ± 1 PLC ± 2 PLC ± 3 PLC ± 4 PLC ± ANGLES ±		STOUGH DALE	
MATERIAL		PRODUCT SPEC		NAME	
FINISH		APPLICATION SPEC		FINE ADJUST END FEED HDM APPLICATOR	
		WEIGHT	SIZE	CAGE CODE	DRAWING NO
			A3		©- 1855354
		CUSTOMER DRAWING		SCALE	SHEET 1 OF 2 REV A1



PART NUMBER	REV	FIRST USED	POWER UNIT	FEED TYPE
1855354-1	A	122500-1	LEADMAKER & BENCH MODEL G	POST FEED
1855354-2	A	565435-5	BENCH MODEL K	POST FEED
7-1855354-7	A	-	SPARE PARTS	-

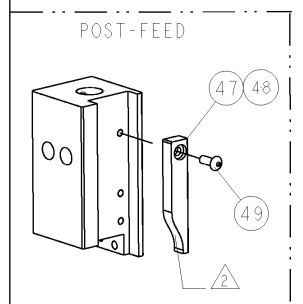
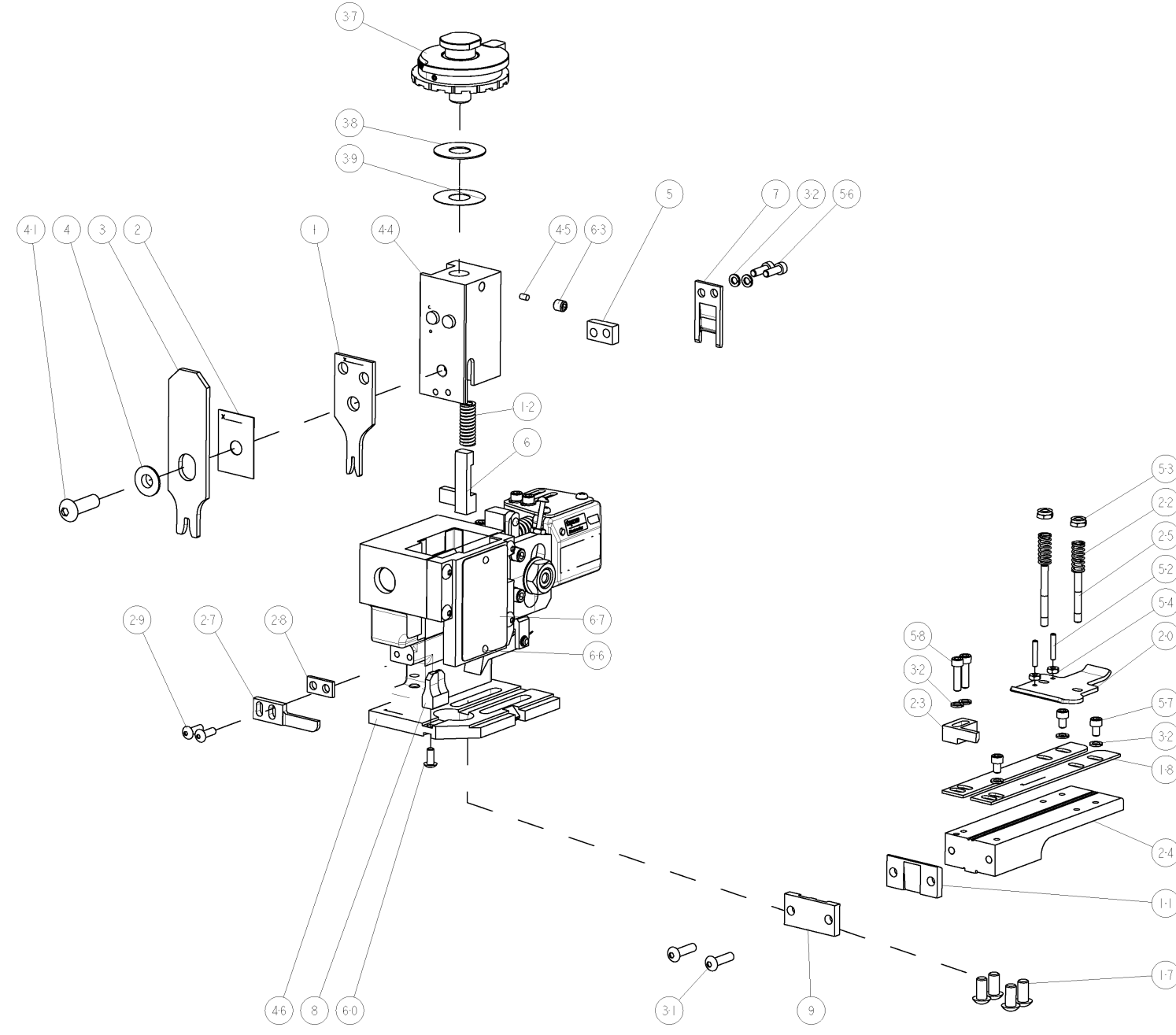


TERMINAL NAME: RECEPTACLE POSITIVE-LOCK, .187 SERIES					
TE PN	CRIMP HEIGHT	WIRE SIZE	REF SETTING*		
63407	-	-	-		
63196	-	-	-		
1742114	1.04±0.05mm [.041±.002]	20AWG	C0		
-	0.97±0.05mm [.038±.002]	22AWG	C5		
-	0.89±0.05mm [.035±.002]	24AWG	D2		
-	-	-	-		
CRIMP	SIZE	TYPE	RANGE		
-	1.78mm [.070]	F	24-20 AWG		
-	3.56mm [.140]	F	1.52-2.79mm		
WIRE STRIP LENGTH	TERM APPL SPEC	FEED	APPL INSTRUCTIONS	SET UP GAGE	
3.68-4.45mm	114-2074	20.70mm	408-8039	458638-1	

LOC	DIST	REVISIONS			
REV	DATE	BY	CHK	APPV	
1	11/04/2007	C.C	T.B		
A	28DEC2007	MEH	TE		

- 1 RECOMMENDED SPARE PARTS
- 2 GREASE LIGHTLY
- 3 GUARD MUST BE IN PLACE WHEN OPERATING APPLICATOR IN A BENCH MACHINE

***WARNING:**
ON INSTALLATION, SET WIRE DISC TO LARGEST WIRE SIZE SETTING. USE OF SETTINGS BELOW MIN REQUIRED CRIMP HEIGHT SETTING WILL CAUSE DAMAGE TO CRIMP TOOLING.



REF	QTY	PART NO	DESCRIPTION	ITEM NO
-	-	455745-1	GUARD WINDOW	79
-	-	679532-1	INSERT, GUARD	78
-	1	217238-1	GENERAL INSTRUCTION PKG	72
-	1	4088039	EF APPL INST 408-8039	71
-	1	461264-5	PLATE, IDENTIFICATION	67
-	2	21017-2	SCREW, DRIVE	66
-	1	21009-2	SCR, SET, SELF LOCKING 1/4-20 X .250	63
-	1	22733-8	SCR, BHSC, SELF-LOCKING, 8-32 X .375	60
-	2	2-21000-8	SCR, SKT HD CAP 8-32 X .625	58
-	3	2-21000-5	SCR, SKT HD CAP 8-32 X .250	57
-	2	2-21000-7	SCR, SKT HD CAP 8-32 X .500	56
-	2	21018-4	NUT, HEX, REG 4-40	54
-	2	21022-2	NUT, LOCK, HEX, TORQUE, 8-32	53
-	2	2-21006-6	SCR, SET, CUP POINT 4-40 X .625	52
-	1	1-21002-7	SCR, BTN SKT CAP 6-32 X .375	49
-	1	690501-3	CAM, POST FEED, 1 1/8	48
-	1	690501-4	CAM, POST FEED, 1 5/8	47
-	1	458980-1	SUB ASSY, APPLICATOR FRAME	46
-	1	690191-1	PLUG, NYLON	45
-	1	455674-1	RAM	44
-	1	7-21002-9	SCR, BTN SKT HD CAP 5/16-24 X 1.00	41
-	1	690125-1	SHIM SUB-ASSY	39
-	1	469367-8	SHIM	38
-	1	879103-3	FINE ADJUST HEAD ASSEMBLY	37
-	7	21024-4	WASHER, SPRG LOCK, REG NO 8	32
-	2	2-21002-9	SCR, BTN SKT HD CAP 10-32 X .750	31
-	2	2-21002-2	SCR, BTN SKT HD CAP 8-32 X .500	29
-	1	1-690451-1	SPACER, STRIPPER	28
-	1	240639-1	STRIPPER (MACHINING)	27
-	2	22354-8	STUD, THREADED	25
-	1	804823-3	PLATE, STRIP GUIDE	24
-	1	240825-2	PLATE, STRIP HOLD DOWN	23
-	2	4-22281-1	SPRING, DRAG	22
-	1	454177-1	DRAG	20
-	2	454204-1	GUIDE, LOWER STRIP	18
-	4	3-21002-3	SCR, BTN SKT HD CAP 1/4-20 X .500	17
-	1	23846-1	SPRING, DIE	12
-	1	240833-1	PLATE, REAR SHEAR	11
-	-	-	-	10
-	1	690482-5	PLATE, FRONT SHEAR	9
-	1	2-683452-8	ANVIL, COMBINATION	8
-	1	690474-5	BLADE, SLUG	7
-	1	5-455892-0	HOLD DOWN, TERMINAL	6
-	1	1-240641-4	SPACER	5
-	1	238009-1	BLOCK, FL CRIMPER SPACER	4
-	1	1-456134-4	CRIMPER, INSULATION F PREMIUM	3
-	1	455888-4	SPACER, CRIMPER	2
-	1	3-456404-0	CRIMPER, WIRE PREMIUM	1

DIMENSIONS: INCHES		TOLERANCES UNLESS OTHERWISE SPECIFIED:		OWN: C. CHEN 11-DEC-07		Tyco Electronics Harrisburg, PA 17105-3608	
0 PLC	±.01	1 PLC	±.005	CHK: W. HERR 17DEC2007	NAME: FINE ADJUST END FEED HDM APPLICATOR		
2 PLC	±.001	2 PLC	±.0001	APPR: N. DEMING 17DEC2007	PRODUCT SPEC: -		
3 PLC	±.0001	3 PLC	±.00001	APPLICATION SPEC: -			
4 PLC	±.00001	4 PLC	±.000001	MATERIAL: -			
FINISH: -				WEIGHT: -			
CUSTOMER DRAWING				SCALE: 3:5 SHEET 1 OF 1 REV A			

CUSTOMER VIEWABLE ASSEMBLY