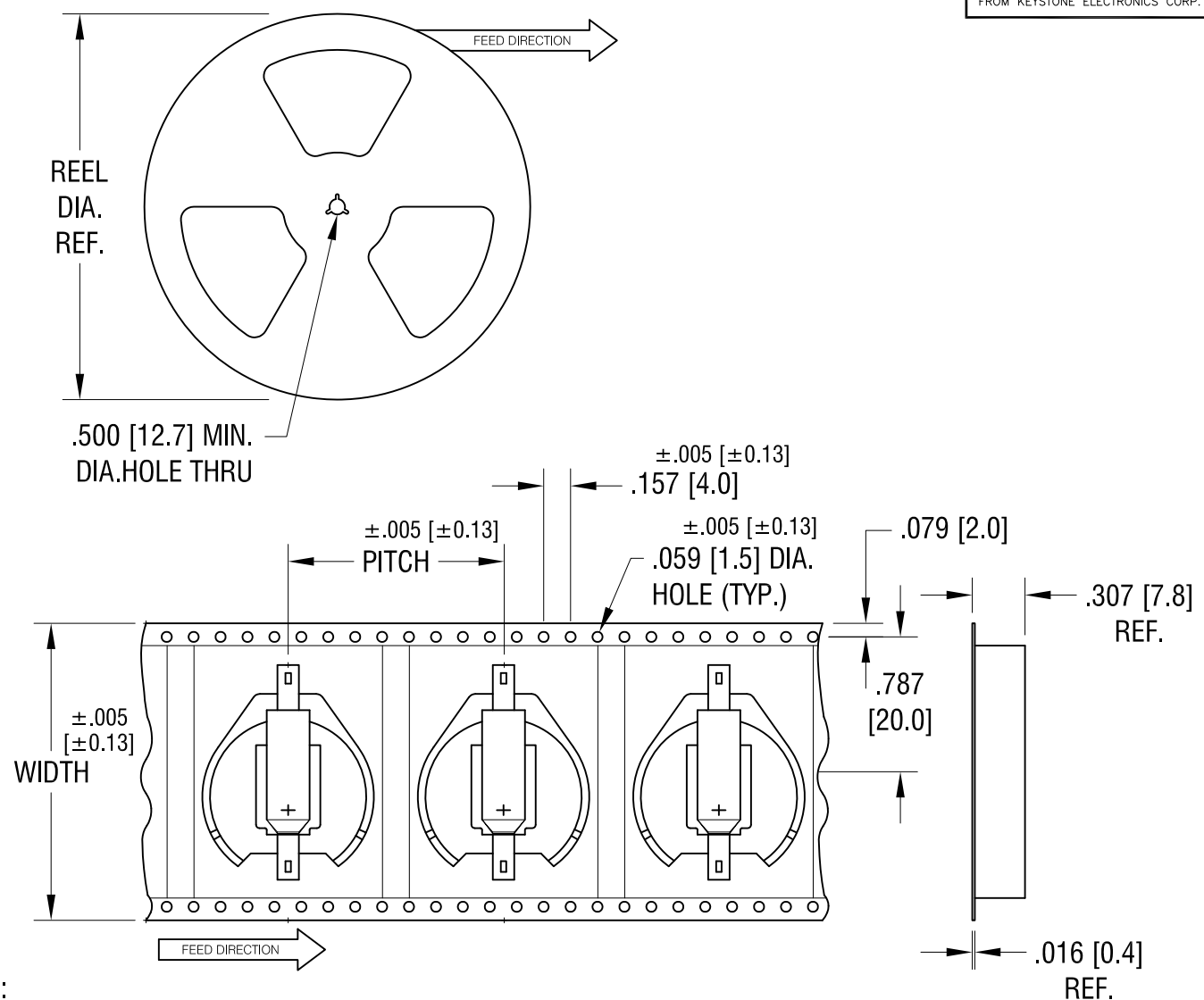


THIS DOCUMENT IS THE PROPERTY OF KEYSTONE ELECTRONICS CORP. AND SHALL NOT BE REPRODUCED, DISTRIBUTED OR USED AS A BASIS FOR MANUFACTURE WITHOUT PRIOR WRITTEN PERMISSION FROM KEYSTONE ELECTRONICS CORP.



NOTES:

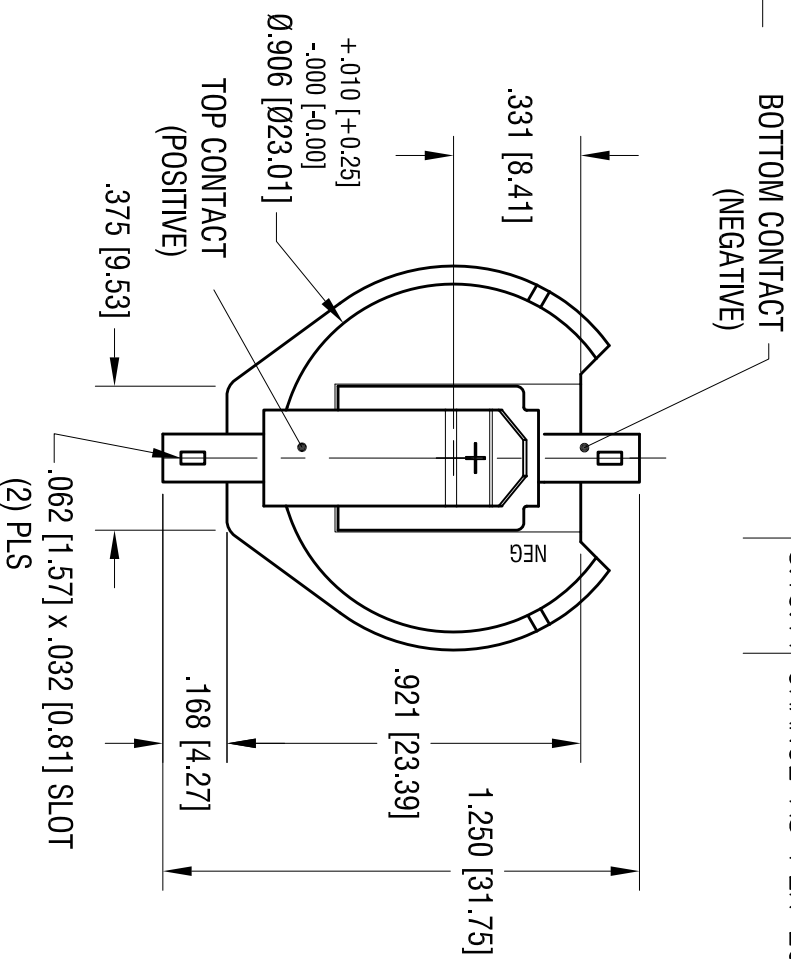
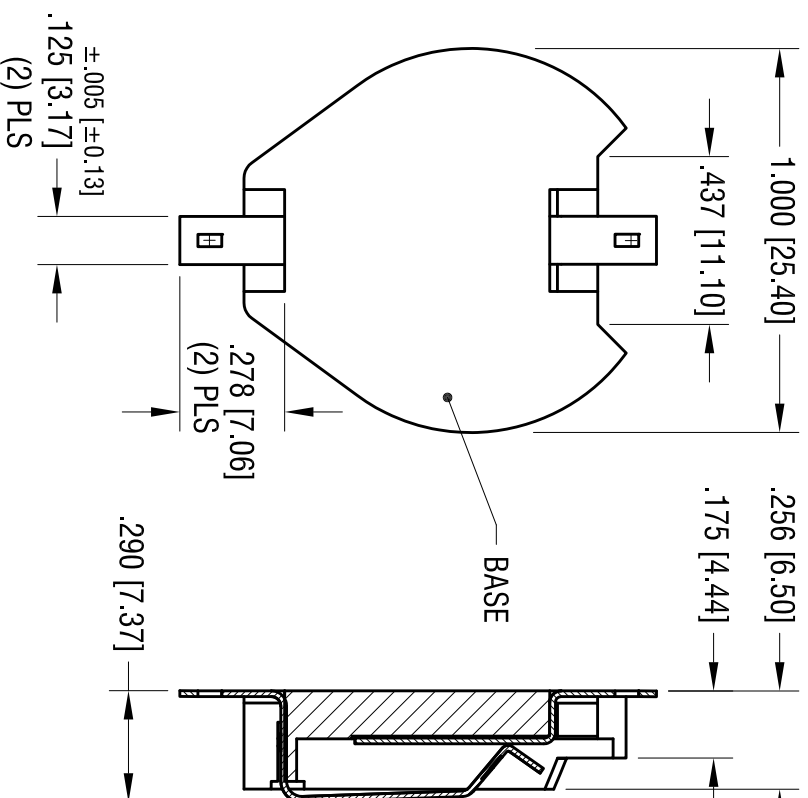
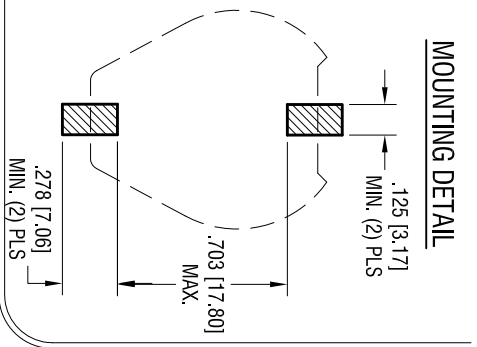
TAPE AND REEL SPECIFICATIONS:

- 1. TAPE:
 MAT'L - ALL CONDUCTIVE POLYSTYRENE CARRIER
 ANSI/EIA-481 STANDARD
 1.732 [44.0] WIDE; 1.260 [32.0] PITCH
- 2. REEL:
 13.0 [330.2] DIA. 200 PIECES OF
 PART NO. 1073 PER REEL.

KEYSTONE ELECTRONICS CORP.			
www.keyelco.com • ASTORIA, N.Y. 11105-2017 • Tel (718) 956-8900			
PART NAME			
23mm SM COIN CELL HOLDER ON TAPE			
MATERIAL			
AS NOTED			
FINISH		DRN BY	DATE
AS NOTED		BOONE	5.2.00
		APP'D	SCALE
		LN	X
TOLERANCES	INCH [MM]	CODE	DWG NO.
DECIMAL	± .015 [± 0.38]	C	1073TR
ANGULAR	± 1°		
UNLESS OTHERWISE SPECIFIED			

6.19.07	CHANGE AS PER ECN 07-038	A
DATE	DESCRIPTION	REV.

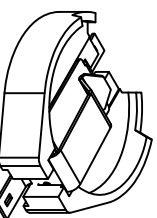
MOUNTING DETAIL



DATE	DESCRIPTION	REV.
9.17.04	CHANGE AS PER ECN 04-109	D
7.28.08	CHANGE AS PER ECN 08-133	E
7.05.11	CHANGE AS PER ECN 11-091 SPLIT C/M TO 'C' AND 'M'	F
8.15.11	CHANGE AS PER ECN 11-106	G

NOTES:

1. BASE:
MAT'L - HIGH TEMPERATURE NYLON (UL 94V-0)
COLOR BLACK
2. CONTACTS (TOP AND BOTTOM):
MAT'L - .015 [0.38] THK SPRING STEEL
FINISH: TIN NICKEL PLATE



ACTUAL SIZE

THIS DOCUMENT IS THE PROPERTY OF KEYSTONE ELECTRONICS CORP. AND SHALL NOT BE REPRODUCED, DISTRIBUTED OR USED AS A BASIS FOR MANUFACTURE OF ANY OTHER ELECTRICAL COMPONENTS FROM KEYSTONE ELECTRONICS CORP. UNLESS OTHERWISE SPECIFIED.

KEYSTONE ELECTRONICS CORP.			
www.keystec.com • ASTORIA, N.Y. 11105-2017 • Tel (718) 956-8900			
PART NAME		23mm BATTERY HOLDER, SMT	
MATERIAL		AS NOTED	
FINISH		AS NOTED	
TOLERANCES	INCH	[MM]	CODE
DECIMAL	± .010	[± 0.25]	C
ANGULAR	± 1°		
UNLESS OTHERWISE SPECIFIED			
DRN BY	BOONE	DATE	11.18.96
APP'D	LN	SCALE	2X
		DWG NO.	1073