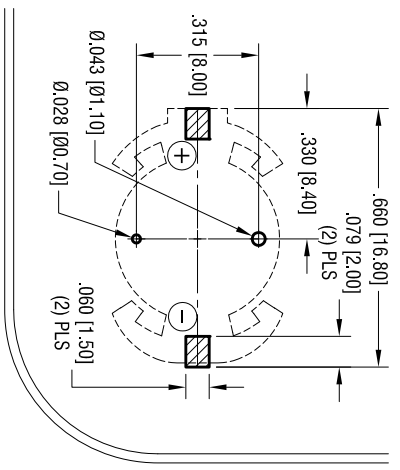
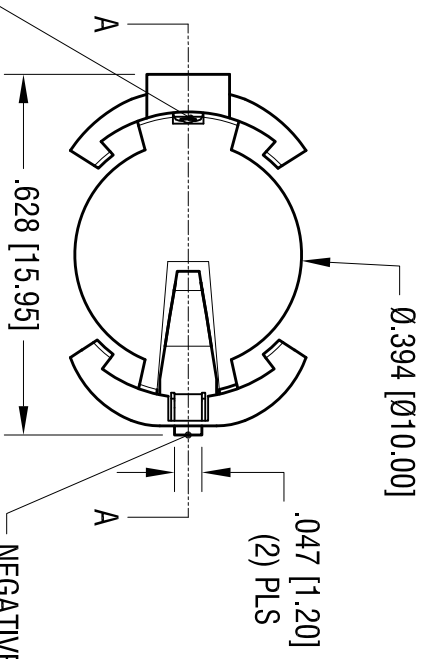


DATE	DESCRIPTION	REV.
9.18.20	CHANGE AS PER ECN 20-083 WAS 700 PCS PER 13" REEL	A
4.20.21	CHANGE AS PER ECN 21-038 WAS 1020 PCS PER REEL	B

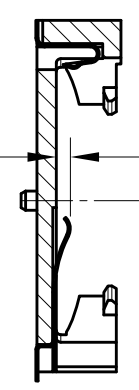
ACTUAL SIZE



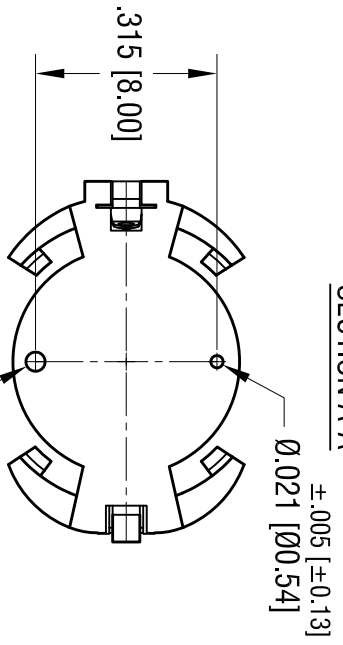
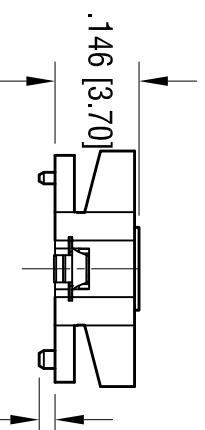
POSITIVE CONTACT



NEGATIVE CONTACT



SECTION A-A

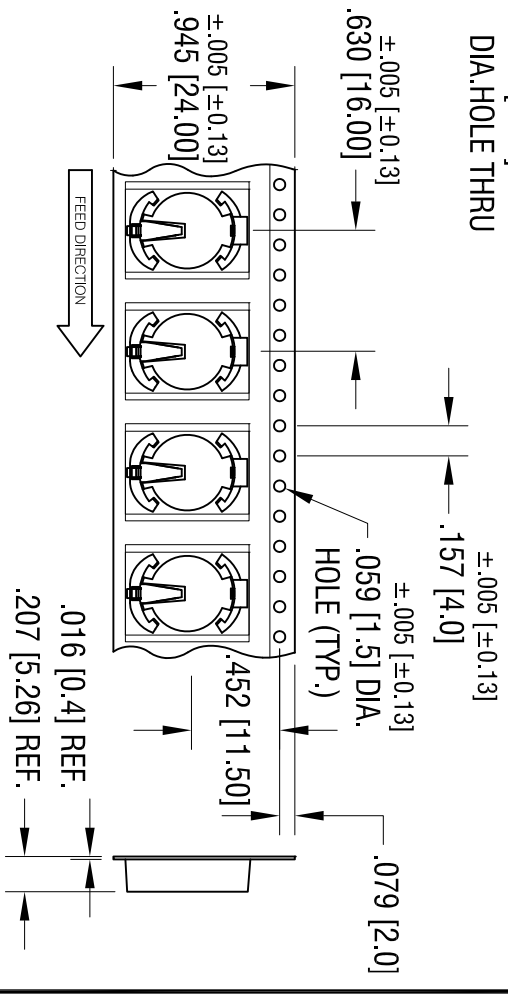
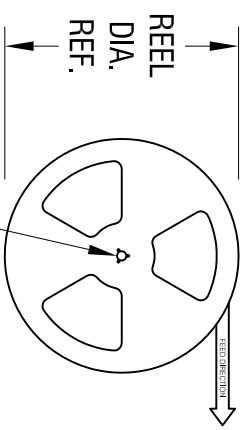


NOTES:
TAPE AND REEL SPECIFICATIONS:

1. TAPE:
MAT'L - ALL CONDUCTIVE POLYSTYRENE CARRIER
ANSI/EIA-481 STANDARD
2. REEL:
15.0 [380.8] DIA. 1000 PIECES OF
PART NO. 1072 PER REEL.

HOLDER SPECIFICATIONS:

1. HOUSING: MAT'L- PLASTIC PA9T, BLACK
2. CONTACTS: MAT'L- PHOSPHOR BRONZE
FINISH: CONTACT AREA- GOLD FLASH
SOLDER AREA- MATTE TIN PLATE



KEYSTONE ELECTRONICS CORP.

www.keystone.com • NEW HYDE PARK, NY 11040 • Tel (516) 328-7500

PART NAME

BATTERY HOLDER CR1220 / 1225

MATERIAL

AS NOTED

FINISH

AS NOTED

THIS DOCUMENT IS THE PROPERTY OF
KEYSTONE ELECTRONICS CORP. AND
SHALL NOT BE REPRODUCED, DISTRIBUTED
OR USED AS A BASIS FOR MANUFACTURE
WITHOUT PRIOR WRITTEN PERMISSION
FROM KEYSTONE ELECTRONICS CORP.

TOLERANCES	INCH	[MM]	CODE	DWG NO.
DECIMAL	± .010	[± 0.25]	C	
ANGULAR	± 1°			

DRN BY	DATE
NT	5.03.16
App'D	SCALE
RH	1X, 3X

1072TR