

THIS DRAWING IS UNPUBLISHED.

RELEASED FOR PUBLICATION DEC ,2005.

REVISIONS

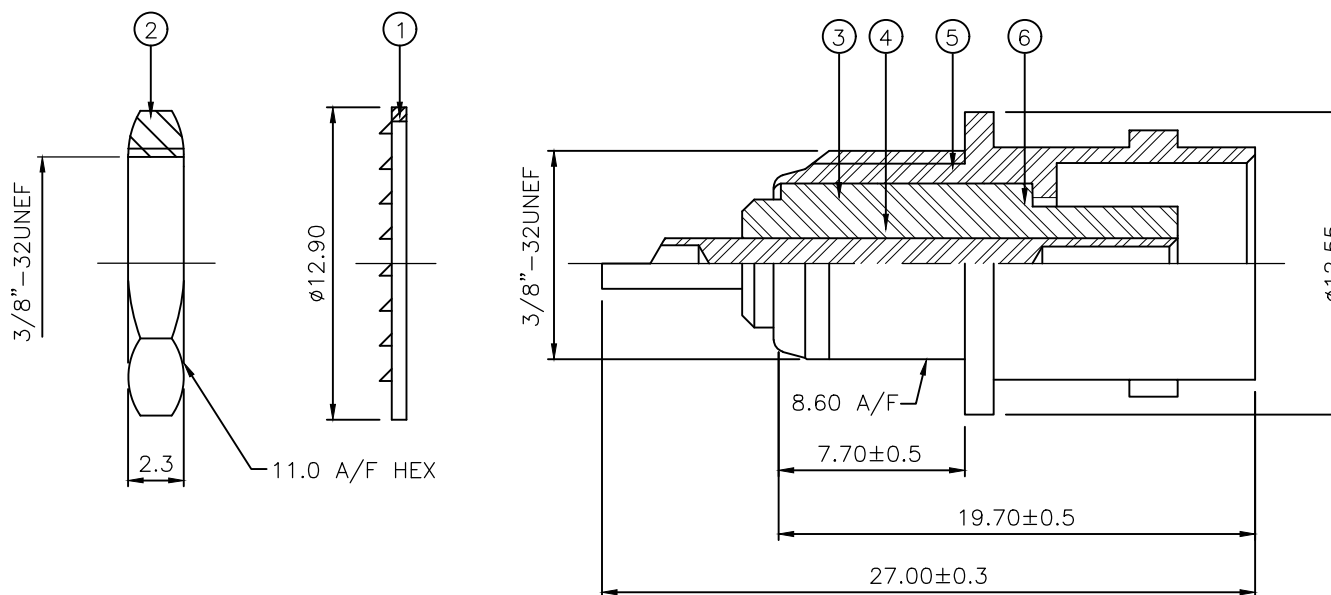
© COPYRIGHT 2005 TE Connectivity Ltd.

ALL RIGHTS RESERVED.


P	LTR	DESCRIPTION	DATE	DWN	APVD
	D	ECR-19-007148	15MAY2019	RZ	RS

NOTES:

- ① PACK IN ACCORDANCE WITH AMP SPEC 107-3275
- ② 100 TRAY PACK IN ACCORDANCE WITH AMP SPEC 107-3275
- ③ Ag PLATING
- 4 ELECTRICAL CHARACTERISTICS
 - FREQUENCY RANGE: DC - 4 GHz
 - NOMINAL IMPEDANCE: 50 Ohm
 - INSULATION RESISTANCE: 5000 MOhm
 - WORKING VOLTAGE: 500 Volts RMS at Sea Level
 - DIELECTRIC WITHSTAND VOLTAGE: 1500 Volts RMS Max
 - CONTACT RESISTANCE:
 - CENTRE CONTACT: 1.50 mOhm Max
 - OUTER CONTACT: 0.20 mOhm Max
 - VSWR @ xGHz: N/A
 - INSERTION LOSS xdb: N/A
- 5 MECHANICAL CHARACTERISTICS
 - COUPLING RETENTION FORCE: N/A
 - CABLE RETENTION FORCE: N/A
 - MOUNT NUT RECOMMENDED TORQUE: 2.5N
 - DURABILITY: 500 Cycles Min
- 6 ENVIRONMENTAL CHARACTERISTICS
 - OPERATING TEMPERATURE: -65 to +165 DegC



QTY	QTY	MATERIAL	DESCRIPTION	ITEM
1	1	PTFE	INSULATION	6
1	1	BRASS	③ BODY	5
1	1	BRASS	③ CONTACT	4
1	1	PTFE	INSULATION	3
1	1	BRASS	③ HEX NUT	2
1	1	STEEL	③ LOCKWASHER	1
6--0	1--0	MATERIAL	DESCRIPTION	ITEM
③	③			

THIS DRAWING IS A CONTROLLED DOCUMENT.		DWN J.SANDWELL 13DEC05	 TE Connectivity NAME BNC BULKHEAD SOCKET FRONT MOUNT 50 OHM LESS SOLDER TAG											
DIMENSIONS: mm		CHK S.PARLOW 13DEC05												
TOLERANCES UNLESS OTHERWISE SPECIFIED:		APVD F.WHEELER-KING 13DEC05												
<table border="1"> <tr><td>0 PLC</td><td>± -</td></tr> <tr><td>1 PLC</td><td>± 0.2</td></tr> <tr><td>2 PLC</td><td>± 0.1</td></tr> <tr><td>3 PLC</td><td>± -</td></tr> <tr><td>4 PLC</td><td>± -</td></tr> <tr><td>ANGLES</td><td>± -</td></tr> </table>		0 PLC				± -	1 PLC	± 0.2	2 PLC	± 0.1	3 PLC	± -	4 PLC	± -
0 PLC	± -													
1 PLC	± 0.2													
2 PLC	± 0.1													
3 PLC	± -													
4 PLC	± -													
ANGLES	± -													
MATERIAL SEE TABLE	FINISH -	APPLICATION SPEC -	WEIGHT 0.000000	SIZE A3	CAGE CODE 00779	DRAWING NO C-1337451	RESTRICTED TO -							
CUSTOMER DRAWING				SCALE NTS	SHEET 1 OF 1	REV D								