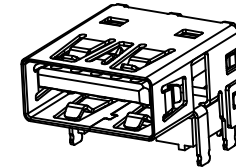
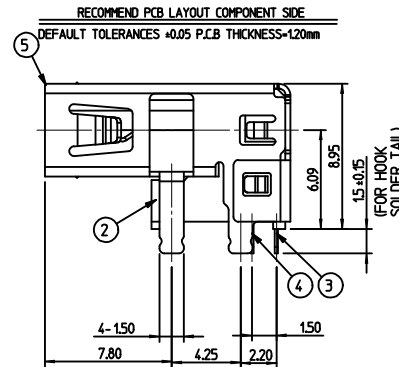
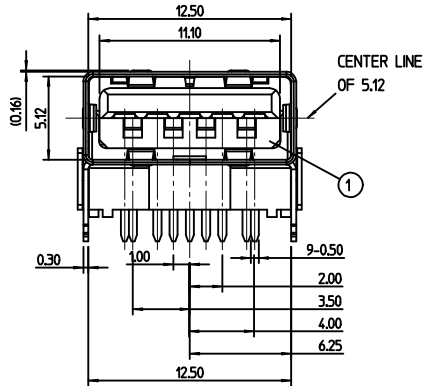


- NOTES:
- MATERIAL:
  - 1.1 HOUSING: THERMOPLASTIC, HIGH TEMP., UL94V-0, COLOR: BLUE
  - 1.2 CONTACT: COPPER ALLOY
  - 1.3 SHELL: STAINLESS STEEL
  2. FINISH:
  - 2.1 CONTACT: PLS. SEE TABLE INFORMATION
  - SOLDER TAIL PLATING: MATT TIN OVER NICKEL
  - UNDERPLATING: NICKEL OVER ALL
  - 2.2 SHELL: NICKEL PLATING OVER ALL
  3. SPEC. PLS. REFER TO PS-48391-001
  4. PACKAGE PLS. REFER TO PK-48391-001
  5. LEAD FREE AND ROHS COMPLIANT PRODUCT
  6. DATE CODE 1 A 08 X X

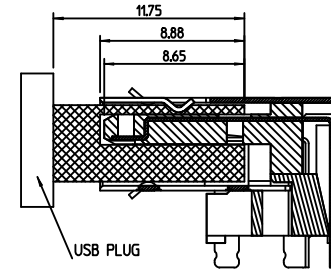
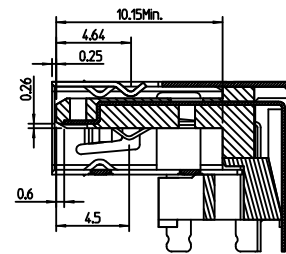
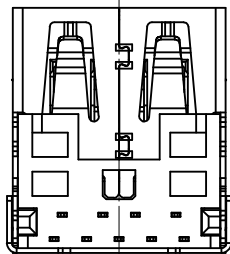
YEAR: 1+2011  
 MONTH: A(JAN), B(FEB)  
 DATE: 8=08

REMARK  
 PRODUCE PLACE



TABLE

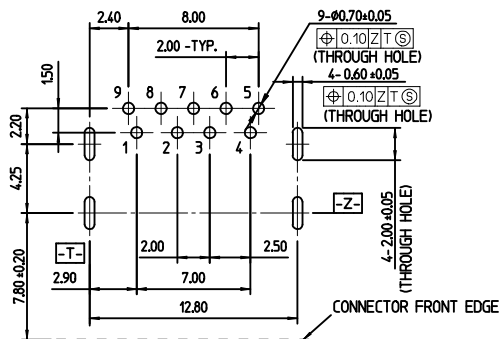
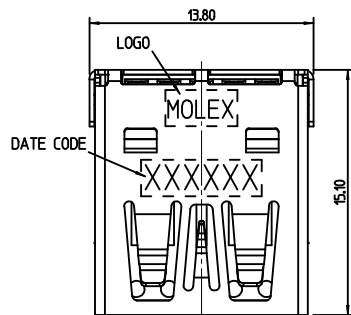
PLATING	MOLEX P/N
30'u GOLD	48391-0001
2u'GOLD&30u'Pd-Ni	48391-0002
15u' GOLD	48391-0003
GOLD FLASH(3u' MIN)	48391-0004



No.	DESCRIPTION	MATERIAL
5	METAL SHELL	STAINLESS STEEL
4	TERMINAL A	COPPER ALLOY
3	TERMINAL B	COPPER ALLOY
2	SPACER	THERMOPLASTIC
1	HOUSING	THERMOPLASTIC

SHELL	SHIELD
9	STDA_SSTX+
8	STDA_SSTX-
7	GND_DRAIN
6	STDA_SSRX+
5	STDA_SSRX-
4	GND
3	D+
2	D-
1	VBUS
PIN NO.	SIGNAL NAME

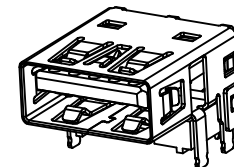
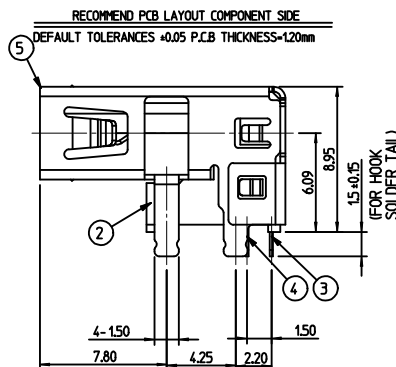
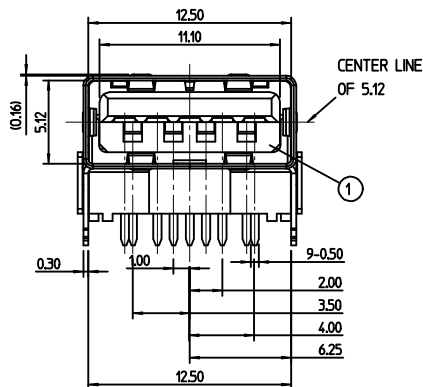
RELEASE EC NO: DRWNYFANG05 2013/10/20 CHKD: APPR: Δ	DESCRIPTION REV	QUALITY SYMBOLS $\nabla = 0$ $\nabla = 0$ $\nabla = 0$	GENERAL TOLERANCES (UNLESS SPECIFIED)		DIMENSION STYLE MM ONLY		SCALE 1:1		DESIGN UNITS METRIC		THIRD ANGLE PROJECTION		
		4 PLACES ± ± 3 PLACES ± ± 2 PLACES +0.25 ± 1 PLACE +0.25 ±	mm INCH	DRAWN BY CANDY	DATE 2013/06/17	TITLE USB3.0 NORMAL A TYPE R/A T/H CH=6.09mm							
		ANGULAR ±3 °		CHECKED BY JERRY	DATE 2013/06/17	MOLEX INCORPORATED							
		DRAFT WHERE APPLICABLE MUST REMAIN WITHIN DIMENSIONS		APPROVED BY JASON	DATE 2013/06/17	MATERIAL NO. SEE TABLE		DOCUMENT NO. SD-48391-001		SHEET NO. 1 OF 1			



- NOTES:
- MATERIAL:
  - 1.1 HOUSING: THERMOPLASTIC, HIGH TEMP., UL94V-0, COLOR: BLUE
  - 1.2 CONTACT: COPPER ALLOY
  - 1.3 SHELL: STAINLESS STEEL
  2. FINISH:
  - 2.1 CONTACT: PLS. SEE TABLE INFORMATION
  - SOLDER TAIL PLATING: MATT TIN OVER NICKEL
  - UNDERPLATING: NICKEL OVER ALL
  - 2.2 SHELL: NICKEL PLATING OVER ALL
  3. SPEC. PLS. REFER TO PS-48391-001
  4. PACKAGE PLS. REFER TO PK-48391-001
  5. LEAD FREE AND ROHS COMPLIANT PRODUCT
  6. DATE CODE 1 A 08 X X

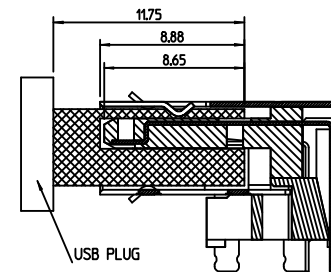
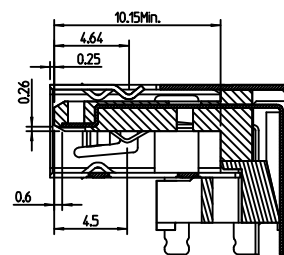
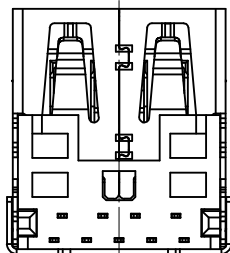
YEAR: 1+2011  
 MONTH: A(JAN), B(FEB)  
 DATE: 8=08

REMARK  
 PRODUCE PLACE



TABLE

PLATING	MOLEX P/N
30'u GOLD	48391-0001
2u'GOLD&30u'Pd-Ni	48391-0002
15u' GOLD	48391-0003
GOLD FLASH(3u' MIN)	48391-0004



No.	DESCRIPTION	MATERIAL
5	METAL SHELL	STAINLESS STEEL
4	TERMINAL A	COPPER ALLOY
3	TERMINAL B	COPPER ALLOY
2	SPACER	THERMOPLASTIC
1	HOUSING	THERMOPLASTIC

SHELL	SHIELD
9	STDA_SSTX+
8	STDA_SSTX-
7	GND_DRAIN
6	STDA_SSRX+
5	STDA_SSRX-
4	GND
3	D+
2	D-
1	VBUS
PIN NO.	SIGNAL NAME

RELEASE EC NO: DRWNYFANG05 2013/10/20 CHKD: APPR: Δ	DESCRIPTION REV	QUALITY SYMBOLS ▽=0 ▽=0 ▽=0	GENERAL TOLERANCES (UNLESS SPECIFIED) 4 PLACES ± ± 3 PLACES ± ± 2 PLACES +0.25 ± 1 PLACE +0.25 ± ANGULAR ±3 °	DIMENSION STYLE MM ONLY	SCALE 1:1	DESIGN UNITS METRIC	THIRD ANGLE PROJECTION
		DRAWN BY CANDY	DATE 2013/06/17	TITLE USB3.0 NORMAL A TYPE R/A T/H CH=6.09mm			
		CHECKED BY JERRY	DATE 2013/06/17	APPROVED BY JASON	DATE 2013/06/17		
		MATERIAL NO. SEE TABLE	DOCUMENT NO. SD-48391-001	SHEET NO. 1 OF 1			

DRAFT WHERE APPLICABLE  
 MUST REMAIN WITHIN DIMENSIONS

THIS DRAWING CONTAINS INFORMATION THAT IS PROPRIETARY TO MOLEX INCORPORATED AND SHOULD NOT BE USED WITHOUT WRITTEN PERMISSION