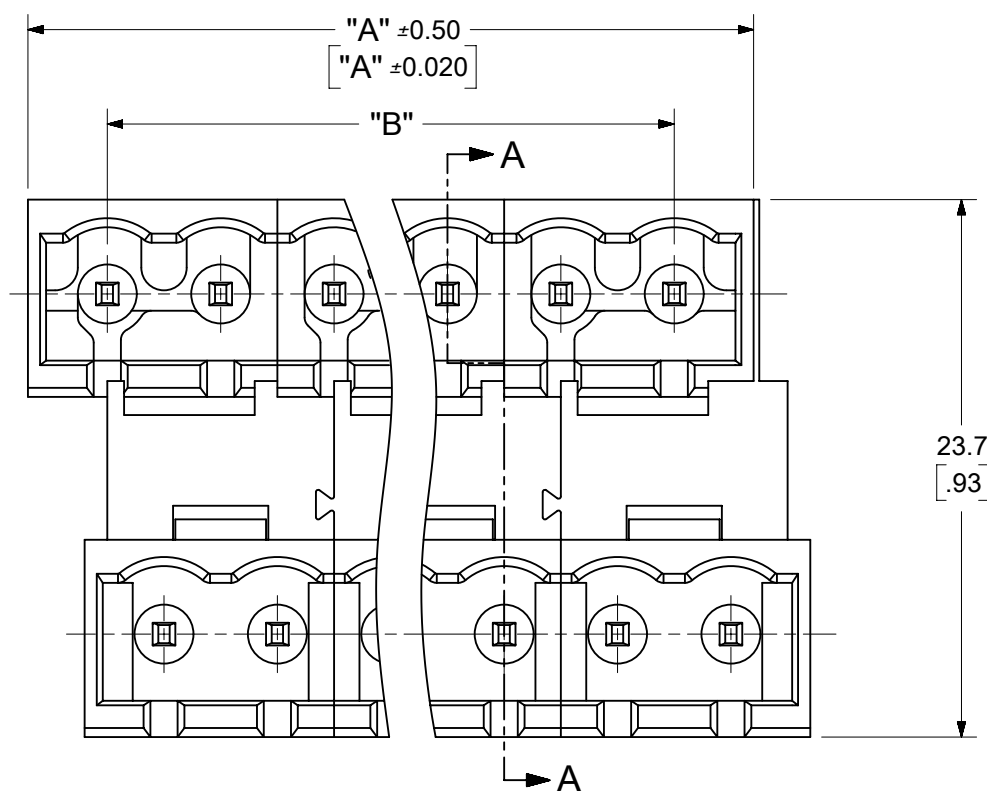
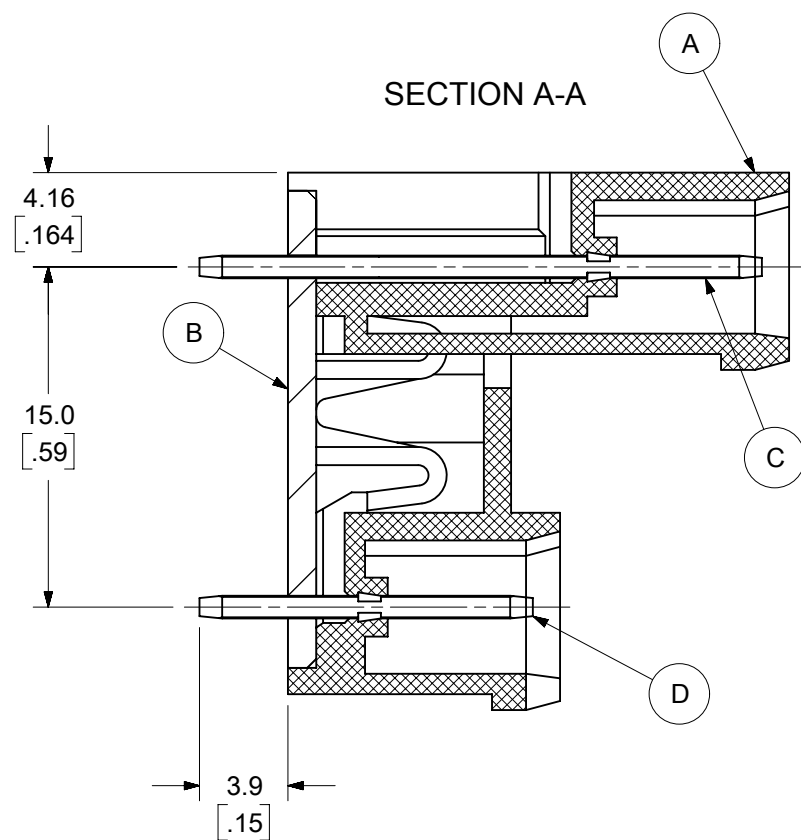


SECTION A-A

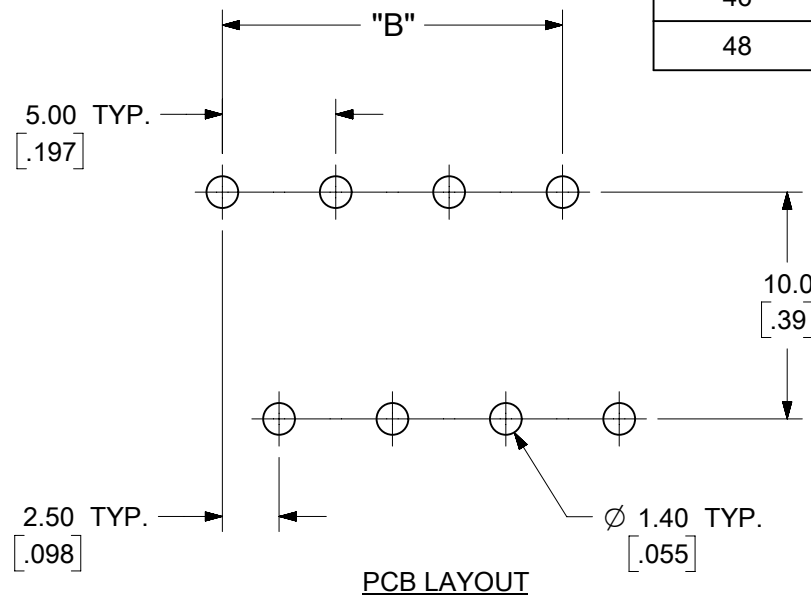


SPECIFICATIONS:

- MATERIAL:
 - (A) BODY: PA66 (UL 94V-0)
 - (B) COVER: PBT (UL 94V-0)
 - (C) LONG TERMINAL: BRASS
 - (D) SHORT TERMINAL: BRASS
- ELECTRICAL RATING: 300V, 15A
- DIELECTRIC WITHSTAND: AC 2500V FOR 1 MINUTE
- BREAKDOWN VOLTAGE: 4000V
- INSULATION RESISTANCE: DC 1000V, 1000 MEGOHMS
- OPERATING TEMPERATURE: -40°C TO +105°C
- NUMBER OF CIRCUIT POSITIONS AVAILABLE= 4
THROUGH 48, EVEN NUMBERED CIRCUIT SIZES ONLY
- ALL COMPONENTS ARE ROHS COMPLIANT
- DIMS SHOWN ARE FOR REFERENCE ONLY

| | | | |
|---------|---|-------------------------------|------------------------------|
| SYMBOLS | THIS DRAWING CONTAINS INFORMATION THAT IS PROPRIETARY TO MOLEX ELECTRONIC TECHNOLOGIES, LLC AND SHOULD NOT BE USED WITHOUT WRITTEN PERMISSION | | |
| | DIMENSION UNITS | SCALE | |
| ▽ = 0 | MM/INCH | 3:1 | |
| ▽ = 0 | GENERAL TOLERANCES (UNLESS SPECIFIED) | | |
| ▽ = 0 | | MM | INCH |
| ▽ = 0 | 4 PLACES ± | --- | --- |
| ▽ = 0 | 3 PLACES ± | --- | ±.005 |
| ▽ = 0 | 2 PLACES ± | 0.13 | ±.01 |
| ▽ = 0 | 1 PLACE ± | 0.3 | --- |
| ▽ = 0 | 0 PLACES ± | --- | --- |
| ▽ = 0 | ANGULAR TOL | ± 2° | |
| ▽ = 0 | DRAFT WHERE APPLICABLE | MUST REMAIN WITHIN DIMENSIONS | |
| ▽ = 0 | THIRD ANGLE PROJECTION | DRAWING | SERIES |
| | | B-SIZE | 39528 |
| | CURRENT REV DESC: MIGRATION TO ECTR/NX | EC NO: 620717 | DRWN: ABENJAMINLW 2019/07/12 |
| | | CHK'D: DACHAMMER 2019/07/16 | APPR: JFMURPHY 2019/08/02 |
| | INITIAL REVISION: | DRWN: CYORK 2006/07/25 | APPR: JPAWLICK 2006/07/26 |
| | DOCUMENT NUMBER | DOC TYPE | DOC PART |
| | SD-39528-004 | PSD | 001 |
| | MATERIAL NUMBER | CUSTOMER | SHEET NUMBER |
| | SEE SHEET-2 | GENERAL MARKET | 1 OF 2 |

| CIRCUIT SIZE | MATERIAL NUMBERS | | | | DIMENSIONAL INFORMATION | | | |
|--------------|------------------|------------|-----------|------------|-------------------------|-------|----------|-------|
| | BLACK | | GREEN | | DIM. "A" | | DIM. "B" | |
| | 100% TIN | 30 u" GOLD | 100% TIN | 30 u" GOLD | mm | inch | mm | inch |
| 4 | 395283004 | 395283504 | 395288004 | 395288504 | 12.00 | .472 | 5.00 | .197 |
| 6 | 395283006 | 395283506 | 395288006 | 395288506 | 17.00 | .669 | 10.00 | .394 |
| 8 | 395283008 | 395283508 | 395288008 | 395288508 | 22.00 | .866 | 15.00 | .591 |
| 10 | 395283010 | 395283510 | 395288010 | 395288510 | 27.00 | 1.063 | 20.00 | .787 |
| 12 | 395283012 | 395283512 | 395288012 | 395288512 | 32.00 | 1.260 | 25.00 | .984 |
| 14 | 395283014 | 395283514 | 395288014 | 395288514 | 37.00 | 1.457 | 30.00 | 1.181 |
| 16 | 395283016 | 395283516 | 395288016 | 395288516 | 42.00 | 1.654 | 35.00 | 1.378 |
| 18 | 395283018 | 395283518 | 395288018 | 395288518 | 47.00 | 1.850 | 40.00 | 1.575 |
| 20 | 395283020 | 395283520 | 395288020 | 395288520 | 52.00 | 2.047 | 45.00 | 1.772 |
| 22 | 395283022 | 395283522 | 395288022 | 395288522 | 57.00 | 2.244 | 50.00 | 1.969 |
| 24 | 395283024 | 395283524 | 395288024 | 395288524 | 62.00 | 2.441 | 55.00 | 2.165 |
| 26 | 395283026 | 395283526 | 395288026 | 395288526 | 67.00 | 2.638 | 60.00 | 2.362 |
| 28 | 395283028 | 395283528 | 395288028 | 395288528 | 72.00 | 2.835 | 65.00 | 2.559 |
| 30 | 395283030 | 395283530 | 395288030 | 395288530 | 77.00 | 3.031 | 70.00 | 2.756 |
| 32 | 395283032 | 395283532 | 395288032 | 395288532 | 82.00 | 3.228 | 75.00 | 2.953 |
| 34 | 395283034 | 395283534 | 395288034 | 395288534 | 87.00 | 3.425 | 80.00 | 3.150 |
| 36 | 395283036 | 395283536 | 395288036 | 395288536 | 92.00 | 3.622 | 85.00 | 3.346 |
| 38 | 395283038 | 395283538 | 395288038 | 395288538 | 97.00 | 3.819 | 90.00 | 3.543 |
| 40 | 395283040 | 395283540 | 395288040 | 395288540 | 102.00 | 4.016 | 95.00 | 3.740 |
| 42 | 395283042 | 395283542 | 395288042 | 395288542 | 107.00 | 4.213 | 100.00 | 3.937 |
| 44 | 395283044 | 395283544 | 395288044 | 395288544 | 112.00 | 4.409 | 105.00 | 4.134 |
| 46 | 395283046 | 395283546 | 395288046 | 395288546 | 117.00 | 4.606 | 110.00 | 4.331 |
| 48 | 395283048 | 395283548 | 395288048 | 395288548 | 122.00 | 4.803 | 115.00 | 4.528 |



| | | | | | | | | | | | | | | | | | | | |
|--|--|--|--|--|------------------------------|--|--|--|--|---|--|--|--|--|--|--|--|--|--|
| SYMBOLS | | | | | | | | | | THIS DRAWING CONTAINS INFORMATION THAT IS PROPRIETARY TO MOLEX ELECTRONIC TECHNOLOGIES, LLC AND SHOULD NOT BE USED WITHOUT WRITTEN PERMISSION | | | | | | | | | |
| DIMENSION UNITS | | | | | SCALE | | | | | CURRENT REV DESC: MIGRATION TO ECTR/NX | | | | | | | | | |
| MM/INCH | | | | | 3:1 | | | | | | | | | | | | | | |
| GENERAL TOLERANCES (UNLESS SPECIFIED) | | | | | | | | | | EC NO: 620717 | | | | | | | | | |
| 4 PLACES ± --- ± --- | | | | | DRWN: ABENJAMINLW 2019/07/12 | | | | | 5.0MM, EURO DUAL HEADER, VERTICAL, CLOSED END, STACKABLE | | | | | | | | | |
| 3 PLACES ± --- ± .005 | | | | | CHK'D: DACHAMMER 2019/07/16 | | | | | PRODUCT CUSTOMER DRAWING | | | | | | | | | |
| 2 PLACES ± 0.13 ± .01 | | | | | APPR: JFMURPHY 2019/08/02 | | | | | DOCUMENT NUMBER | | | | | | | | | |
| 1 PLACE ± 0.3 ± --- | | | | | INITIAL REVISION: | | | | | SD-39528-004 | | | | | | | | | |
| 0 PLACES ± --- ± --- | | | | | DRWN: CYORK 2006/07/25 | | | | | DOC TYPE DOC PART REVISION | | | | | | | | | |
| ANGULAR TOL ± 2° | | | | | APPR: JPAWLICK 2006/07/26 | | | | | PSD 001 A1 | | | | | | | | | |
| DRAFT WHERE APPLICABLE MUST REMAIN WITHIN DIMENSIONS | | | | | THIRD ANGLE PROJECTION | | | | | MATERIAL NUMBER | | | | | | | | | |
| | | | | | DRAWING | | | | | CUSTOMER | | | | | | | | | |
| | | | | | SERIES | | | | | SHEET NUMBER | | | | | | | | | |
| | | | | | B-SIZE 39528 | | | | | SEE TABLE GENERAL MARKET 2 OF 2 | | | | | | | | | |