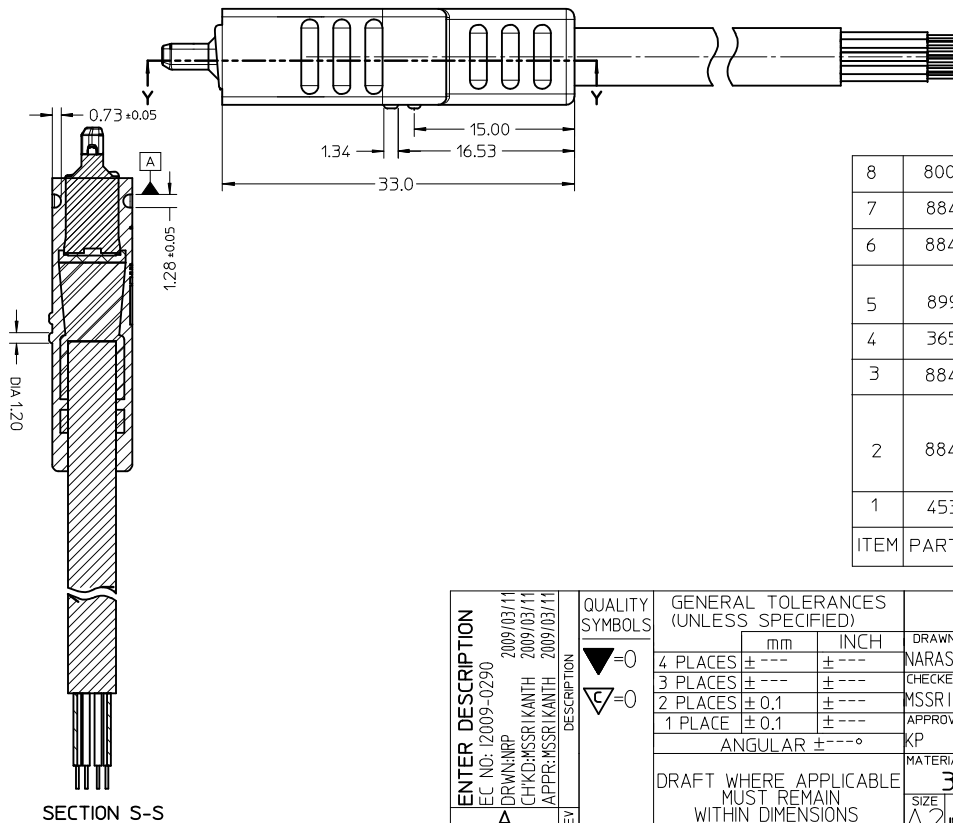


- NOTE:
- 1) STRIP, TWIST AND TIN ALL THE CORES WITH LEAD FREE SOLDER
 - 2) ENTIRE LENGTH OF SEMI STRIP SHOULD BE TINNED WITHOUT MELTING INSULATION AND THEN REMOVE THE HST
 - 3) OUTER MOLD TO BE FREE OF BLISTERS AND SINKMARKS

TABLE-1

16	YELLOW	---
15	BLUE	---
14	BROWN	---
13	GREY	---
12	VOID	---
11	VOID	---
10	VOID	---
9	VOID	---
8	VOID	---
7	VOID	---
6	VOID	---
5	PINK	---
4	GREEN	---
3	WHITE	---
2	BLACK	---
1	RED	---
HANDYLINK SIDE END 'A'	WIRE COLOR	END 'B'



ROHS COMPLIANT

8	8000014612	LEAD FREE SOLDER
7	884260436	HST 1.5 MM DIA, WHITE
6	884260404	HST 1.0 MM DIA, BLACK
5	899921473	OUTER MOLD MATERIAL: PVC GRAY (PANTONE 538U)
4	365640023	INNER MOLD, MATERIAL: HDPE (WHITE)
3	884770300	CAP, MATERIAL: HDPE (WHITE)
2	884535101	9 CORE CABLE 19/0.1 STRANDED BARE COPPER 26 AWG, TPE, JACKETE OD 5.4MM HALOGEN FREE MEDICAL CABLE
1	453391600	HANDYLINK 16 PIN CONNECTOR
ITEM	PART NUMBER	DESCRIPTION

ENTER DESCRIPTION EC NO: I2009-0290 DRAWN BY: CHIKD-MSSRIKANTH 2009/03/11 APPR: MSSRIKANTH 2009/03/11	QUALITY SYMBOLS ▽=0 ▽=0	GENERAL TOLERANCES (UNLESS SPECIFIED)		DIMENSION STYLE MM ONLY		SCALE 3:1	DESIGN UNITS METRIC	THIRD ANGLE PROJECTION
		4 PLACES ±--- ±--- 3 PLACES ±--- ±--- 2 PLACES ±0.1 ±--- 1 PLACE ±0.1 ±--- ANGULAR ±---°	m/m INCH ±--- ±--- ±0.1 ±--- ±0.1 ±---	DRAWN BY: NARASIMHA 2009/01/07 CHECKED BY: MSSRIKANTH 2009/01/07 APPROVED BY: KP 2009/01/07	DATE: 2009/01/07 DATE: 2009/01/07 DATE: 2009/01/07	TITLE CABLE ASSY I/O I/O 1 WIRE L=6.0 MTS MEDICAL CABLE ASSY		MOLEX INCORPORATED
DRAFT WHERE APPLICABLE MUST REMAIN WITHIN DIMENSIONS	MATERIAL NO. 366970079	DOCUMENT NO. SD-36697-019	SHEET NO. 1 OF 1		THIS DRAWING CONTAINS INFORMATION THAT IS PROPRIETARY TO MOLEX INCORPORATED AND SHOULD NOT BE USED WITHOUT WRITTEN PERMISSION			