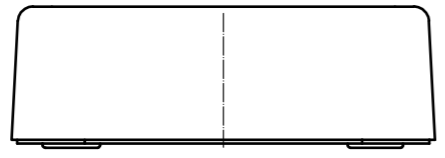
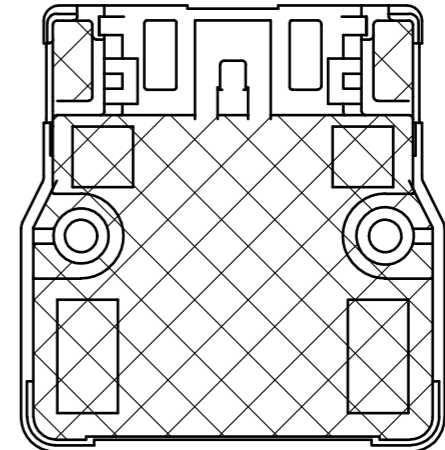
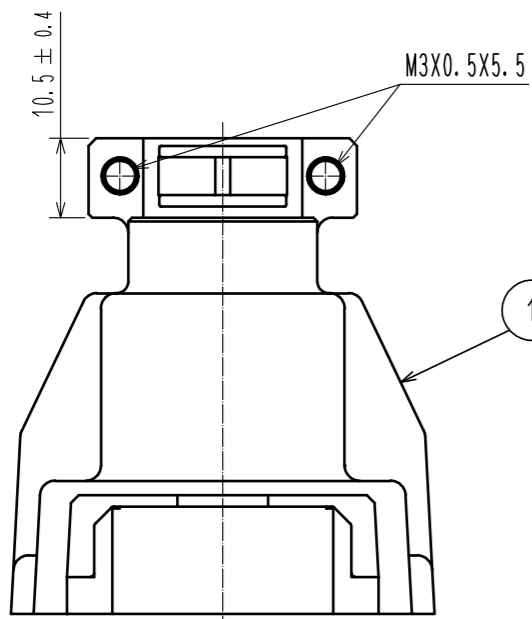


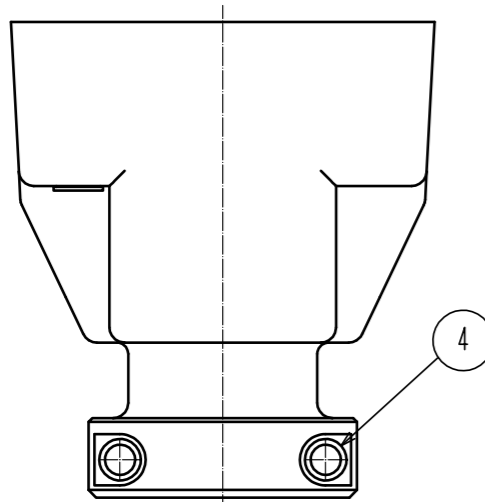
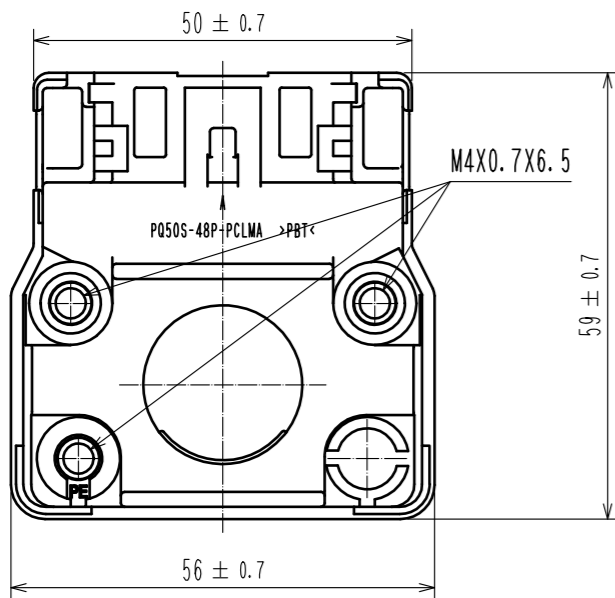
2 (1:1)



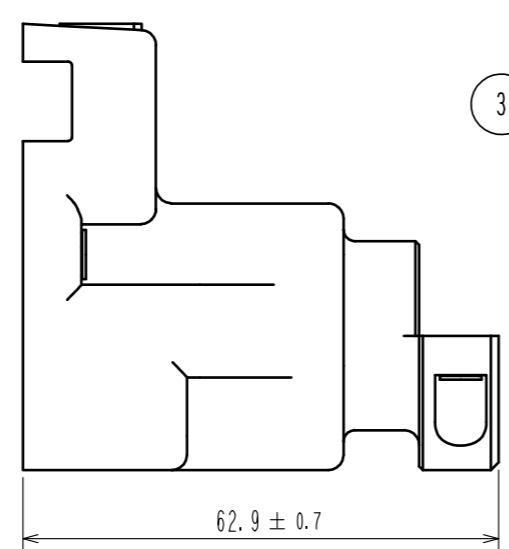
HRS	図番:	ADC-129889-00-00	
	製品名:	PQ50S-48P-PCLMA	
	製品コード:	CL236-2131-0-00	



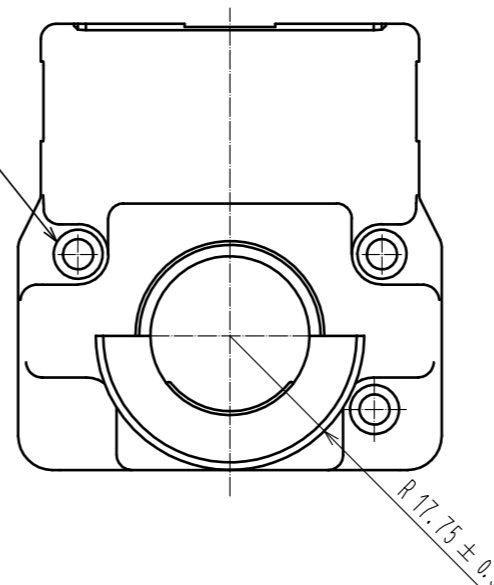
1



4



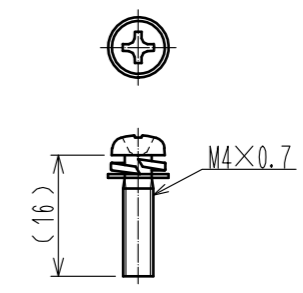
3



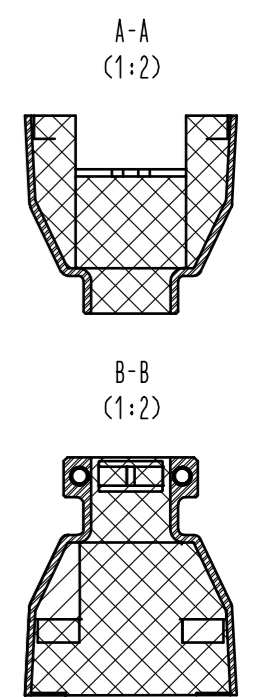
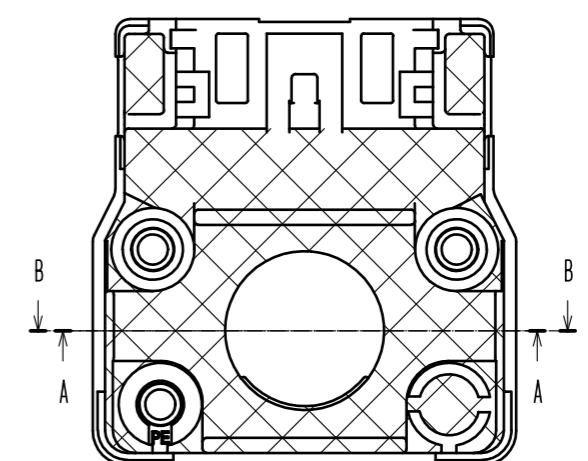
R17.75 ± 0.3

5 添付品

JIS B 1188 : ばね座金+平座金組込み十字穴付きなべ小ねじ : M4×0.7×16

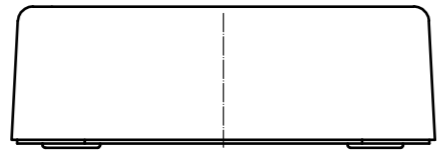
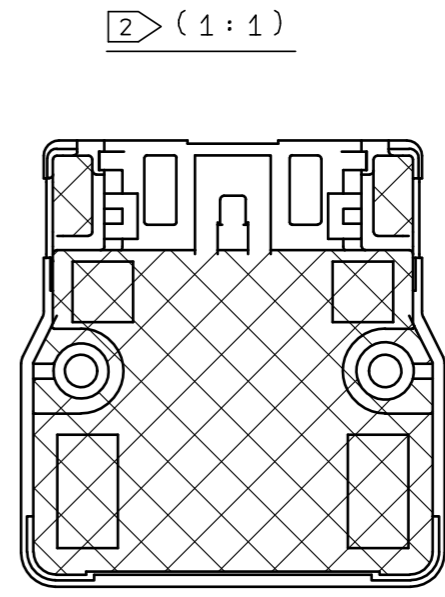
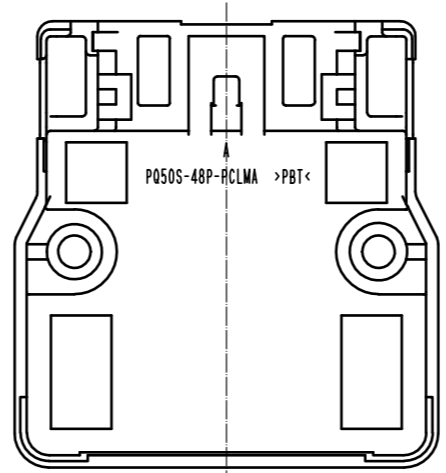
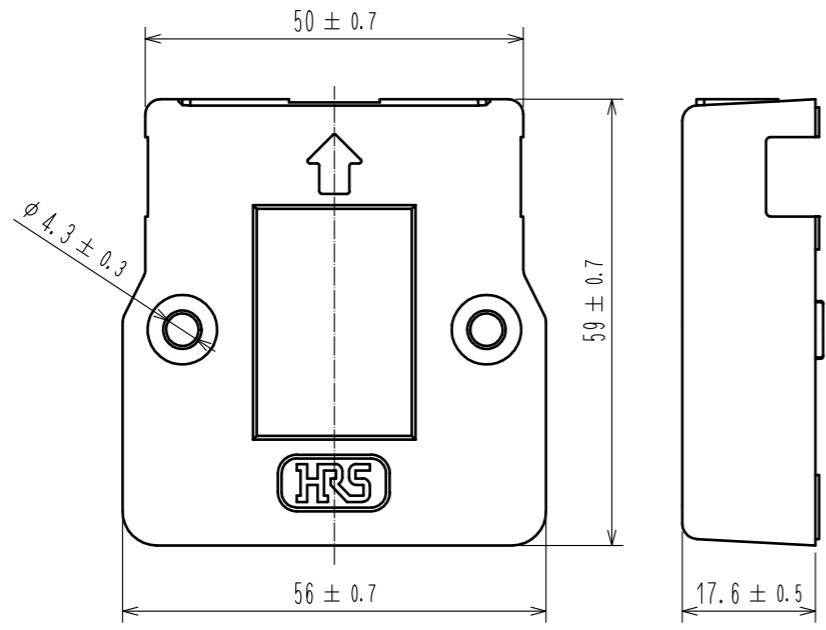
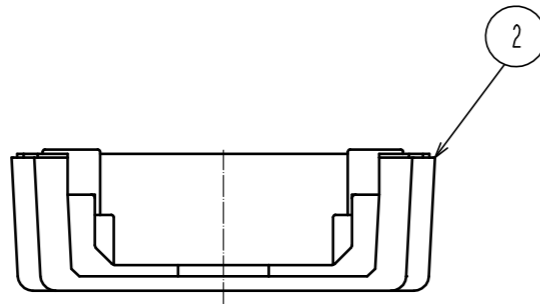


2 (1:1)



- 注 1. Refer to ETAD-E2961 for the Applicable components assembled with this product.
 2. While discoloration and or un-plating may occur beyond the areas, product performance remain unchanged.
 3. This product is available by 12 set/box unit.
 4. Applicable cable outer diameter : $\phi 17.5$ mm
 5. Refer to ETAD-E3122 for the procedure of the cable assembly.

3	Brass	Nickel plating			
2	PBT	Surface plating : Nickel Under plating : Copper	5	Steel	Surface plating : Nickel Under plating : Copper
1	PBT	Surface plating : Nickel Under plating : Copper	4	Brass	Nickel plating
部番	材質	処理, 備考	部番	材質	処理, 備考
UNITS mm		SCALE 1 : 1	Δ の数	訂正記事	設計 検図 年月日
HRS HIROSE ELECTRIC CO., LTD.		承認 : RI. TAKAYASU 20181210 検図 : TU. TANIGUCHI 20181210 設計 : SH. KOYAMA 20181210 製図 : SH. KOYAMA 20181210	図番 : EDC-129889-00-00 製品名 : PQ50S-48P-PCLMA 製品コード : CL236-2131-0-00		



HRS	図番:	EDC-129889-00-00	
	製品名:	PQ50S-48P-PCLMA	
	製品コード:	CL236-2131-0-00	