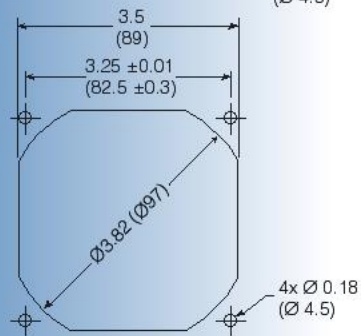
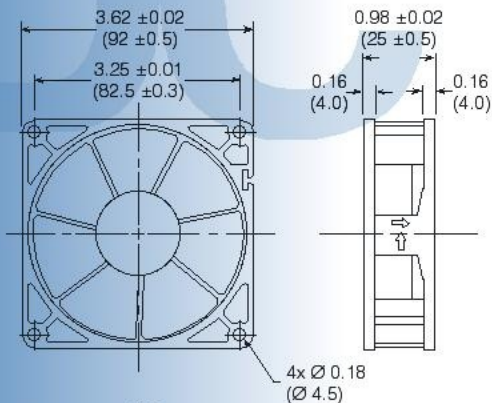
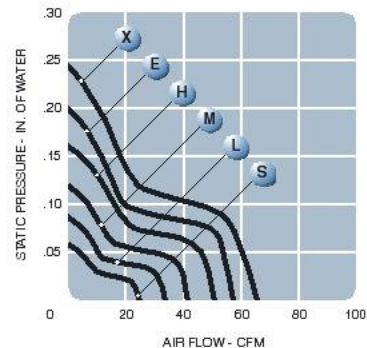


# G9225 Series



**Size: (92 x 92 x 25 mm)**  
**3.62 x 3.62 x 0.98 inches**

- High air flow 92mm model
- 12 or 24 VDC
- Reinforced flanged frame; ball bearings
- Options include tachometer or locked rotor output signal, and thermistor control



Model No.	Rated Voltage (V)	Current (mA)		Revolution (RPM)	Air Volume (CFM)	Maximum Static Pressure (in H <sub>2</sub> O)	Sound Noise (dBA)	Weight (oz)
		12	24					
G9225 S	12/24	90	60	1,600	25	0.06	23	3.47
G9225 L	12/24	140	90	2,000	34	0.09	27	3.47
G9225 M	12/24	200	120	2,400	42	0.12	32	3.47
G9225 H	12/24	280	160	2,800	50	0.16	36	3.47
G9225 E	12/24	370	200	3,200	58	0.21	39	3.47
G9225 X	12/24	490	290	3,600	66	0.24	42	3.47