

Accessories for HS Si 4 / HS Si 4 Extreme / Ex HS Si 4 Actuating magnet coded Ex MC 4

Material number: 1182903 (Material number old: 05.00.8222)

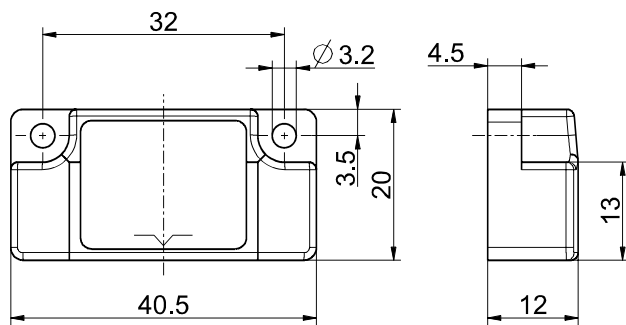
Features/Options:

- Actuator for Ex HS Si 4
- Enclosure: glass-fibre reinforced thermoplastic, self-extinguishing
- Magnet: NdFeB
- Temperature resistant from -20 °C up to +70 °C

Notes

- The actuator is not included in the delivery of the switches

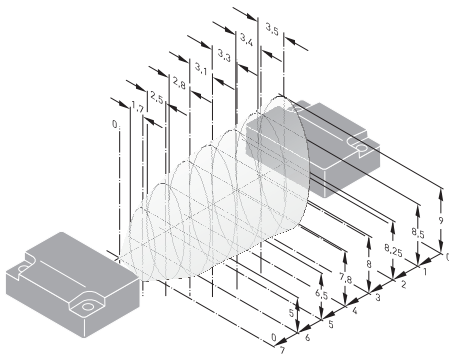
Dimensions



Technical data

Weight	18 g
--------	------

Axial misalignment



Errors and omissions excepted.