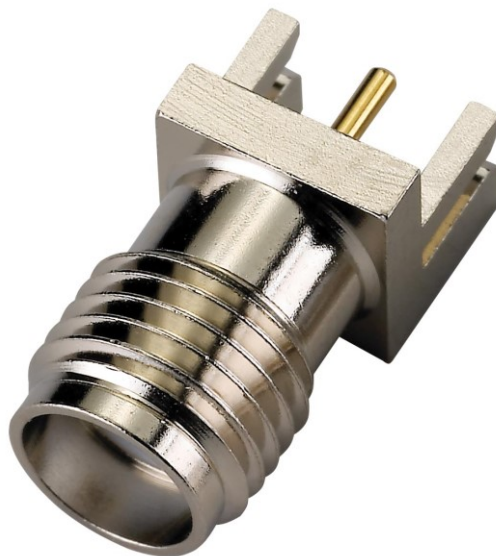


SPECIFICATION

Part No. : **EMPCB.SMAFSTJ.C.HT**

Product Name : SMA (F) Jack For Edge PCB Mount

Feature : SMA(F) Jack
Straight Edge Mount PCB Jack
Frequency Range: 12.4GHz
Finish: Nickel
Leg Length: 3.8mm
Total Length: 13.3mm
RoHS Compliant



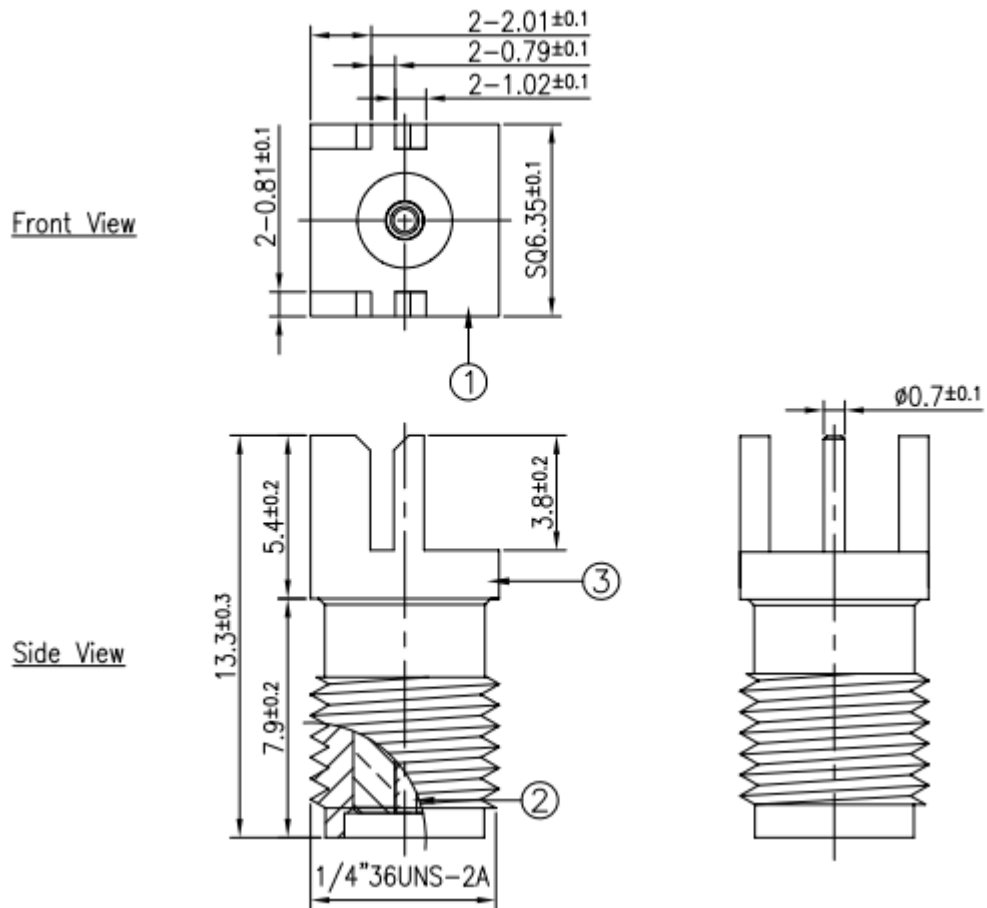
1. Introduction

The EMPCB.SMAFSTJ.C.HT connector was designed to be mounted on a PCB edge. The edge mount configuration allows the connector to be easily slotted onto a PCB board; the maximum thickness of PCB that the connector can be used with is 0.8mm. The connector pin is directly soldered onto pads on the PCB. The connector is a standard SMA (F) Jack. The SMA connector is the most popular type connector for RF applications. Taoglas connectors are all RoHS compliant.

2. Specification

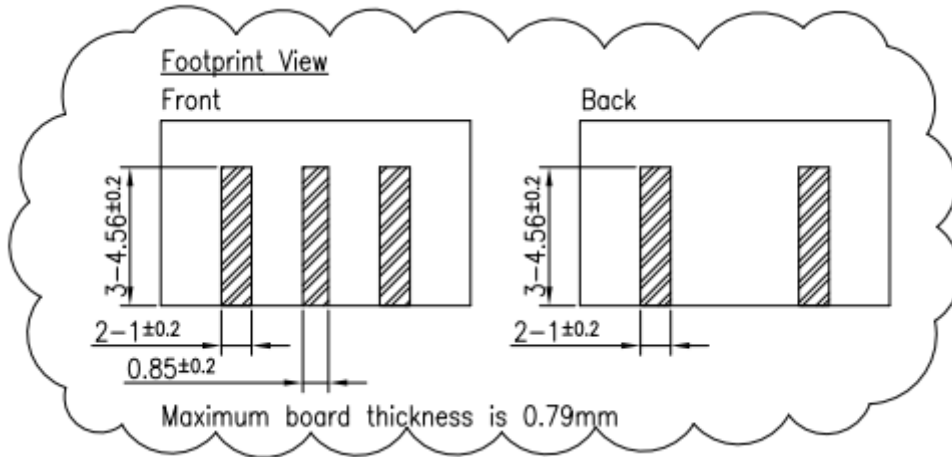
ELECTRICAL	
Impedance	50Ω
Frequency Range	0~12.4 GHz
Working Voltage	Max. 335 Vrms
Insulation Resistance	Min. 5000M ohms
MECHANICAL	
Connector Dimension	6.35 X 6.35 X13.3 mm
Max. Thickness PCB acceptable	0.8 mm
Connector Pin Diameter	0.76 mm
Connector Type	SMA (F) to PCB Edge Mounted
ENVIRONMENTAL	
RoHS compliant	
Operating Temperature	-40°C to +85°C

3. Connector Drawing

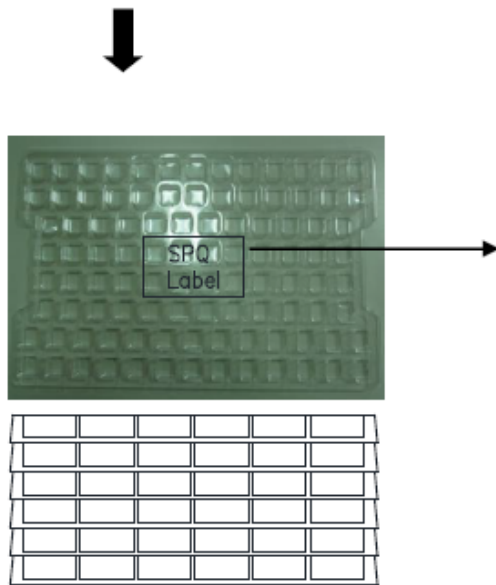
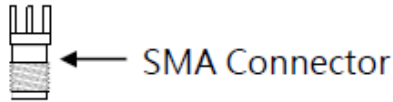


	Name	Material	Finish	QTY
1	Body	Brass	Nickel	1
2	Pin	Brass	Gold	1
3	Insulator	Teflon	White	1

3.1 Footprint



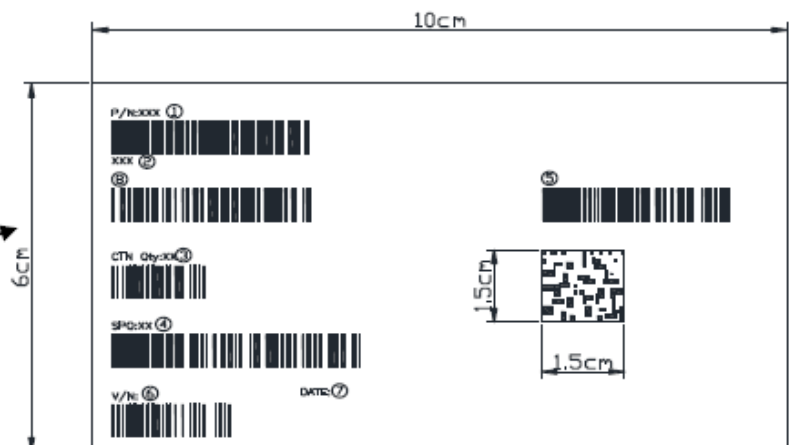
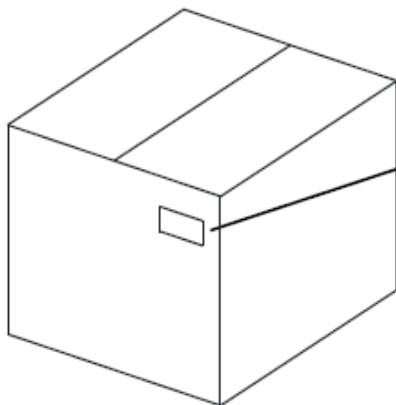
4. Packaging (Unit: mm)



500pcs/Tray * 6 (Vacuum)
Tray dimension: 268*180mm



① P/N: Taoglas
② SPQ QTY: SPQ
③ Unit:



1.P/N
2.Description
3.CTN QTY
4.SPQ QTY
5.Purchase No
6.V/N:
7.DATE:yyyy/mm/dd
8.Batch No.: Taoglas

I 03 001 0001
T:正品 03:年 001:廠商碼 0001:流水碼
P:備品

3000PCS / Carton
(375*285*155mm)

Taoglas makes no warranties based on the accuracy or completeness of the contents of this document and reserves the right to make changes to specifications and product descriptions at any time without notice.

Taoglas reserves all rights to this document and the information contained herein. Reproduction, use or disclosure to third parties without express permission is strictly prohibited.

Copyright © Taoglas Ltd.