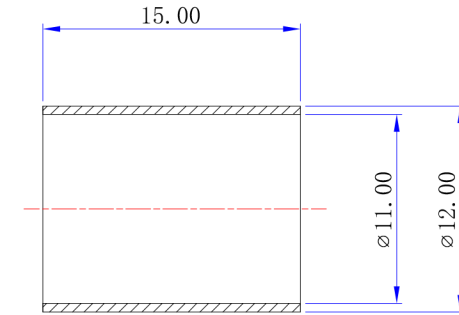
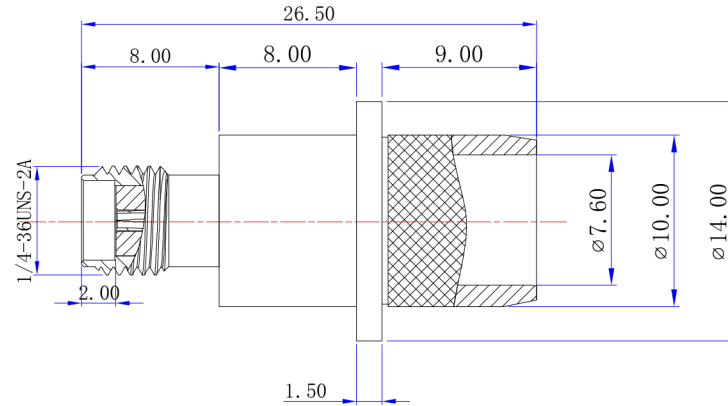
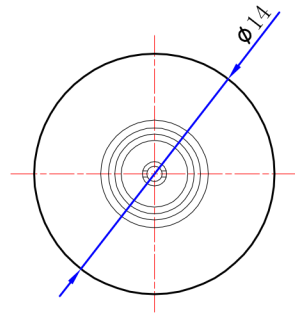




Product NO. BC-302-400

REV	DESCRIPTION	DWN	DATE	APPROVEN
R1.0	First issue	Gavin	2021/03/09	JIM.KING



Specifications:

IMPEDANCE: 50 Ohms
 Frequency range: 0~6GHz
 VSWR: 1.5MAX
 Working voltage: 500V rms @ sea level
 Insulation resistance: 5000 MOhms min
 Temperature range: -55°C TO +165°C

No	Connector color
BC-302-400-RD	Body electrophoresis: Red
BC-302-400-BL	Body electrophoresis: Blue
BC-302-400-BK	Body electrophoresis: Black

4	Copper pipe	BRASS	NICKEL	1
3	CONTACT PIN	BRASS	GOLD	1
2	INSULATOR	PTFE	NINE	1
1	BOOY	BRASS	Electrophoresis	1
NO	DESCRIPTION	MATERIAL	FINISH	QTY

-TOLERANCES-
UNLESS OTHERWISE
SPECIFIED

BIG CAT CABLES

PART DESCRIPTION:
SMA JACK FOR LMR400 CABLE

UNLESS OTHERWISE SPECIFIED
TOLERANCES FOR MILLIMETERS ARE:

0.5 - 8mm ± 0.20mm
8 - 30mm ± 0.25mm
30 - 120mm ± 0.30mm

Appd: JIM.KING

Check:

Draw: Gavin

P/N: BC-302-400

Date	Scale	Unit	Type	Page
2021.03.09	Free	MM	Z	1/1