
Product Change Notification (PCN)

Issue Date: **2/1/2018**
Modification/Revision
Date: **2/1/2018**

USB Cable

Change Notification: **PCN-US-20180104**

Description of changes: **1. Change of over-molding dimensions**

Date of change and Implementation: **2/1/2018**

Products Affected: **AK67421-0.3**

Reason for Change: **Unify over-molding dimensions with AK67421-X series**

Response: **No response to this notification is required.**

Product Change Notification (PCN)

Issue Date: 2/1/2018
Modification/Revision Date: 2/1/2018
2/2/2018

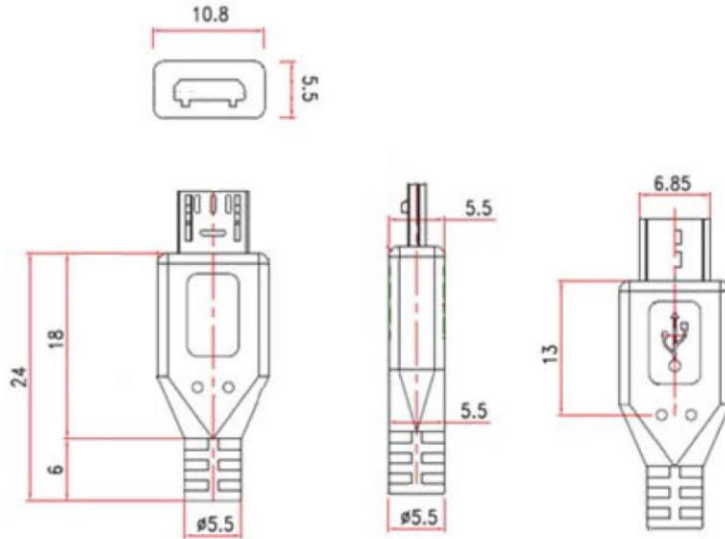
Reference Documents / Attachments:

Document: Drawing

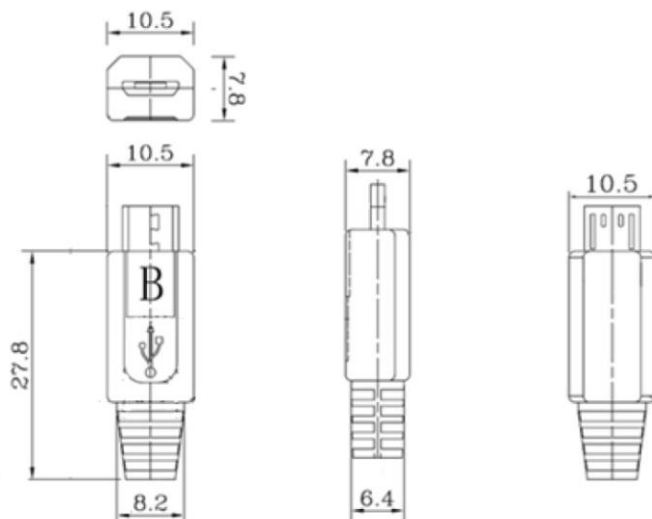
Part Number	Drawing Number
AK67421-0.3	ASS_7091_CArev03

Product Change Notification (PCN)

Previous Version



New Version



	1	2	3	4	5	6	7																																																								
A																																																															
B																																																															
C	<p>Cable White print AWM STYLE 2725 80°C 30V VW-1 28AWG/1P 28AWG/2C ---c--- AWM I/II A 80°C 30V FT1 USB CABLE</p>																																																														
D	<p>Electrical test:</p> <ol style="list-style-type: none"> 100% short, open, miss wire test Conduct resistance: 2 Ohm max. Insulator resistance: 10Mohm min. Dielectric test: DC 300V 																																																														
E	<table border="1"> <thead> <tr> <th>WSW P/N</th> <th>Jacket color</th> <th>Length(mm)</th> </tr> </thead> <tbody> <tr> <td>AK67421-0-3</td> <td>Black</td> <td>300±15</td> </tr> <tr> <td>AK67421-0-5</td> <td>Black</td> <td>500±15</td> </tr> <tr> <td>AK67421-1</td> <td>Black</td> <td>1000±20</td> </tr> <tr> <td>AK67421-2</td> <td>Black</td> <td>2000±20</td> </tr> <tr> <td>AK67421-3</td> <td>Black</td> <td>3000±30</td> </tr> <tr> <td>AK67421-5</td> <td>Black</td> <td>5000±50</td> </tr> </tbody> </table>							WSW P/N	Jacket color	Length(mm)	AK67421-0-3	Black	300±15	AK67421-0-5	Black	500±15	AK67421-1	Black	1000±20	AK67421-2	Black	2000±20	AK67421-3	Black	3000±30	AK67421-5	Black	5000±50																																			
WSW P/N	Jacket color	Length(mm)																																																													
AK67421-0-3	Black	300±15																																																													
AK67421-0-5	Black	500±15																																																													
AK67421-1	Black	1000±20																																																													
AK67421-2	Black	2000±20																																																													
AK67421-3	Black	3000±30																																																													
AK67421-5	Black	5000±50																																																													
F	<p>PE Bag Packing</p> <p>1PC/PE Bag</p> <p>PIN ASSIGNMENT</p> <table border="1"> <thead> <tr> <th>P1</th> <th>P2</th> </tr> </thead> <tbody> <tr> <td>1 Red</td> <td>1</td> </tr> <tr> <td>2 White</td> <td>2</td> </tr> <tr> <td>3 Green</td> <td>3</td> </tr> <tr> <td>4+5 Black</td> <td>4</td> </tr> <tr> <td>Shell Drain+Braid</td> <td>Shell</td> </tr> </tbody> </table>							P1	P2	1 Red	1	2 White	2	3 Green	3	4+5 Black	4	Shell Drain+Braid	Shell																																												
P1	P2																																																														
1 Red	1																																																														
2 White	2																																																														
3 Green	3																																																														
4+5 Black	4																																																														
Shell Drain+Braid	Shell																																																														
G	<p>ROHS compliant Unit: mm</p> <table border="1"> <thead> <tr> <th>Scale</th> <th>Free</th> <th></th> <th></th> <th></th> <th></th> <th></th> <th></th> </tr> </thead> <tbody> <tr> <td>TOLERANCE</td> <td></td> <td></td> <td></td> <td></td> <td></td> <td></td> <td></td> </tr> <tr> <td></td> <td></td> <td></td> <td></td> <td></td> <td></td> <td></td> <td></td> </tr> <tr> <td></td> <td></td> <td>③ Add 300mm</td> <td>20.07.2016</td> <td>Jesse</td> <td>Drawn</td> <td>10.04.2013</td> <td>Joanna</td> </tr> <tr> <td></td> <td></td> <td>② Update drawing</td> <td>12.04.2016</td> <td>Amy</td> <td>Approved</td> <td>20.07.2016</td> <td>Jesse</td> </tr> <tr> <td></td> <td></td> <td>① Update drawing</td> <td>25.08.2014</td> <td>Joanna</td> <td></td> <td></td> <td></td> </tr> <tr> <td></td> <td></td> <td>① Drawn</td> <td>10.04.2013</td> <td>Joanna</td> <td></td> <td></td> <td></td> </tr> </tbody> </table>							Scale	Free							TOLERANCE																		③ Add 300mm	20.07.2016	Jesse	Drawn	10.04.2013	Joanna			② Update drawing	12.04.2016	Amy	Approved	20.07.2016	Jesse			① Update drawing	25.08.2014	Joanna						① Drawn	10.04.2013	Joanna			
Scale	Free																																																														
TOLERANCE																																																															
		③ Add 300mm	20.07.2016	Jesse	Drawn	10.04.2013	Joanna																																																								
		② Update drawing	12.04.2016	Amy	Approved	20.07.2016	Jesse																																																								
		① Update drawing	25.08.2014	Joanna																																																											
		① Drawn	10.04.2013	Joanna																																																											
H	<table border="1"> <thead> <tr> <th>Angle</th> <th>TOL</th> <th>Id.</th> <th>Modification</th> <th>Date</th> <th>Name</th> <th></th> <th></th> </tr> </thead> <tbody> <tr> <td></td> <td></td> <td></td> <td></td> <td></td> <td></td> <td></td> <td></td> </tr> </tbody> </table> <p>ASSMANN components</p> <p>Customer-No. _____ Name _____ Date _____</p> <p>ASSMANN WSW-No. _____ Name _____ Date _____</p> <p>Drawing-No. _____ Name _____ Date _____</p> <p>ASS 7091 CA rev03</p> <p>Replace Sheet</p>							Angle	TOL	Id.	Modification	Date	Name																																																		
Angle	TOL	Id.	Modification	Date	Name																																																										
	1	2	3	4	5	6	7																																																								