



Contact Layout

**77**

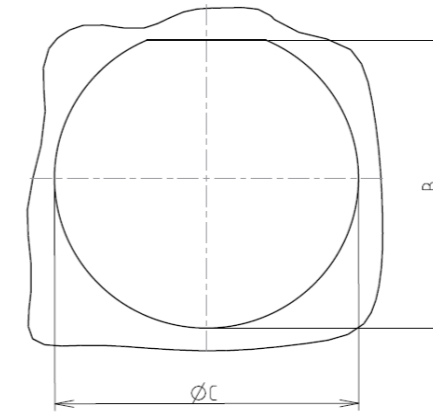


17#22D  
2#8 Triax

| 21-77 |        |       |
|-------|--------|-------|
| Ctc   | X      | Y     |
| A     | 1.96   | 8.38  |
| B     | 5.46   | 7.67  |
| C     | 8.51   | 5.79  |
| D     | 10.46  | 2.82  |
| E     | 10.46  | -2.82 |
| F     | 8.51   | -5.79 |
| G     | 5.46   | -7.67 |
| H     | 1.96   | -8.38 |
| J     | 0      | -5.41 |
| K     | -1.96  | -8.38 |
| L     | -5.46  | -7.67 |
| M     | -8.51  | -5.79 |
| N     | -10.46 | -2.82 |
| P     | -10.46 | 2.82  |
| R     | -8.51  | 5.79  |
| S     | -5.46  | 7.67  |
| T     | -1.96  | 8.38  |
| U     | -4.57  | 0     |
| V     | 4.57   | 0     |

Panel cutout

JAM NUT RECEPTACLE (TYPE 7)



Max. thickness panel for receptacle: Type 7: 3.2 mm

| Dim | Nominal       |
|-----|---------------|
| B   | 37.08+0/-0.25 |
| ØC  | 38.35+0.25/-0 |

SOURIAU shall not be liable for any non-conformity or damage due to a use of the Products which does not comply with the Specifications issued by either of the Parties or by a third party (professional recommendation, technical notice.)

| Country | Jurisdiction & Control List |
|---------|-----------------------------|
| FR      | Not Listed                  |

**PN: 8D721K77SN**

|                |   |                                |   |
|----------------|---|--------------------------------|---|
| A              | 08-11-2016                                  | First Release                  |   |
| ISS            | DATE  | Latest modification - by       | MOD N°  |
| Designed By:   |   | Date:                          | <b>CUSTOMER DRAWING</b>   |
| <b>TITLE</b>   | <b>Stainless Steel Receptacle 8D series</b> |                                |   |
| SCALE          |   | General linear Tolerances: ±-- | NPRDS / PROJECT<br><b>859</b>   |
| NA             |   |                                |   |
| <b>SOURIAU</b> | <b>WWW.SOURIAU.COM</b>                      |                                | This document is the property of SOURIAU it must not be reproduced or communicated without permission |
| FORMAT         | <b>SOURIAU DRG N° 8D721K77SN-C</b>          |                                | SHEET<br>2/2  |