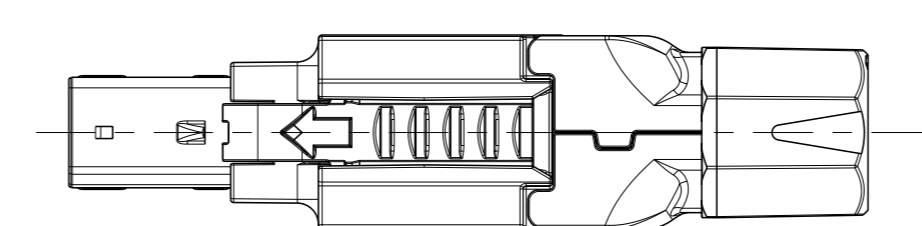
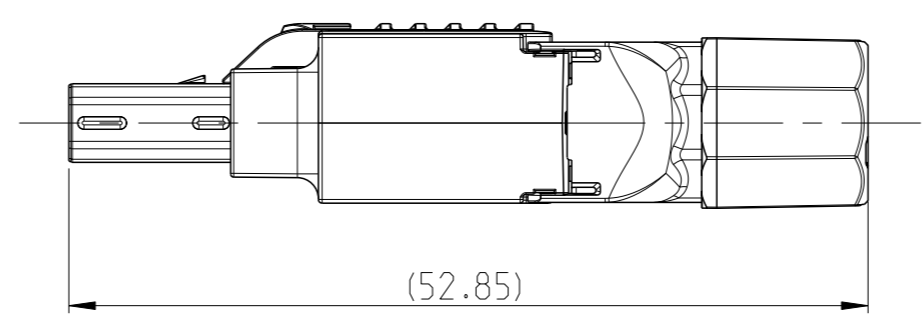
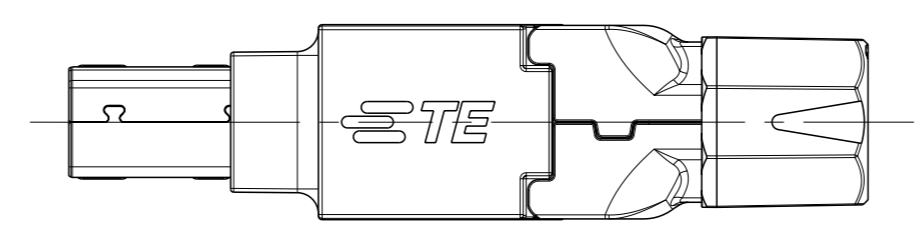
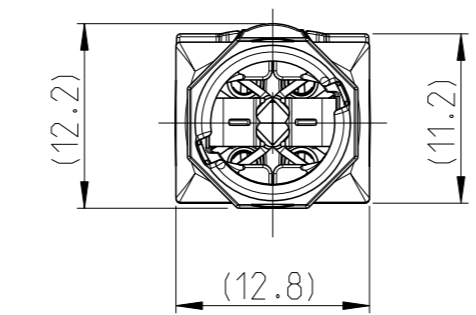
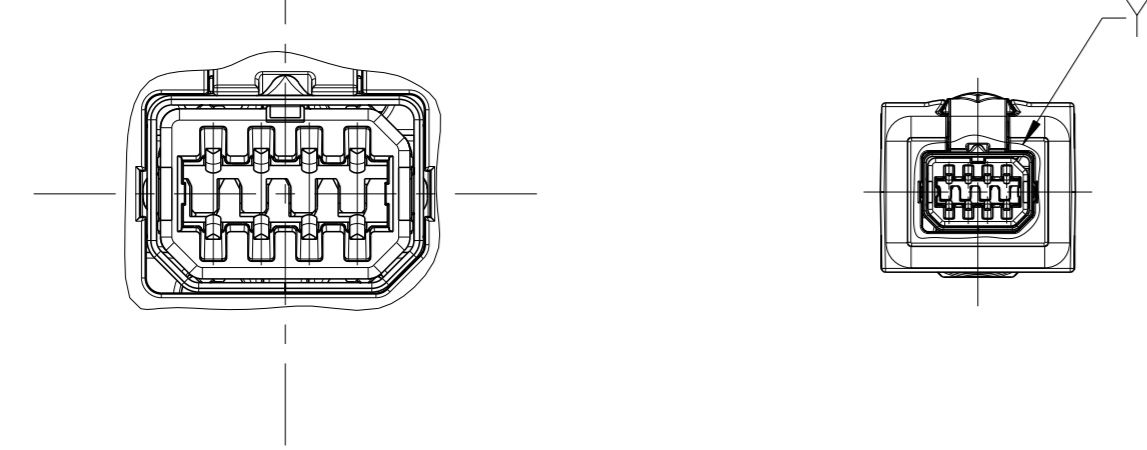


PROJECT NO.: PRJ-19-000900271		REVISIONS			
#	DATE	DESCRIPTION	DATE	OWN	APVD
1	02APR2020	NEW PRELIMINARY DRAWING	02APR2020	ER	JDB
2	12AUG2020	DRAWING UPDATED	12AUG2020	ER	JDB
A1	30NOV2020	DRAWING ACTIVATED	30NOV2020	SS	JDB

### TYPE II, U-SHAPE ASSEMBLY STATE

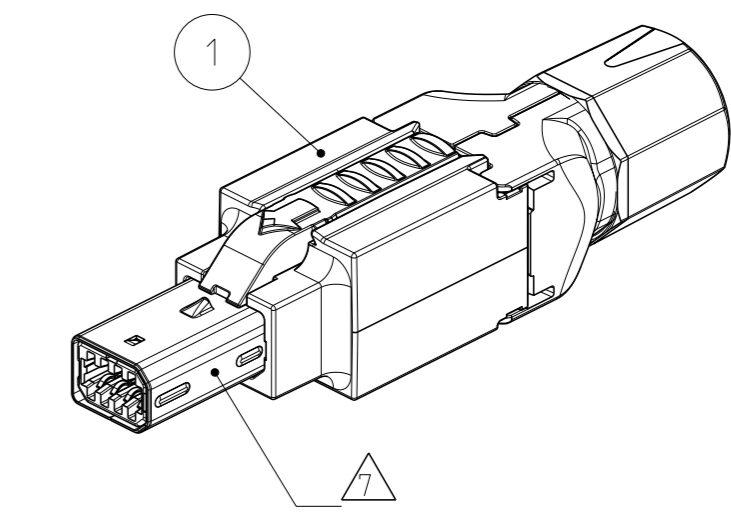
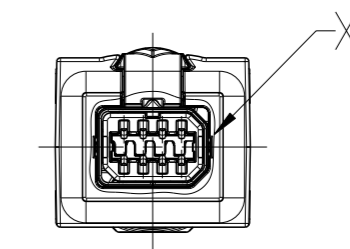
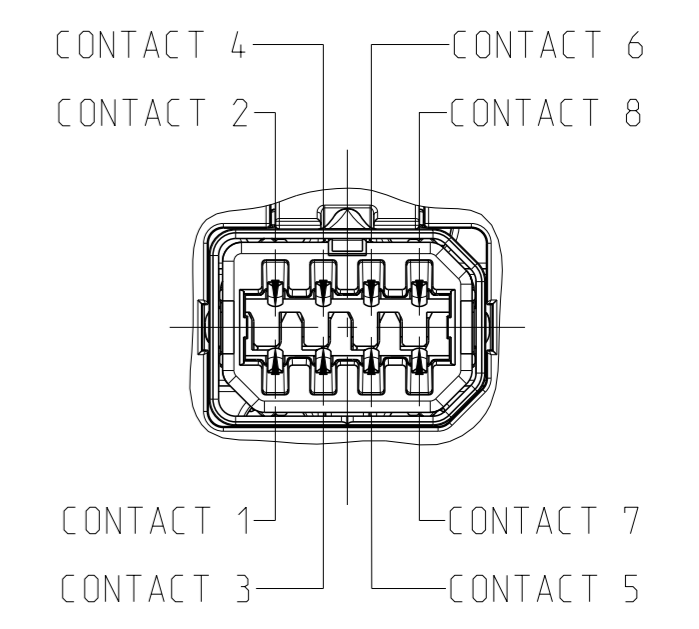
NOT SPECIFIED NOTES AND DIMENSIONS SEE -1

**DETAIL Y**  
TYPE II, D-SHAPE  
SCALE 5:1



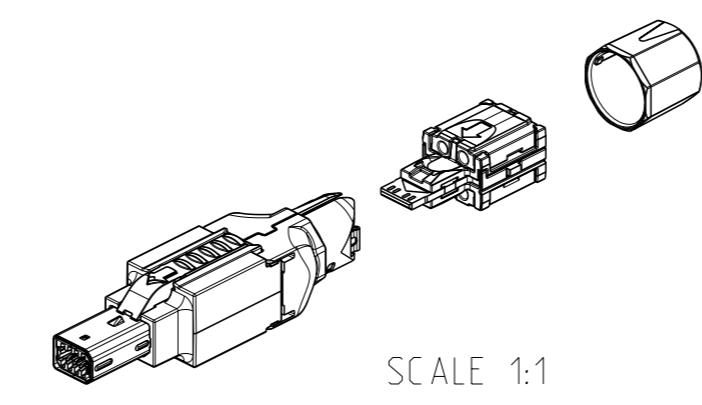
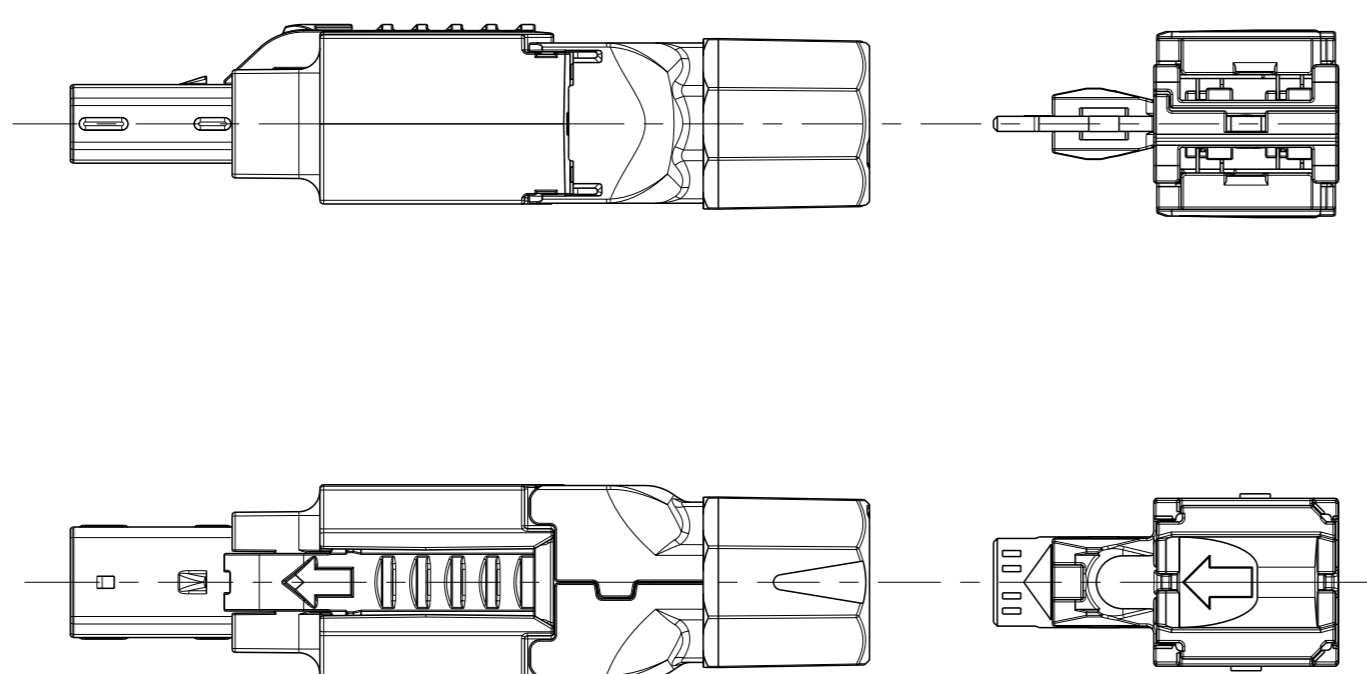
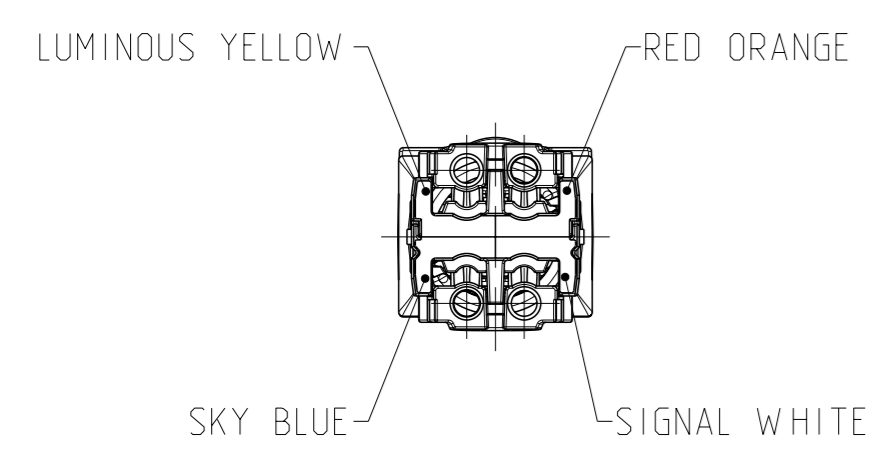
### TYPE I, D-SHAPE ASSEMBLY STATE

**DETAIL X**  
TYPE I, D-SHAPE  
SCALE 5:1



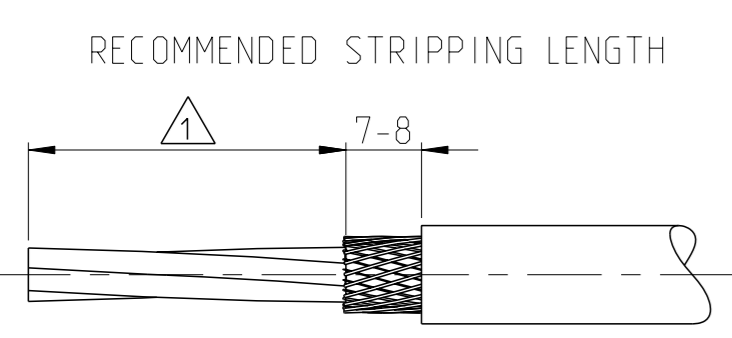
-1 AS SHOWN

### DELIVERY STATE



- ⚠️ RECOMMENDED LENGTH OF DISMANTLED CABLE MIN. 40mm ACC. APPLICATION SPEC. 114-94602
- ⚠️ SINGLE PACKAGING: 1 PIECE OF EACH COMPONENT PACKED IN A FOLDING CARTON WITH AN INSTRUCTION SHEET. FOLDING CARTON PACKED IN A CORRUGATED SHIPPING BOX. SEE PACKAGING SPEC. 107-18136
- ⚠️ MULTI PACKAGING: PACKED IN A SMALL BOX AND SEPARATED BY AN CORRUGATED SPACER. 60 PIECES OF CONNECTORS ASSEMBLED WITH A BAYONET NUT AND 60 PIECES OF TERMINATION UNITS WITH ONE INSTRUCTION SHEET. SEE PACKAGING SPEC. 107-18136
- 4 APPLICATION SEE INSTRUCTION SHEET 408-18020
- 5 CABLE CROSS-SECTION AWG22: WIRE DIAMETER 1.4-1.6mm  
CABLE OUTSIDE-DIAMETER 6.5-MAX. 8.1mm
- 6 CONNECTOR ACC. TO IEC61076-3-122. ISSUED 2018.  
CONNECTOR COMPATIBLE WITH MINI IO FAMILY
- ⚠️ COATED SURFACE (TOUCHING IS NOT RECOMMENDED TO AVOID REMOVAL OF COATING DURING HANDLING PROCESS)

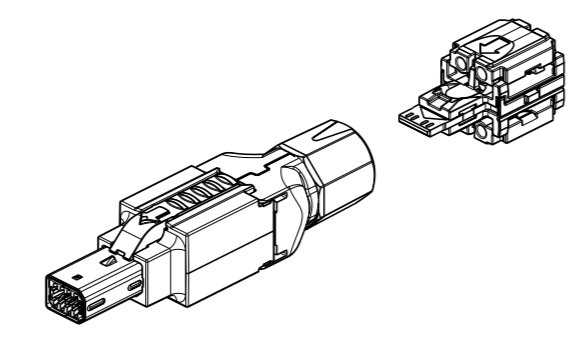
CABLE: 4 POS. AWG 22 STRANDED OR SOLID



COLOR ALLOCATION OF MINI IO CONTACTS 4 POS. TYPE:

CONTACT NO.	WIRE COLOR
1	YELLOW
2	ORANGE
3	WHITE
6	BLUE

SCALE 1:1



TE CONNECTIVITY ORDER-NO.				QUANTITY	DESCRIPTION	SURFACE COLOUR	MATERIAL	POS.
1-2350323-2	2350323-2	1-2350323-1	2350323-1	6x60	12x12	-	-	2
				-	-	6x60	12x12	1

TOLERANCING ISO 8015  
GEOMETRIC TOLERANCING ISO 1101  
SIZE ISO 14405  
GENERAL TOLERANCES ISO 2768-K

THIS DRAWING IS A CONTROLLED DOCUMENT. DIMENSIONING AND TOLERANCING PER GPS (ISO STANDARDS)

TE CONNECTIVITY

00779 ©=2350323

SCALE 5:1

SHEET 1 OF 1

REV A1