

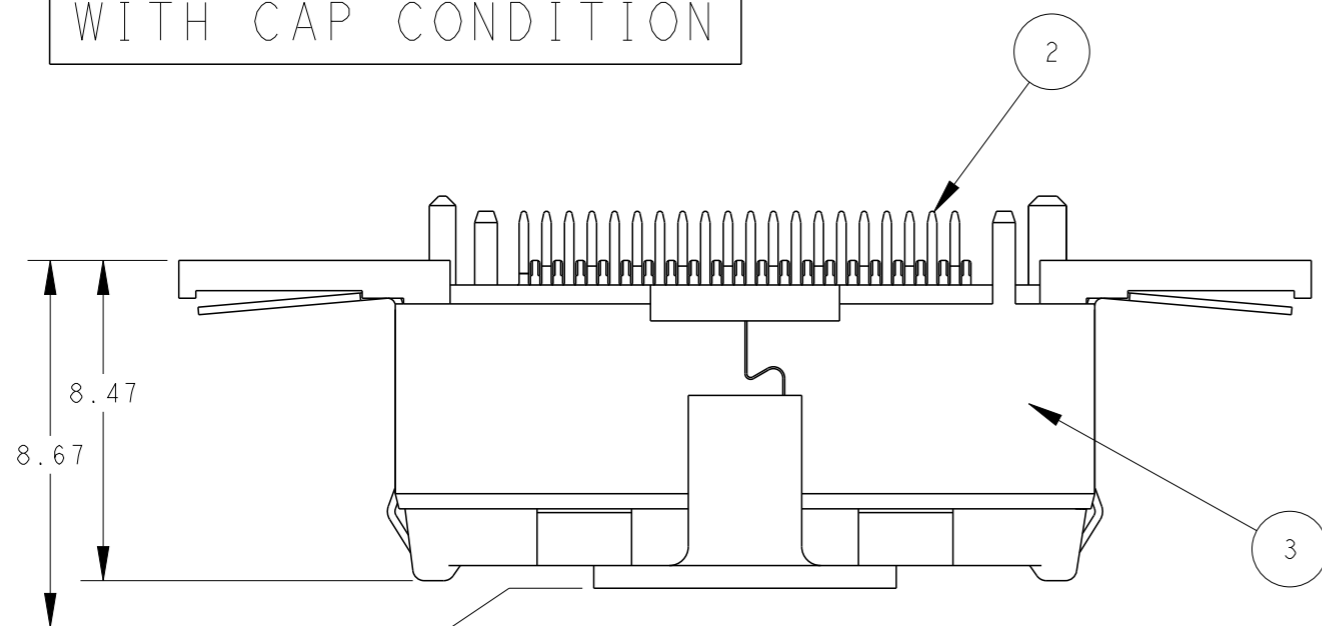
LOC DW DIST -

REVISIONS

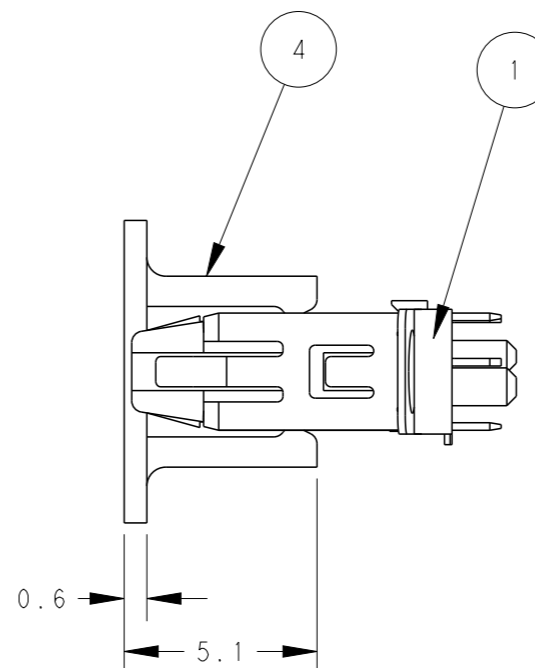
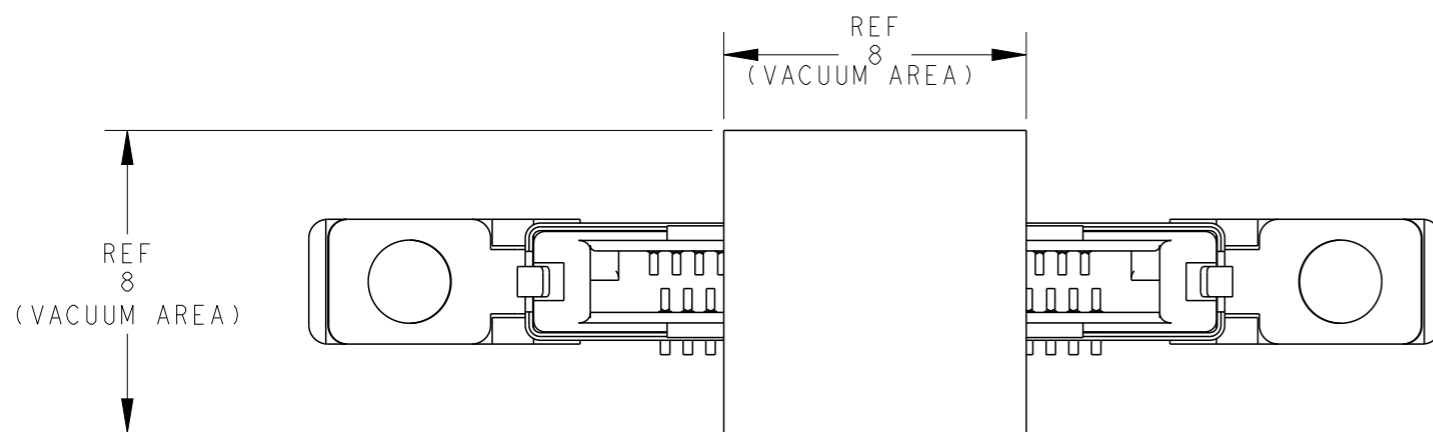
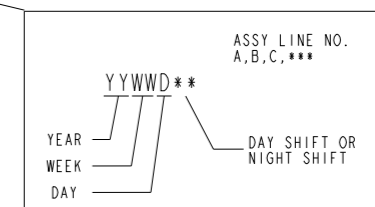
P	LTR	DESCRIPTION	DATE	DWN	APVD
	C	REVISED PER ECR-21-001601	09OCT2021	R.M	S.Z

2129261-1; AS SHOWN

WITH CAP CONDITION



- ① MATERIAL: HOUSING: THERMO-PLASTIC(UL94V-0,BLACK).
CONTACT: COPPER ALLOY.
SHELL: STAINLESS STEEL.
CAP: THERMO-PLASTIC(UL94V-0,BLACK).
- ② FINISH:
CONTACT: ALL OVER 2um MIN. Ni UNDER PLATING.
0.38um MIN. Au PLATING ON CONTACT AREA.
1~3um Tin PLATING ON TINE AREA.
SHELL: ALL OVER 1.3um MIN. Ni UNDER PLATING.
- 3. LOW HALOGEN SPECIFICATION
CHLORINE(Cl) : 900 ppm MAX.
BROMINE(Br) : 900 ppm MAX.
- ④ DATE CODE



Q'TY	NAME	ITEM
1	CAP	④
1	SHELL	③
40	CONTACT	②
1	HOUSING	①

THIS DRAWING IS A CONTROLLED DOCUMENT.

DIMENSIONS: mm	TOLERANCES UNLESS OTHERWISE SPECIFIED: 0 PLC ± 1 PLC ± 2 PLC ±0.25 3 PLC ±3° 4 PLC ± ANGLES ±	DWN T.KUO 21MAR2011	TE Connectivity
		CHK V.PENG 21MAR2011	
		APVD H.KODAMA 21MAR2011	
		PRODUCT SPEC 108-99033	
MATERIAL ①	FINISH ②	APPLICATION SPEC -	NAME PLUG ASSY, 0.6mm PITCH CHAMP DOCKING CONNECTOR, 40POS SIZE A3 CAGE CODE 00779 DRAWING NO C-2129261
		WEIGHT 1.14	RESTRICTED TO -
		CUSTOMER DRAWING	SCALE 5:1 SHEET 1 OF 5 REV C

LOC
DW

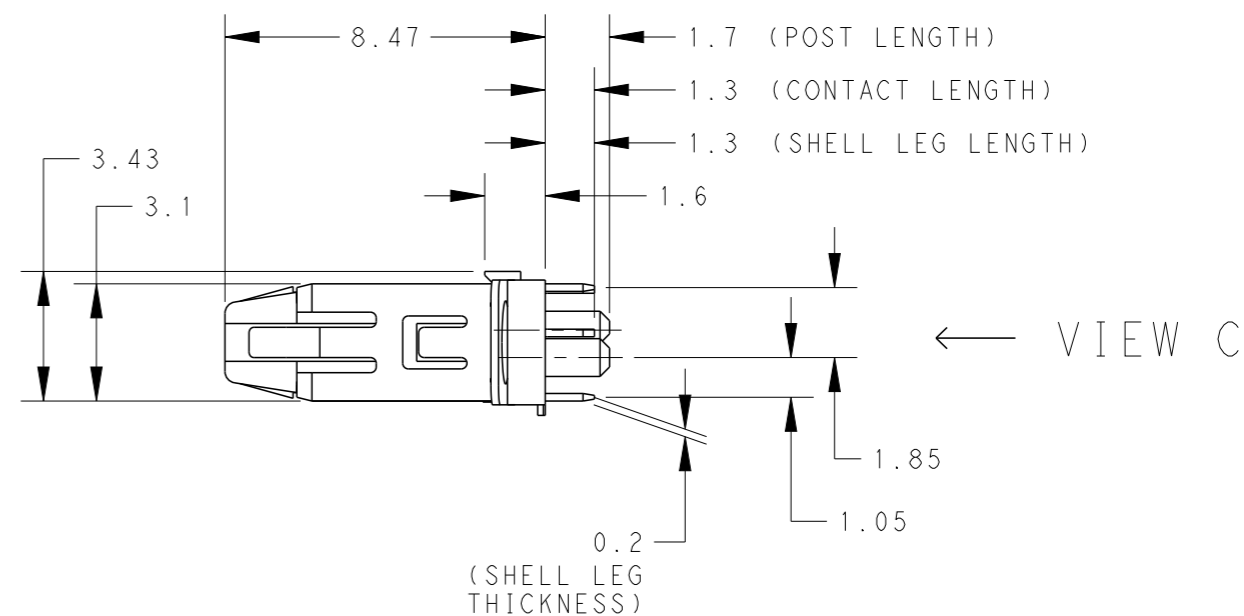
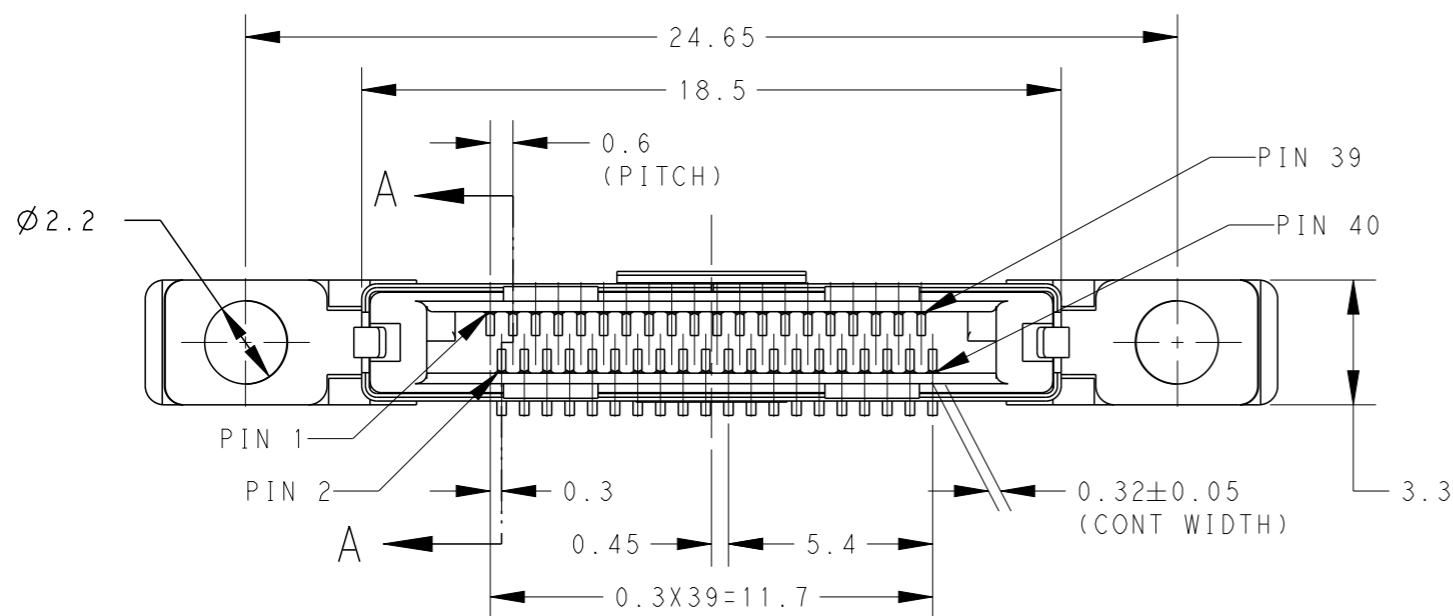
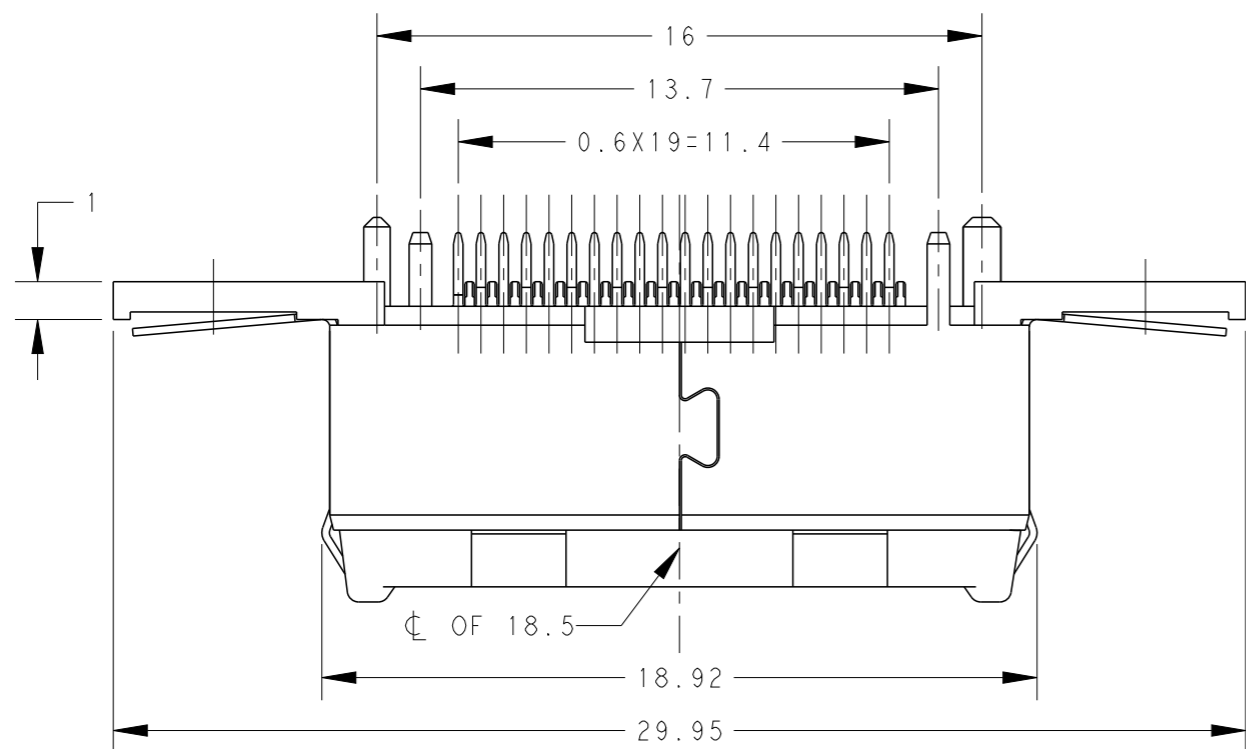
DIST

REVISIONS

P	LTR	DESCRIPTION	DATE	DWN	APVD
		SEE SHEET 1			

2129261-1; AS SHOWN

W/O CAP CONDITION



VIEW B

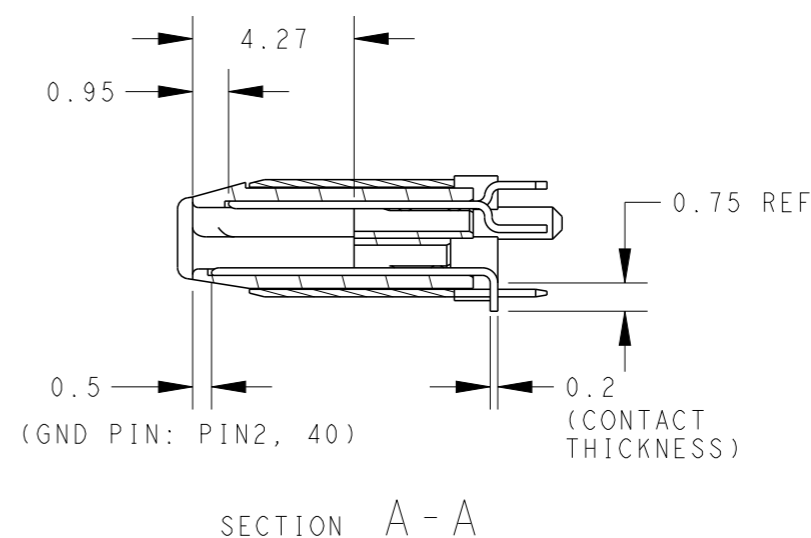
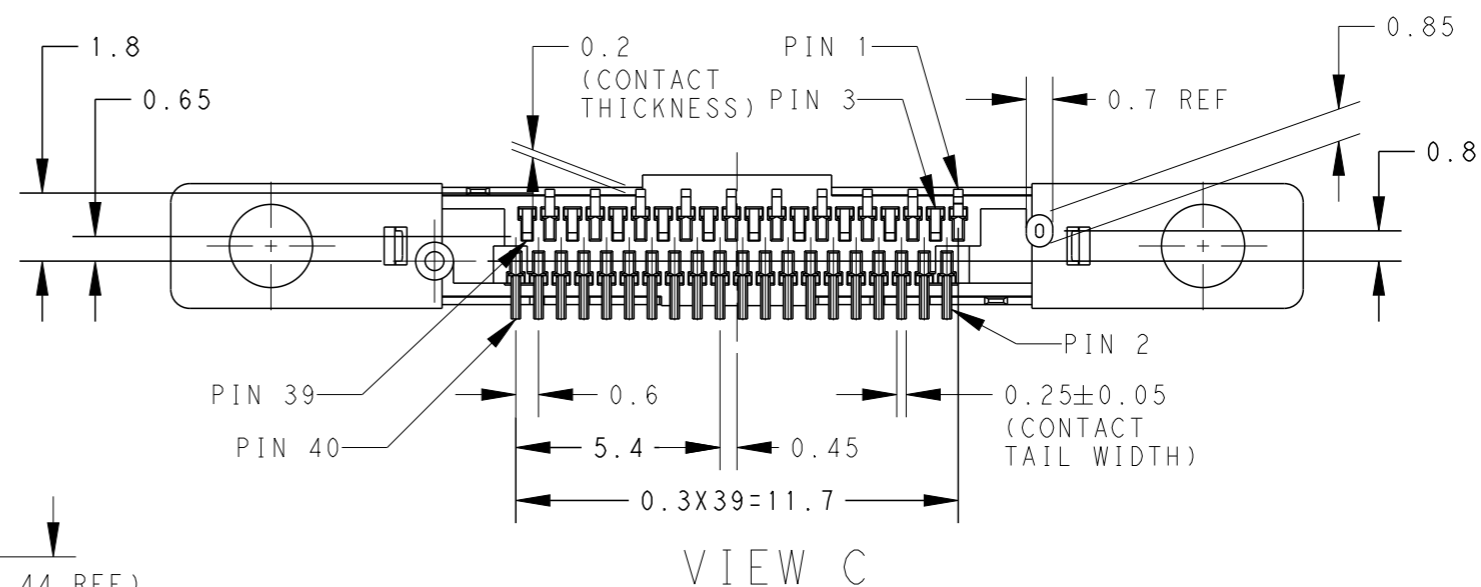
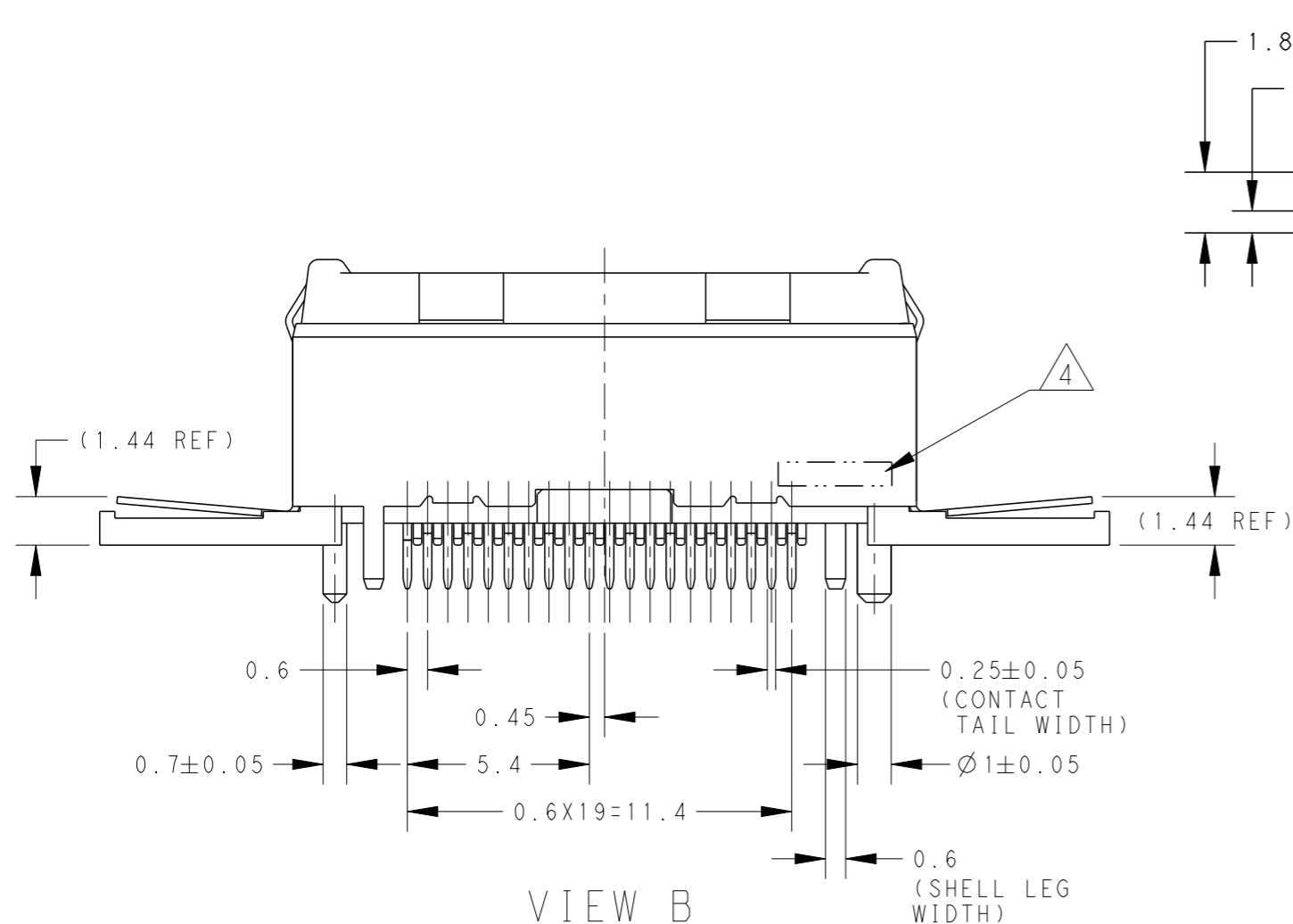
VIEW C


THIS DRAWING IS A CONTROLLED DOCUMENT.		DWN	-	STE TE Connectivity	
		CHK	-		
DIMENSIONS: mm		APVD	-	NAME PLUG ASSY, 0.6mm PITCH CHAMP DOCKING CONNECTOR, 40POS	
		TOLERANCES UNLESS OTHERWISE SPECIFIED:		PRODUCT SPEC	
		0 PLC ± 1 PLC ± ±0.25 2 PLC ± ±3° 3 PLC ± 4 PLC ± ANGLES ± FINISH -		APPLICATION SPEC	
MATERIAL		WEIGHT	0.97g	SIZE	A3
		CUSTOMER DRAWING		CAGE CODE	00779
				DRAWING NO	2129261
				RESTRICTED TO	-
				SCALE	5:1
				SHEET	2 OF 5
				REV	C

LOC DW DIST

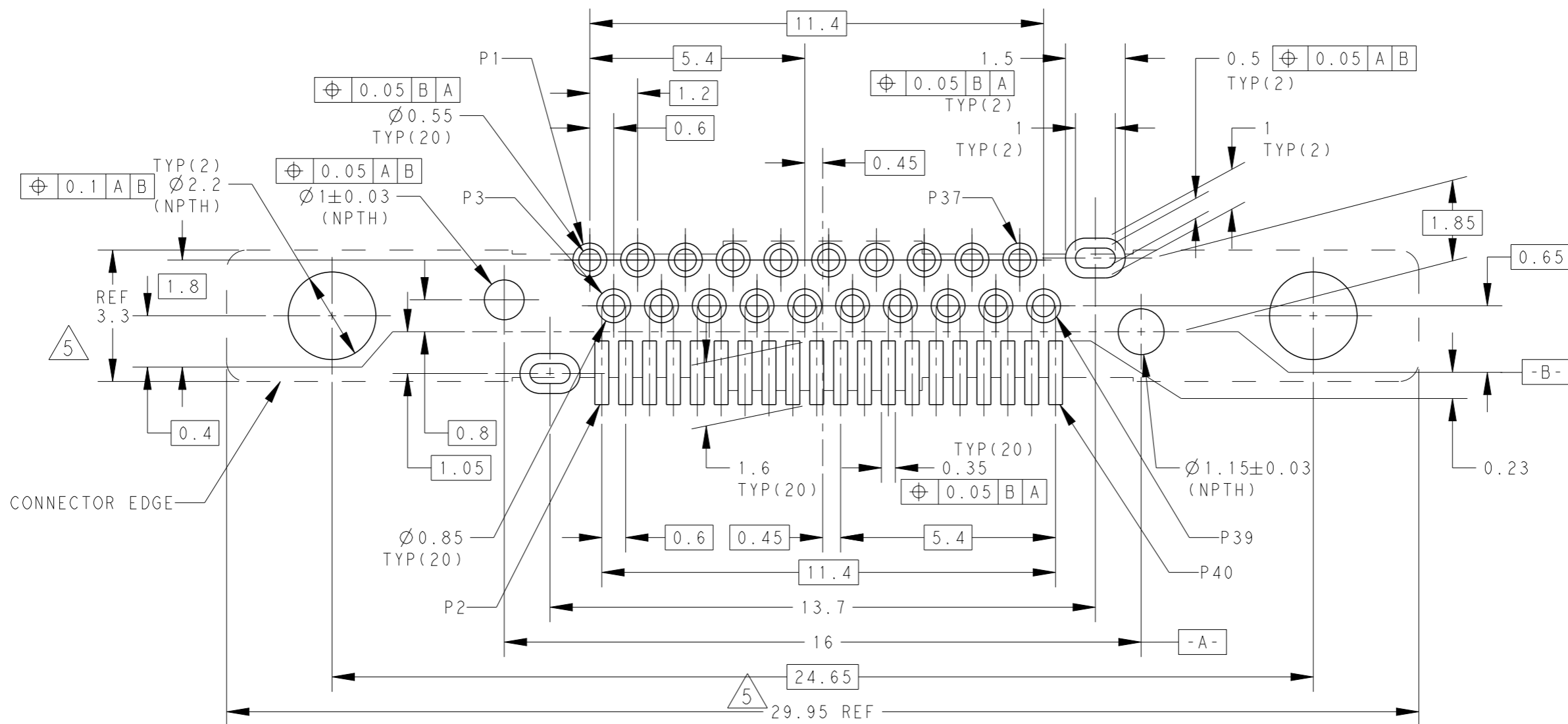
REVISIONS

P	LTR	DESCRIPTION	DATE	DWN	APVD
		SEE SHEET 1			



THIS DRAWING IS A CONTROLLED DOCUMENT.		DWN	 TE Connectivity																				
DIMENSIONS: mm		CHK																					
TOLERANCES UNLESS OTHERWISE SPECIFIED:		APVD																					
<table border="1"> <tr><td>0 PLC</td><td>±</td><td>±0.25</td></tr> <tr><td>1 PLC</td><td>±</td><td>±0.25</td></tr> <tr><td>2 PLC</td><td>±</td><td>±3°</td></tr> <tr><td>3 PLC</td><td>±</td><td>±3°</td></tr> <tr><td>4 PLC</td><td>±</td><td>±3°</td></tr> <tr><td>ANGLES</td><td>±</td><td>±</td></tr> <tr><td>FINISH</td><td>-</td><td>-</td></tr> </table>		0 PLC				±	±0.25	1 PLC	±	±0.25	2 PLC	±	±3°	3 PLC	±	±3°	4 PLC	±	±3°	ANGLES	±	±	FINISH
0 PLC	±	±0.25																					
1 PLC	±	±0.25																					
2 PLC	±	±3°																					
3 PLC	±	±3°																					
4 PLC	±	±3°																					
ANGLES	±	±																					
FINISH	-	-																					
MATERIAL		APVD	NAME PLUG ASSY, 0.6mm PITCH CHAMP DOCKING CONNECTOR, 40POS																				
		PRODUCT SPEC	SIZE	CAGE CODE	DRAWING NO																		
		APPLICATION SPEC	A3	00779	C-2129261																		
		WEIGHT	RESTRICTED TO																				
		CUSTOMER DRAWING	SCALE	SHEET	OF																		
			5:1	3	5																		
					REV C																		

SEE SHEET 1

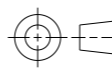


RECOMMENDED P.C. BOARD LAYOUT (TOP VIEW)

5 CONNECTOR OUTLINE

THIS DRAWING IS A CONTROLLED DOCUMENT.

DIMENSIONS:
mm



TOLERANCES UNLESS OTHERWISE SPECIFIED:

- 0 PLC ±
- 1 PLC ± ±0.05
- 2 PLC ± ±3°
- 3 PLC ±
- 4 PLC ±
- ANGLES ±
- FINISH -

MATERIAL

DWN	-
CHK	-
APVD	-
PRODUCT SPEC	-
APPLICATION SPEC	-
WEIGHT	-



TE Connectivity

NAME
PLUG ASSY, 0.6mm PITCH
CHAMP DOCKING CONNECTOR, 40POS

SIZE	CAGE CODE	DRAWING NO	RESTRICTED TO
A3	00779	C-2129261	-

CUSTOMER DRAWING

SCALE 8:1

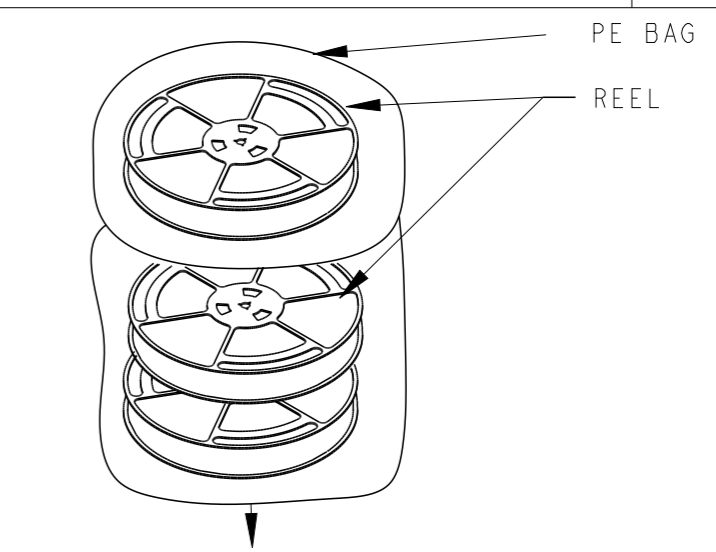
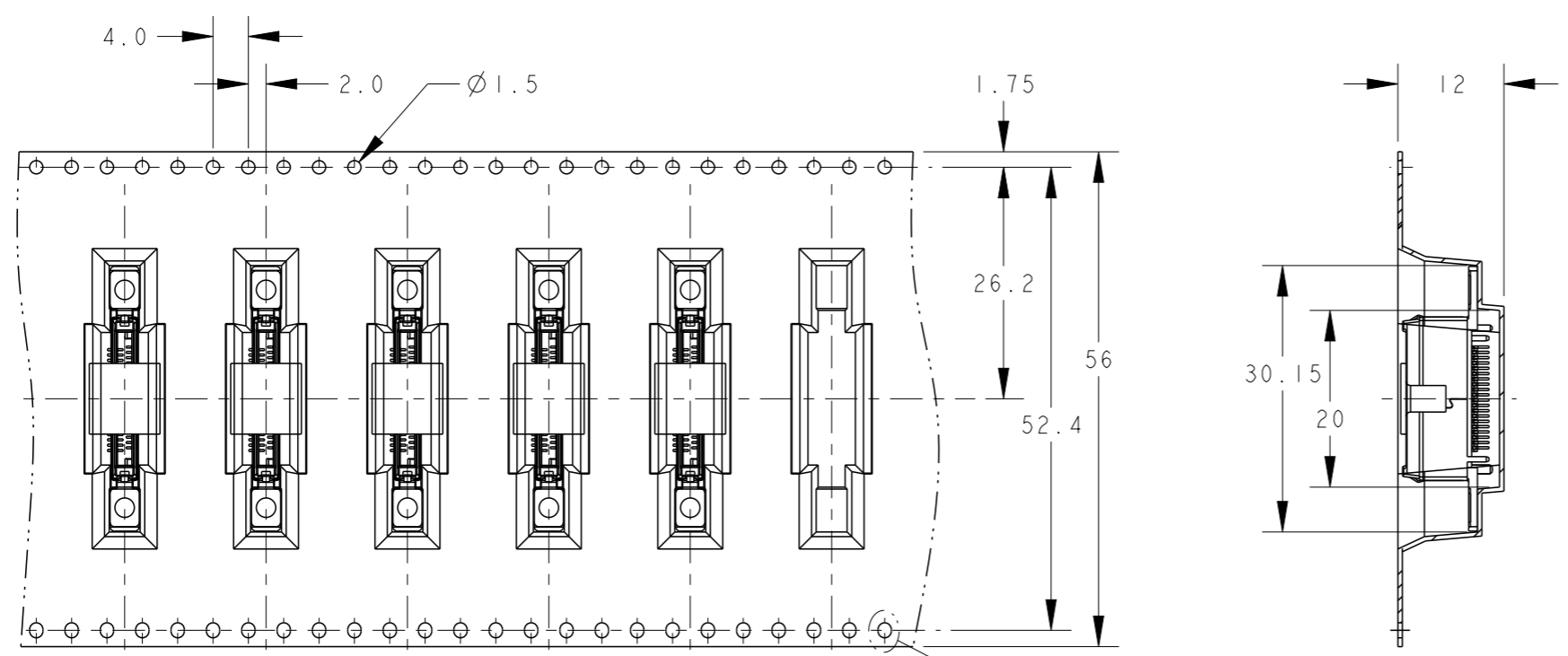
SHEET 4 OF 5

REV C

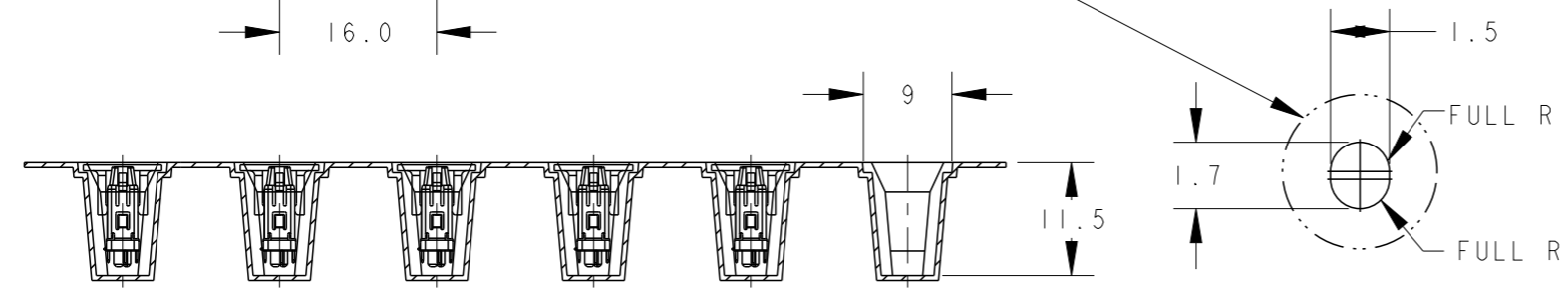
THIS DRAWING IS UNPUBLISHED. RELEASED FOR PUBLICATION 20
 © COPYRIGHT 20 BY - ALL RIGHTS RESERVED.

LOC DW DIST

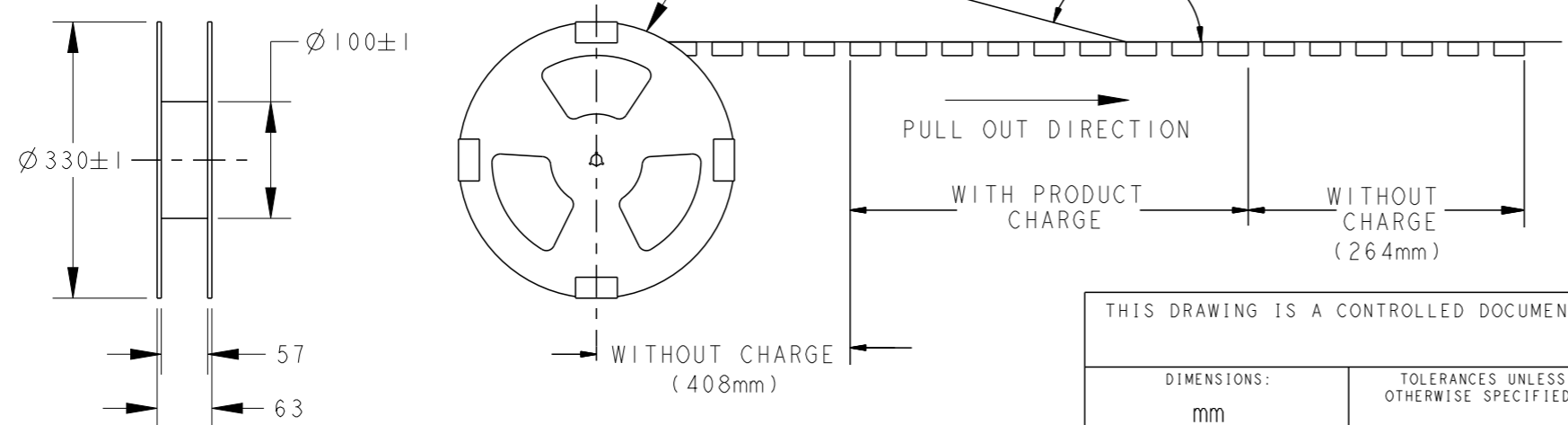
REVISIONS					
P	LTR	DESCRIPTION	DATE	DWN	APVD
		SEE SHEET 1			



SHIPPING CARTON (352X349X228)



AROUND THE OUTER PERIPHERY IN A TURN. WEEDING THE COVER TAPE
 PEELING ANGLE: 165°~180°



6. PACKING MATERIAL:
 CARRY TAPE: PS; COLOR:BLACK.
 COVER TAPE: PET; COLOR: CLEAR.
 PEELING STRENGTH OF COVER TAPE: 0.2N~1.2N

PCS/TAPE	REELS/CARTON	TOTAL QUANTITY
300	3	900

THIS DRAWING IS A CONTROLLED DOCUMENT.		DWN	-	STE TE Connectivity
DIMENSIONS: mm		CHK	-	
TOLERANCES UNLESS OTHERWISE SPECIFIED:		APVD	-	
0 PLC ±		PRODUCT SPEC	-	
1 PLC ± ±0.5		APPLICATION SPEC	-	NAME PLUG ASSY, 0.6mm PITCH CHAMP DOCKING CONNECTOR, 40POS
2 PLC ± ±3°		WEIGHT	-	
3 PLC ±		SIZE	A3	CAGE CODE 00779
4 PLC ±		DRAWING NO	C-2129261	
ANGLES ±		RESTRICTED TO	-	
FINISH -		SCALE	8:1	SHEET 5 OF 5
MATERIAL -		CUSTOMER DRAWING		REV C