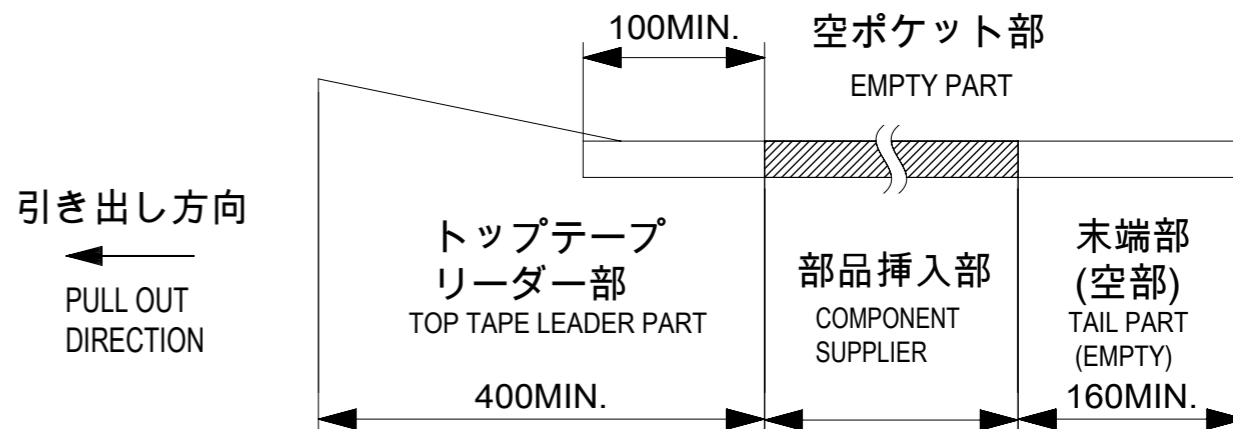


NOTES

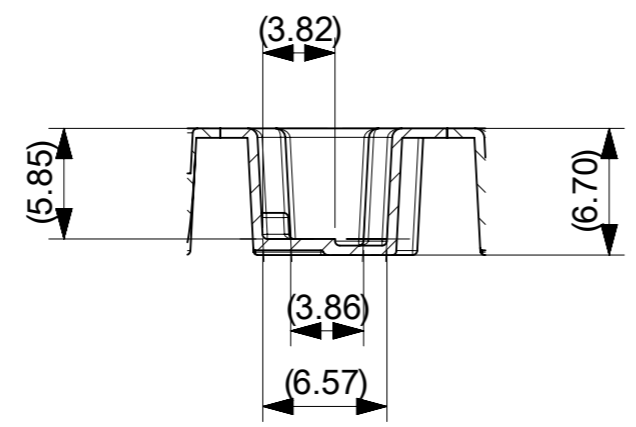
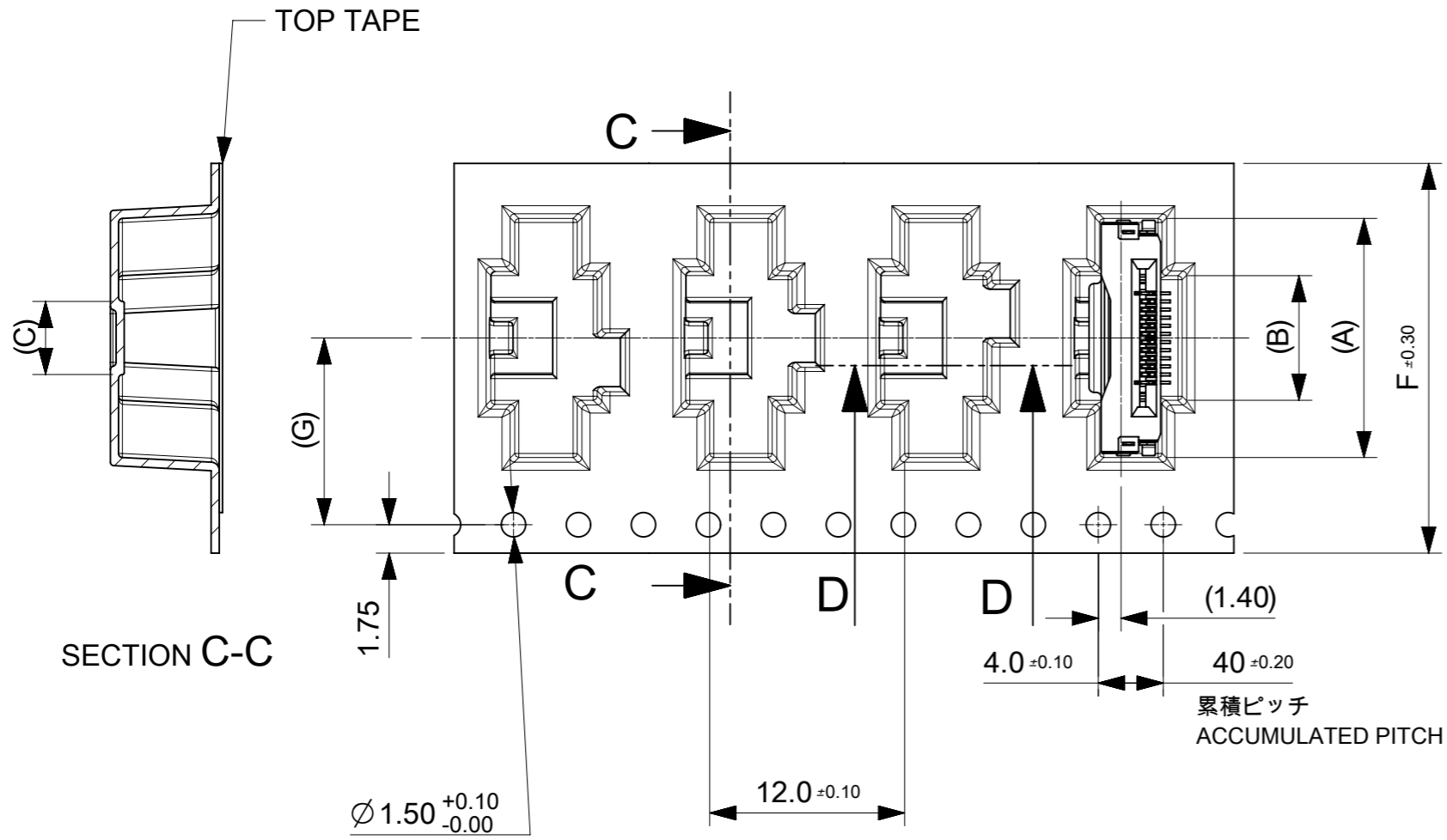
- 梱包数量 : 1200個 / リール  
NUMBER OF CONNECTORS : 1200 PCS/REEL.
- リードテープ長さ  
LEAD TAPE LENGTH



- カバーテープの剥離強度については、IEC60286-3に準拠。  
TOP TAPE PEEL FORCE IS DEFINED BY IEC 60286-3.
- 製品詳細寸法については、図面 2004851300を参照下さい。  
FOR DIMENTIONS OF PRODUCT, REFER TO 2004851300
- 材料 MATERIAL  
キャリアテープ : ポリスチレン  
CARRIER TAPE : POLYSTYRENE  
トップテープ : ポリエチレンテレフタレート、ポリエチレン  
TOP TAPE : POLYETHYLENE TEREHTHALATE, POLYETHYLENE  
リール : ポリスチレン<リサイクル材を含む>  
REEL : POLYSTYRENE RECYCLED MATERIAL CONTAINED
- ELV及びRoHS適合品 ELV AND RoHS COMPLIANT.

THIS DRAWING CONTAINS INFORMATION THAT IS PROPRIETARY TO MOLEX ELECTRONIC TECHNOLOGIES, LLC AND SHOULD NOT BE USED WITHOUT WRITTEN PERMISSION		CURRENT REV DESC:		<b>molex</b>	
DIMENSION UNITS	SCALE				
mm	NTS			EMB PKG ONE-TOUCH ST GND HT	
GENERAL TOLERANCES (UNLESS SPECIFIED)				PRODUCT CUSTOMER DRAWING	
ANGULAR TOL	± 1.0 °			DOCUMENT NUMBER	
4 PLACES	± 0.1	EC NO: 648126		2004850300	
3 PLACES	± 0.1	DRWN: TYAMANE		PSD	
2 PLACES	± 0.1	2020/10/15		000	
1 PLACE	± 0.1	CHK'D: YMATSUMOTO		B	
0 PLACES	± 0.1	2020/10/30			
DRAFT WHERE APPLICABLE MUST REMAIN WITHIN DIMENSIONS		APPR: SHOSHIKAWA		REVISION	
THIRD ANGLE PROJECTION		INITIAL REVISION:		MATERIAL NUMBER	
DRAWING		DRWN: TYAMANE		CUSTOMER	
A3-SIZE		2018/10/04		GENERAL	
SERIES		2020/06/08		SHEET NUMBER	
200485				1 OF 3	

引き出し方向  
PULL OUT  
DIRECTION



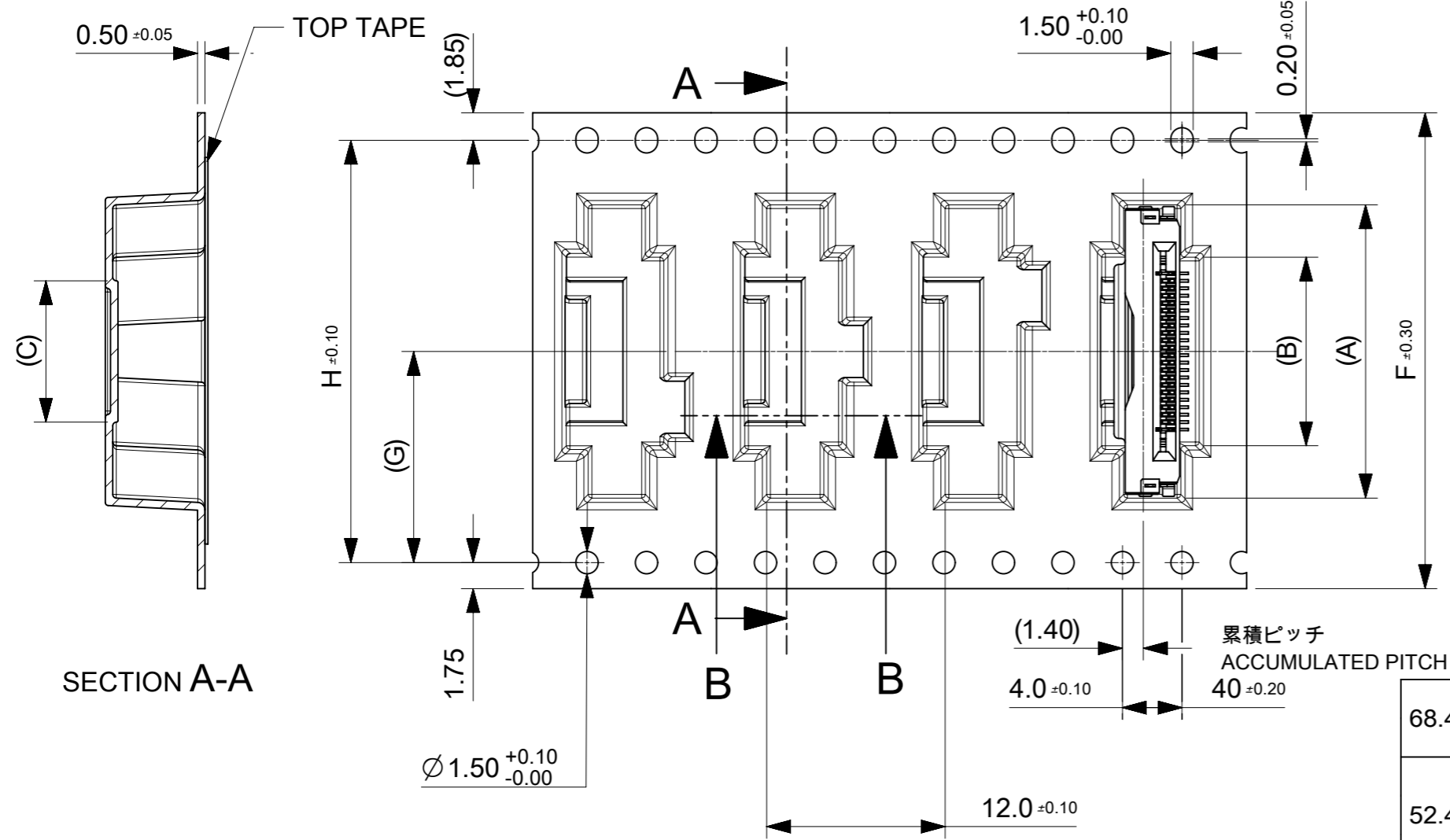
SECTION D-D

11.5	24	29.4	25.4	4.5	7.65	14.7	2004850310		10
G	F	E	D	C	B	A	EMBOSSED PACKAGE		Ckt
							オーダー番号 ORDER NO.		

THIS DRAWING CONTAINS INFORMATION THAT IS PROPRIETARY TO MOLEX ELECTRONIC TECHNOLOGIES, LLC AND SHOULD NOT BE USED WITHOUT WRITTEN PERMISSION											
DIMENSION UNITS mm		SCALE NTS		CURRENT REV DESC:						<b>molex</b>	
GENERAL TOLERANCES (UNLESS SPECIFIED)				EC NO: 648126							
ANGULAR TOL ± 1.0 °				DRWN: TYAMANE 2020/10/15						EMB PKG ONE-TOUCH ST GND HT	
4 PLACES ± 0.1				CHK'D: YMATSUMOTO 2020/10/30						PRODUCT CUSTOMER DRAWING	
3 PLACES ± 0.1				APPR: SHOSHIKAWA 2020/11/02						DOCUMENT NUMBER	
2 PLACES ± 0.1				INITIAL REVISION:						2004850300	
1 PLACE ± 0.1				DRWN: TYAMANE 2018/10/04						DOC TYPE	
0 PLACES ± 0.1				APPR: SHOSHIKAWA 2020/06/08						PSD	
DRAFT WHERE APPLICABLE MUST REMAIN WITHIN DIMENSIONS				THIRD ANGLE PROJECTION		DRAWING		SERIES		SHEET NUMBER	
				A3-SIZE		200485		GENERAL		2 OF 3	

CONNECTOR NO. 20048513\*\*

引き出し方向  
PULL OUT  
DIRECTION



SECTION A-A

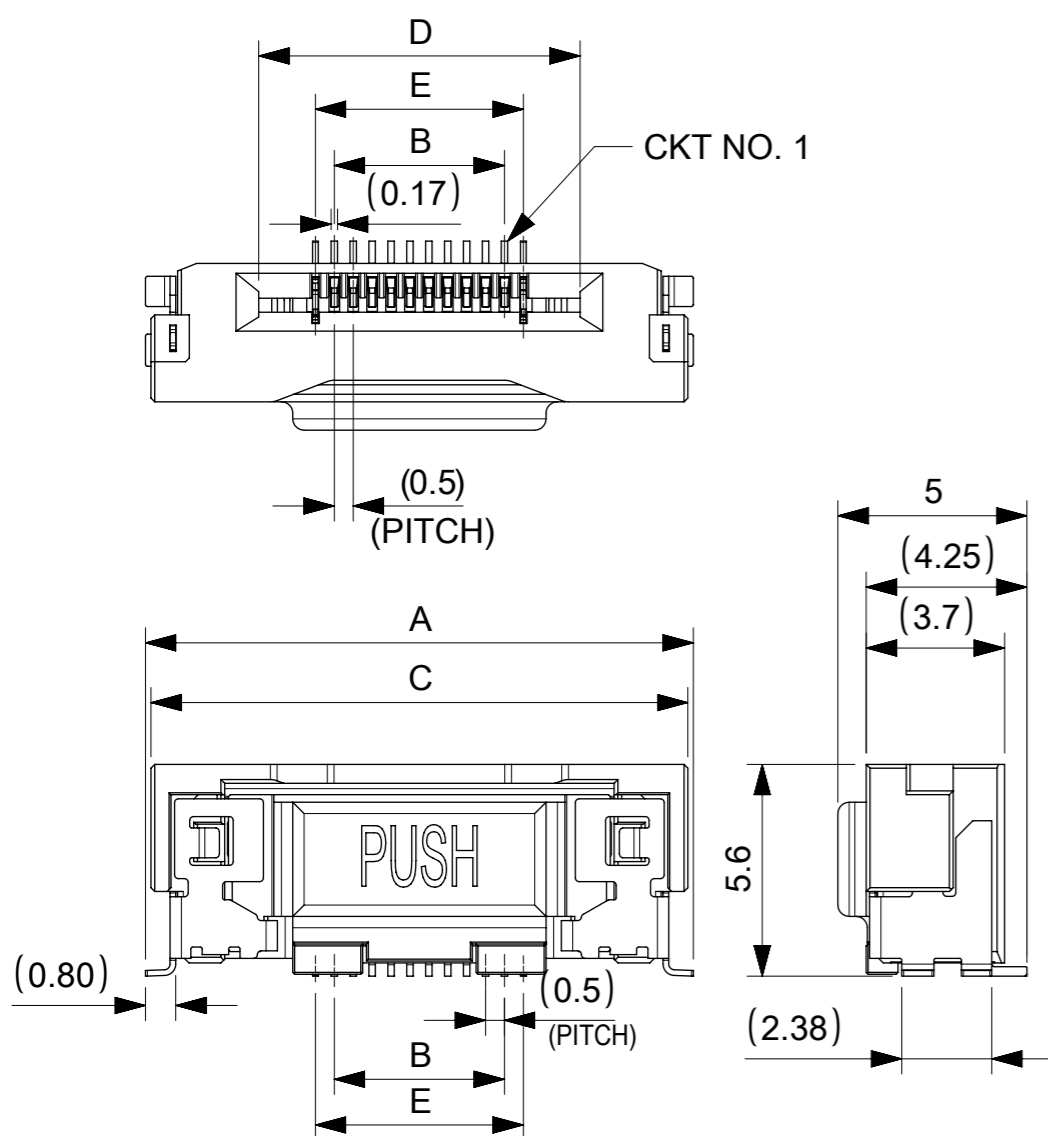
SECTION B-B

CONNECTOR NO. 20048513\*\*

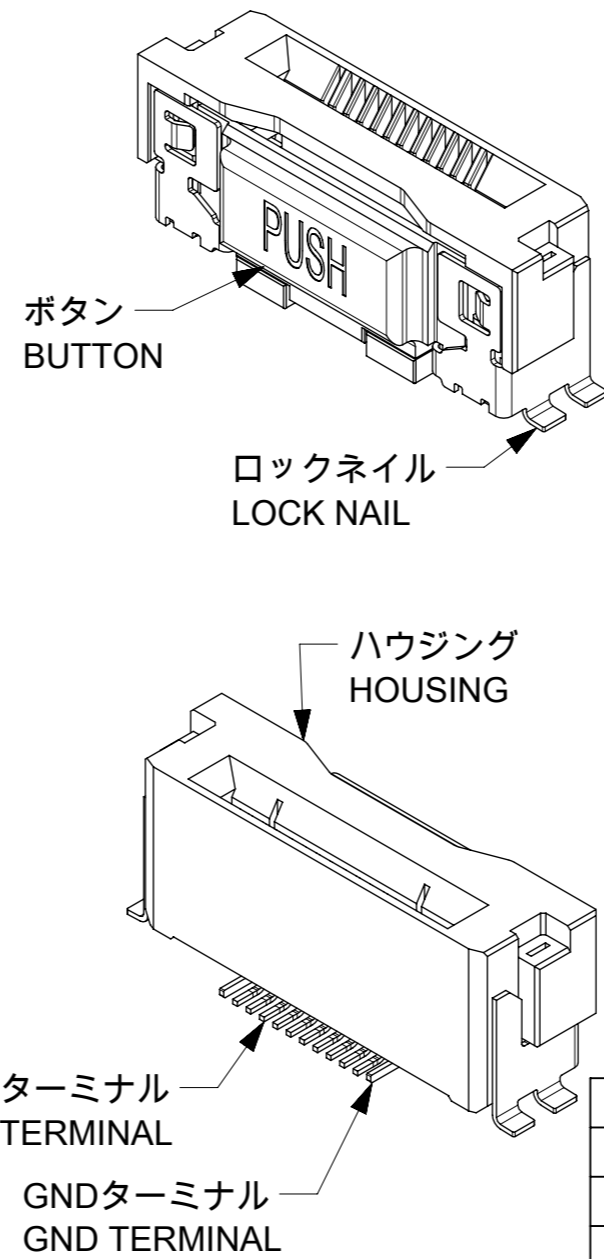
68.4	34.2	72	78.1	73.5	39.5	42.65	49.7	2004850380	80
					34.5	37.65	44.7	2004850370	70
52.4	26.2	56	61.4	75.4	29.5	32.65	39.7	2004850360	60
					25	28.15	35.2	2004850351	51
40.4	20.2	44	49.4	45.4	24.5	27.65	34.7	2004850350	50
					19.5	22.65	29.7	2004850340	40
					17	20.15	27.2	2004850335	35
28.4	14.2	32	37.4	33.4	14.5	17.65	24.7	2004850330	30
					9.5	12.65	19.7	2004850320	20
H	G	F	E	D	C	B	A	EMBOSSED PACKAGE	Ckt
								オーダー番号 ORDER NO.	

THIS DRAWING CONTAINS INFORMATION THAT IS PROPRIETARY TO MOLEX ELECTRONIC TECHNOLOGIES, LLC AND SHOULD NOT BE USED WITHOUT WRITTEN PERMISSION

DIMENSION UNITS	SCALE	CURRENT REV DESC:		<b>molex</b>	
mm	NTS				
GENERAL TOLERANCES (UNLESS SPECIFIED)		EC NO: 648126		EMB PKG ONE-TOUCH ST GND HT	
ANGULAR TOL ± 1.0°		DRWN: TYAMANE 2020/10/15		PRODUCT CUSTOMER DRAWING	
4 PLACES ± 0.1		CHK'D: YMATSUMOTO 2020/10/30		DOCUMENT NUMBER	
3 PLACES ± 0.1		APPR: SHOSHIKAWA 2020/11/02		2004850300	
2 PLACES ± 0.1		INITIAL REVISION:		DOC TYPE	
1 PLACE ± 0.1		DRWN: TYAMANE 2018/10/04		PSD	
0 PLACES ± 0.1		APPR: SHOSHIKAWA 2020/06/08		DOC PART	
DRAFT WHERE APPLICABLE MUST REMAIN WITHIN DIMENSIONS		THIRD ANGLE PROJECTION		REVISION	
		DRAWING		B	
		SERIES		SHEET NUMBER	
		A3-SIZE		3 OF 3	
		MATERIAL NUMBER		CUSTOMER	
		200485		GENERAL	
		SEE TABLE			

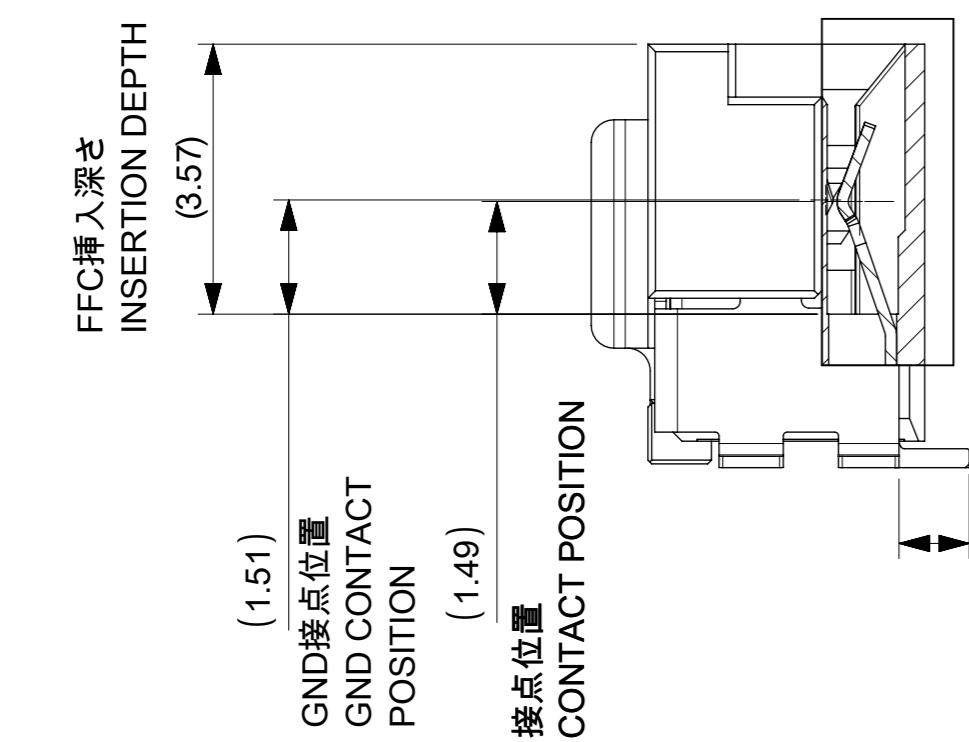


CKT NO. 1



NOTES:

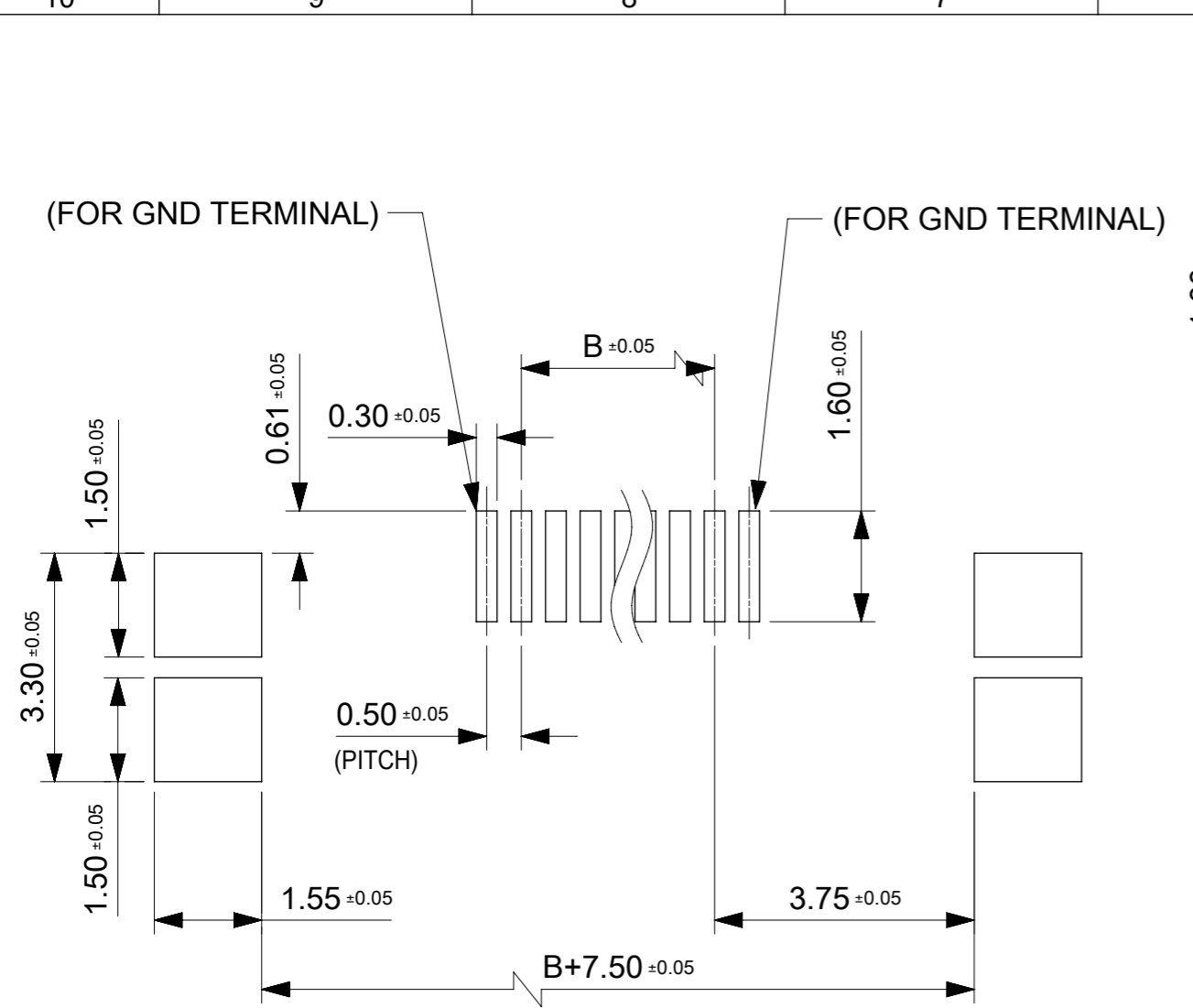
- 1.使用材料 MATERIAL  
 ハウジング：液晶ポリマー，ガラス充填，UL94V-0(黒)  
 HOUSING：LIQUID CRYSTAL POLYMER，GLASS FILLED，UL94V-0(BLACK)  
 ボタン：液晶ポリマー，ガラス充填，UL94V-0(ナチュラル)  
 BUTTON：LIQUID CRYSTAL POLYMER，GLASS FILLED，UL94V-0(NATURAL)  
 ターミナル：銅合金(t=0.15)  
 TERMINAL：COPPER ALLOY  
 ロックネール：銅合金(t=0.15)  
 LOCK NAIL：COPPER ALLOY  
 GNDターミナル：銅合金(t=0.15)  
 GND TERMINAL：COPPER ALLOY
- 2.めっき仕様 PLATING  
 ターミナル TERMINAL  
 接点部：金めっき 0.1μm以上  
 CONTACT AREA：GOLD 0.1 MICROMETER MINIMUM  
 半田付け部：金めっき  
 SOLDER TAIL AREA：GOLD  
 下地めっき：ニッケル 1.0μm以上  
 UNDERPLATE：NICKEL 1.0 MICROMETER MINIMUM  
 ロックネール LOCK NAIL  
 錫めっき(1.0μm以上)  
 TIN PLATING (1.0 MICROMETER MIN.)  
 GNDターミナル GND TERMINAL  
 錫めっき(1.0μm以上)  
 TIN PLATING (1.0 MICROMETER MIN.)
- 3.平坦度は0.1ミリ以下とする。  
 COPLANALITY TO BE 0.1 MAXIMUM.



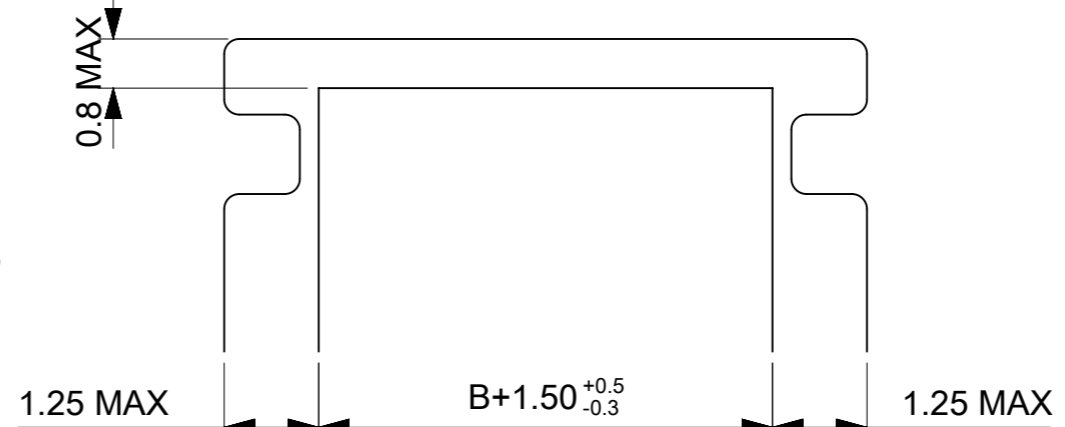
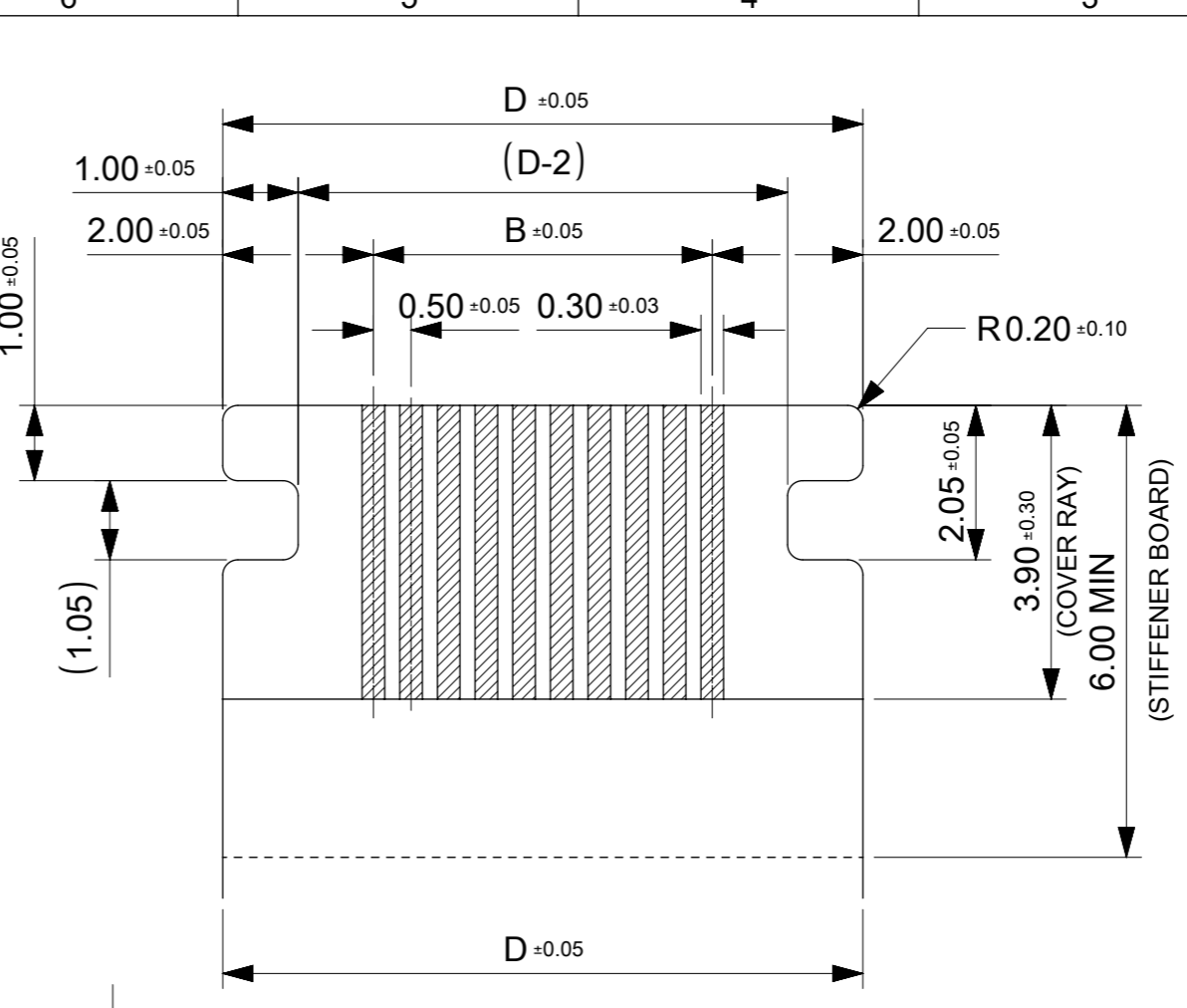
1.323	40.5	43.5	49.2	39.5	49.49	2004850380	80
1.215	35.5	38.5	44.2	34.5	44.49	2004850370	70
1.072	30.5	33.5	39.2	29.5	39.49	2004850360	60
0.957	26	29	34.7	25	34.99	2004850351	51
0.942	25.5	28.5	34.2	24.5	34.49	2004850350	50
0.796	20.5	23.5	29.2	19.5	29.49	2004850340	40
0.702	18	21	26.7	17	26.99	2004850335	35
0.650	15.5	18.5	24.2	14.5	24.49	2004850330	30
0.504	10.5	13.5	19.2	9.5	19.49	2004850320	20
0.358	5.5	8.5	14.2	4.5	14.49	2004850310	10
NET WEIGHT (g)	E	D	C	B	A	EMBOSSED PACKAGE	CIRC UIT
CONNECTOR SERIES NO. 20048513**						ORDER NO.	

THIS DRAWING CONTAINS INFORMATION THAT IS PROPRIETARY TO MOLEX ELECTRONIC TECHNOLOGIES, LLC AND SHOULD NOT BE USED WITHOUT WRITTEN PERMISSION

DIMENSION UNITS mm	SCALE 5:1	CURRENT REV DESC:		<b>molex</b>		
GENERAL TOLERANCES (UNLESS SPECIFIED)		EC NO: 674194				
ANGULAR TOL ± 1.0°	4 PLACES ± 0.1	DRWN: AHMADI2	2021/08/18	PRODUCT CUSTOMER DRAWING		
3 PLACES ± 0.1	2 PLACES ± 0.1	CHK'D: TKON	2021/08/19	DOCUMENT NUMBER		
1 PLACE ± 0.1	0 PLACES ± 0.1	APPR: SHOSHIKAWA	2021/08/19	DOC TYPE		
DRAFT WHERE APPLICABLE MUST REMAIN WITHIN DIMENSIONS		INITIAL REVISION:		DOC PART		
THIRD ANGLE PROJECTION		DRWN: AOKAJIMA	2017/03/08	REVISION		
DRAWING		APPR: SHOSHIKAWA	2020/06/08	2004851300		
SERIES		MATERIAL NUMBER		CUSTOMER		
A3-SIZE		200485		SEE TABLE		
SHEET NUMBER		GENERAL		1 OF 2		

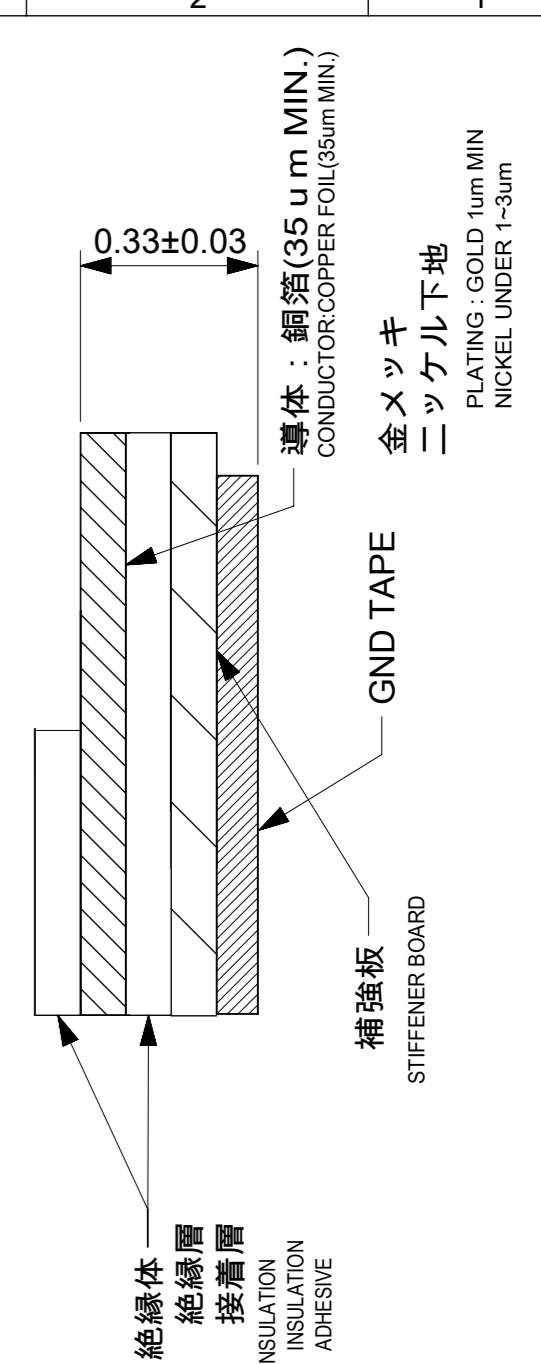


推奨PWB寸法  
**RECOMMENDED PWB DIMENSION**  
 推奨メタルマスク厚、開口率：t=0.12mm, 80%  
**RECOMMENDED METAL MASK THICKNESS, APERTURE RATIO : t=0.12mm, 80%**  
 ロックネイル部開口部は100%  
**APERTURE RATIO FOR LOCK NAIL: 100%**



推奨FFC寸法  
**RECOMMENDED FFC DIMENSION**

抜き方向は導体側から補強版側を推奨します  
**RECOMMENDED PUNCHING DIRECTION:  
 FROM CONDUCTOR SIDE TO STIFFENER SIDE**



DOCUMENT STATUS	P1	RELEASE DATE	2021/08/19	01:59:56
-----------------	----	--------------	------------	----------

THIS DRAWING CONTAINS INFORMATION THAT IS PROPRIETARY TO MOLEX ELECTRONIC TECHNOLOGIES, LLC AND SHOULD NOT BE USED WITHOUT WRITTEN PERMISSION				
DIMENSION UNITS	SCALE	CURRENT REV DESC:		
mm	10:1	<b>molex</b> 0.5FFC CONN. ST ONE TOUCH ASSY GND HT PRODUCT CUSTOMER DRAWING		
GENERAL TOLERANCES (UNLESS SPECIFIED)				
ANGULAR TOL	± 1.0 °			
4 PLACES	± 0.1			
3 PLACES	± 0.1			
2 PLACES	± 0.1			
1 PLACE	± 0.1	EC NO: 674194 DRWN: AHMADI2 2021/08/18 CHK'D: TKON 2021/08/19 APPR: SHOSHIKAWA 2021/08/19		
0 PLACES	± 0.1	INITIAL REVISION: DRWN: AOKAJIMA 2017/03/08 APPR: SHOSHIKAWA 2020/06/08		
DRAFT WHERE APPLICABLE MUST REMAIN WITHIN DIMENSIONS	THIRD ANGLE PROJECTION	DRAWING	SERIES	MATERIAL NUMBER
		A3-SIZE	200485	SEE TABLE
		CUSTOMER	SHEET NUMBER	
		GENERAL	2 OF 2	

FORMAT: master-b-prod-A3  
 REVISION: J  
 DATE: 2020/1/14