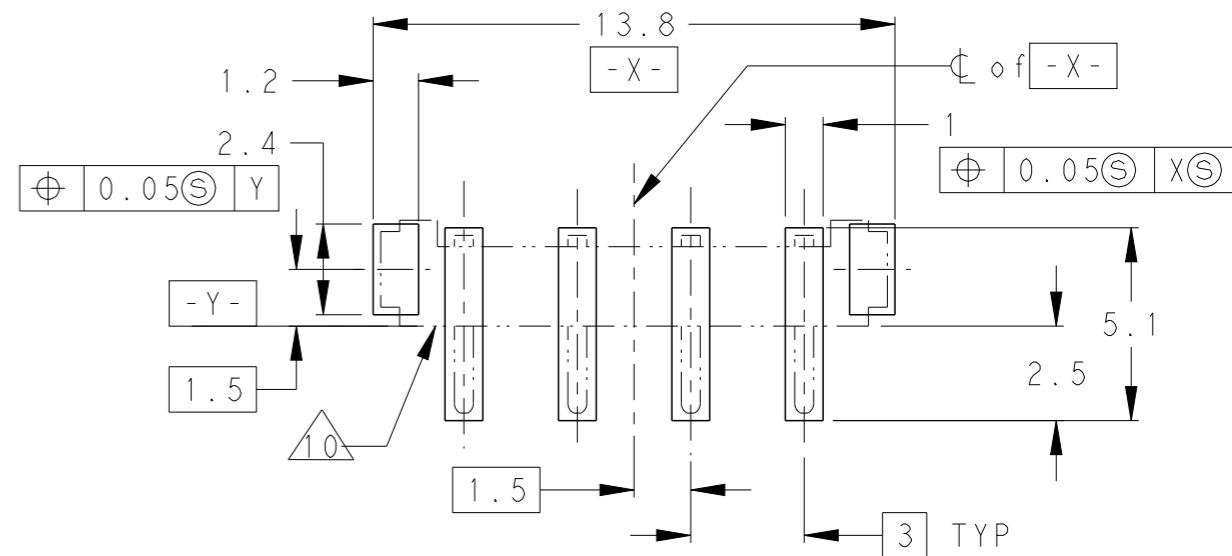
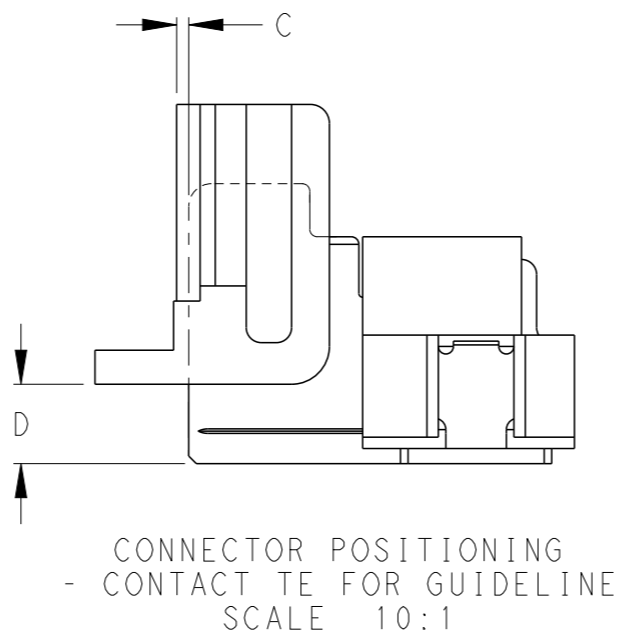
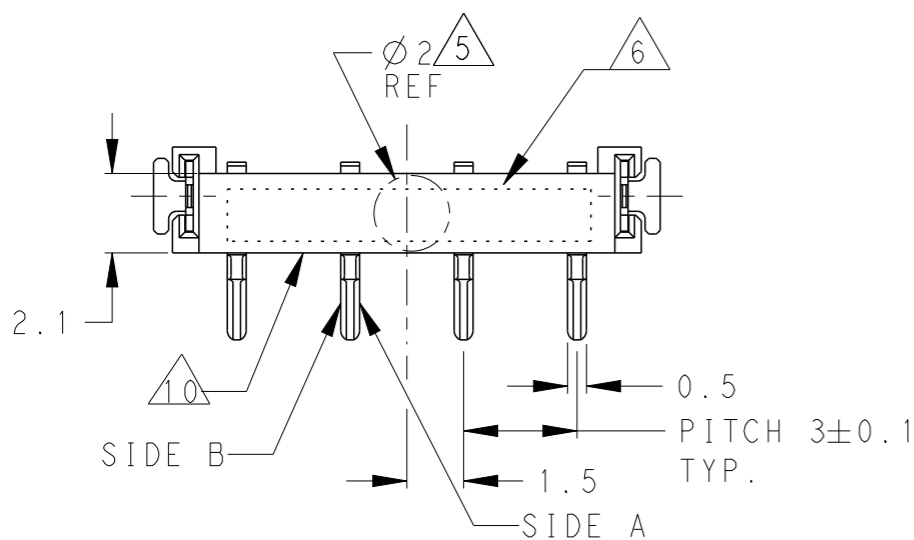
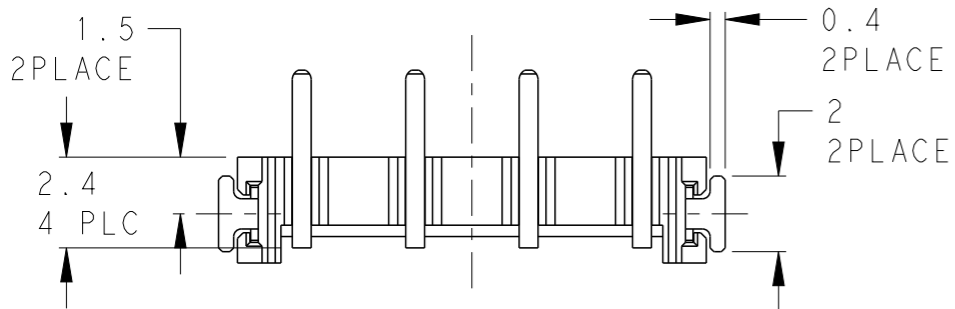
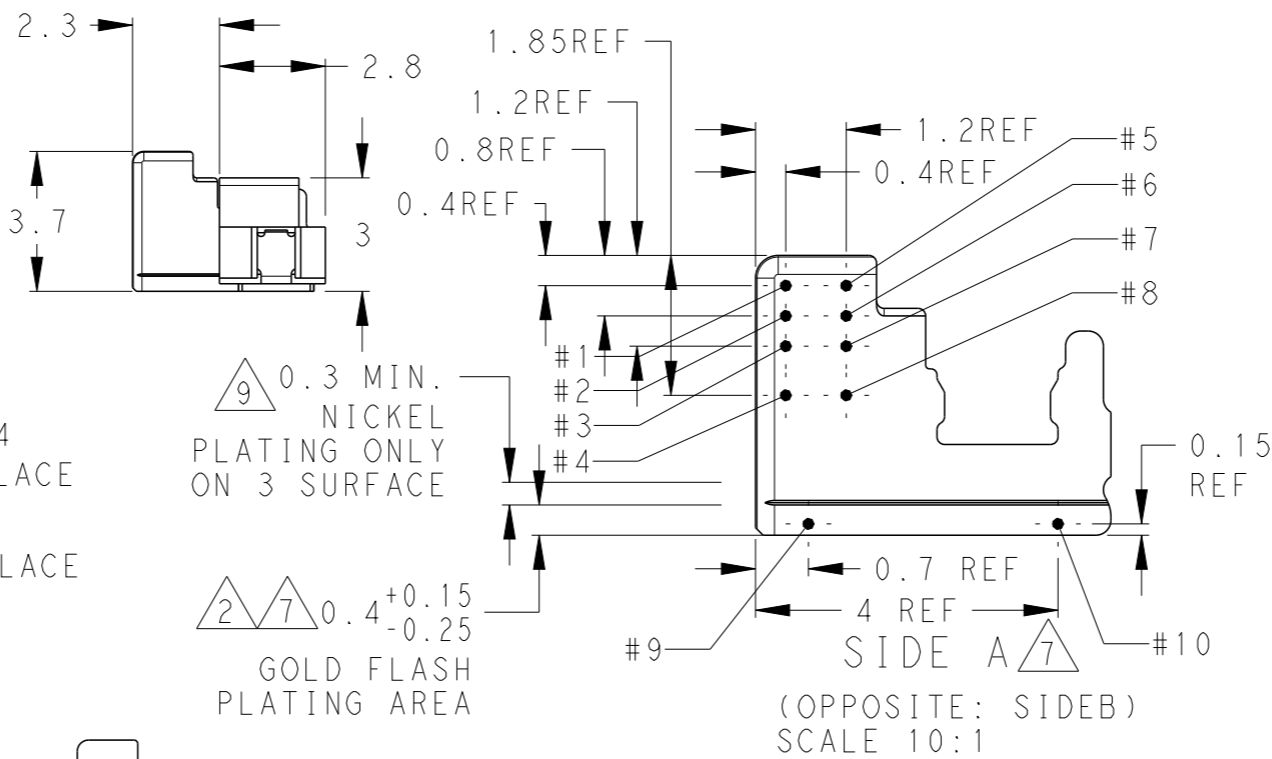
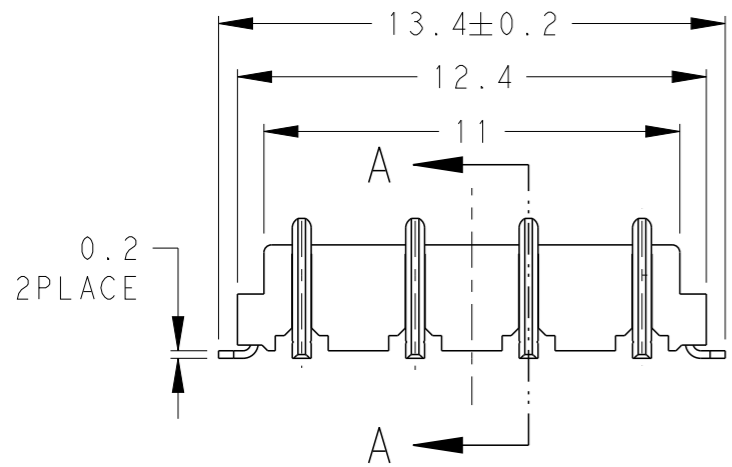


LOC	DIST	REVISIONS					
ES	-	P	LTR	DESCRIPTION	DATE	DWN	APVD
		AI		RELEASE ECR-11-021639	25OCT2011	J. J	S. Y

RESTRICTED TO Motorola, Inc.

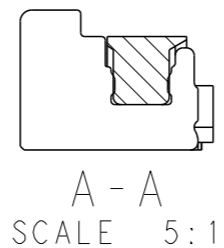
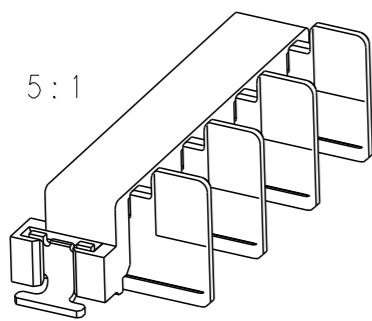


REFERENCE P.C BOARD LAYOUT
 (GENERAL TOLERANCE: ±0.05, SCALE 5:1)



- 1. MATERIAL
CONTACT: BRASS
HOUSING: LCP, UL94V-0, BLACK
SOLDER PEG: BRASS
- 2. FINISH
CONTACT: NICKEL ALL OVER UNDER PLATING, 3.0um MIN.
GOLD PLATING AT CONTACT AREA, 0.76um MIN.
GOLD FLASH PLATING AT LEAD AREA, 0.05-0.2um
- 3. FINISH
SOLDER PEG: NICKEL ALL OVER UNDER PLATING, 1.27um MIN.
TIN PLATING ALL OVER, 2-5um
- 4. COPLANARITY 0.08MAX.
- 5. PICKING AREA
- 6. DATE CODE
- 7. GOLD AND NICKEL PLATING THICKNESS MEASUREMENT POINTS BOTH SIDES SHOULD BE MEASURED. (SIDE A, B)
CONTACT AREA: #1-#8
LEAD AREA: #9, 10
- 8. STARTING AT THE END OF GOLD FLASH PLATING AREA, THERE SHALL BE A NICKEL ONLY PLATED REGION THAT GOES UP UNTIL BELOW POINTS #4 AND #8.
- 9. NICKEL PLATING ONLY ON 3 SURFACE (FRONT AND BOTH SIDE)
- 10. CONNECTOR HOUSING FRONT SURFACE.

SCALE 5:1



1-1932859-1: AS SHOWN

DIMENSIONS: mm		TOLERANCES UNLESS OTHERWISE SPECIFIED: ±0.15	
0 PLC	±	1 PLC	±0.5
1 PLC	±0.5	2 PLC	±0.13
2 PLC	±0.13	3 PLC	±0.013
3 PLC	±0.013	4 PLC	±0.0001
4 PLC	±0.0001	ANGLES	±
MATERIAL	1	FINISH	2

DWN	JONE JI	22DEC10
CHK	WENKE HE	22DEC10
APVD	STEVEN YAO	22DEC10
PRODUCT SPEC	108-61125	
APPLICATION SPEC		
WEIGHT	0.3041G	
RESTRICTED CUSTOMER		

TE TE Connectivity

NAME: FLOATING BATTERY INTERCONNECTION SYSTEMS PLUG ASSEMBLY 4POS.

SIZE	CAGE CODE	DRAWING NO	RESTRICTED TO
A3	00779	C-1932859	MOT

SCALE 4:1 SHEET 1 OF 2 REV A1

4

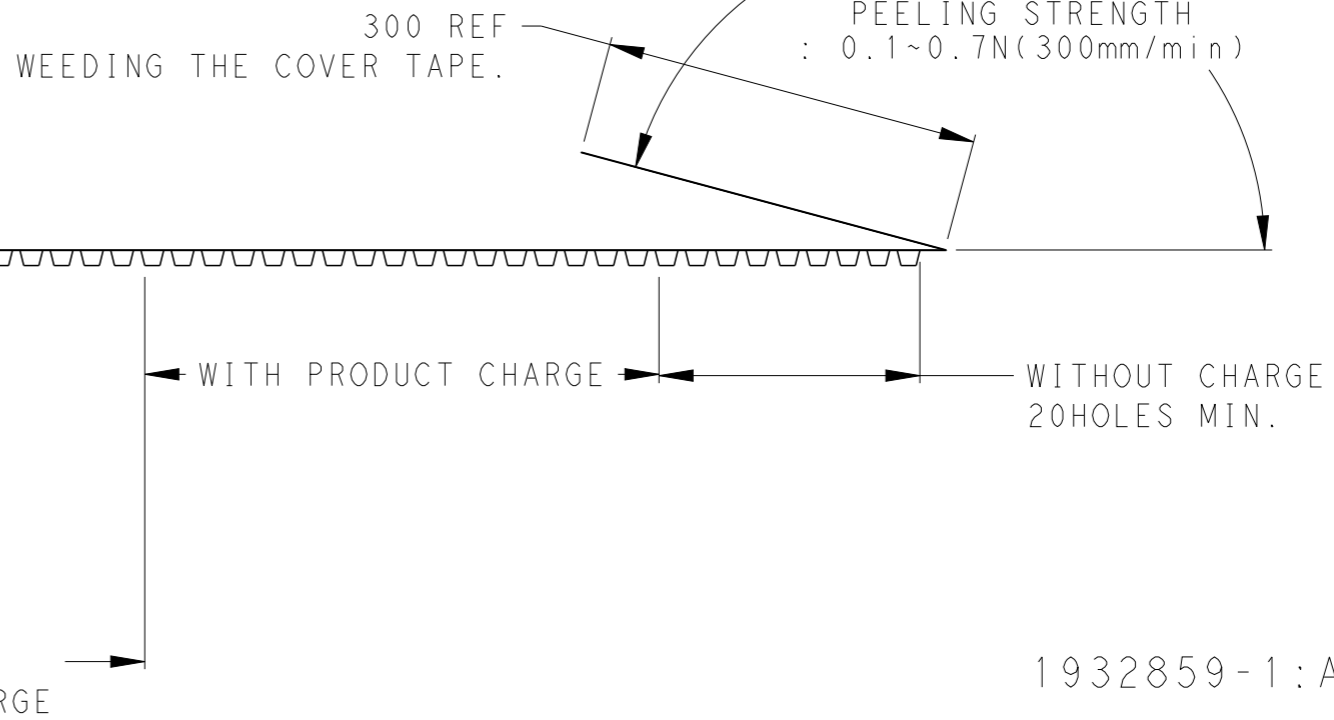
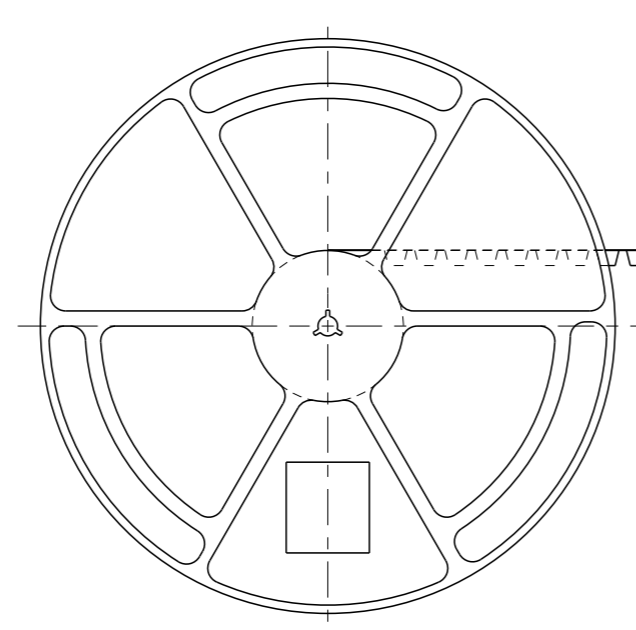
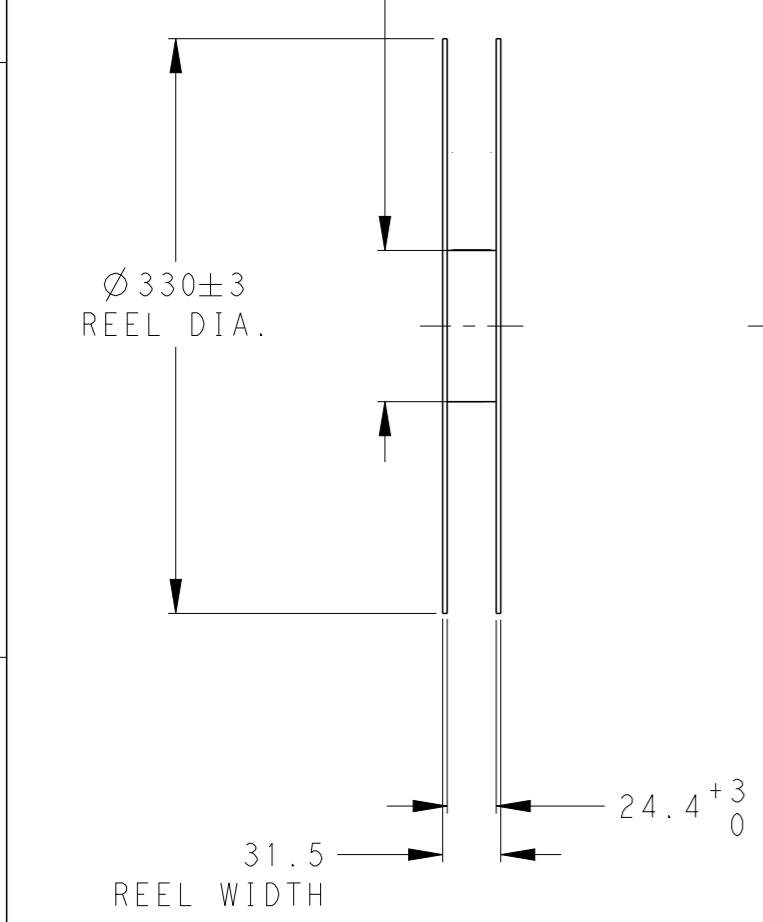
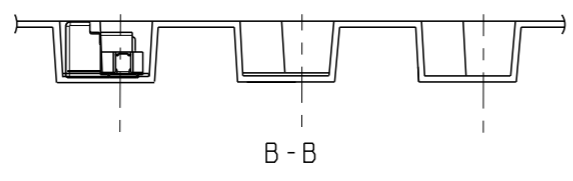
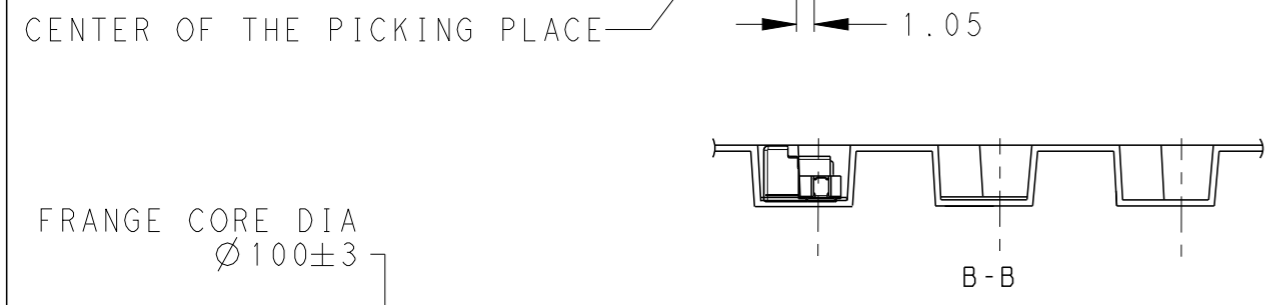
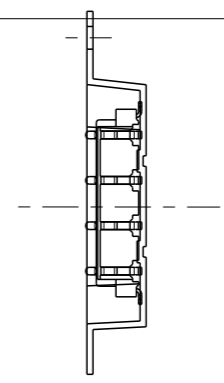
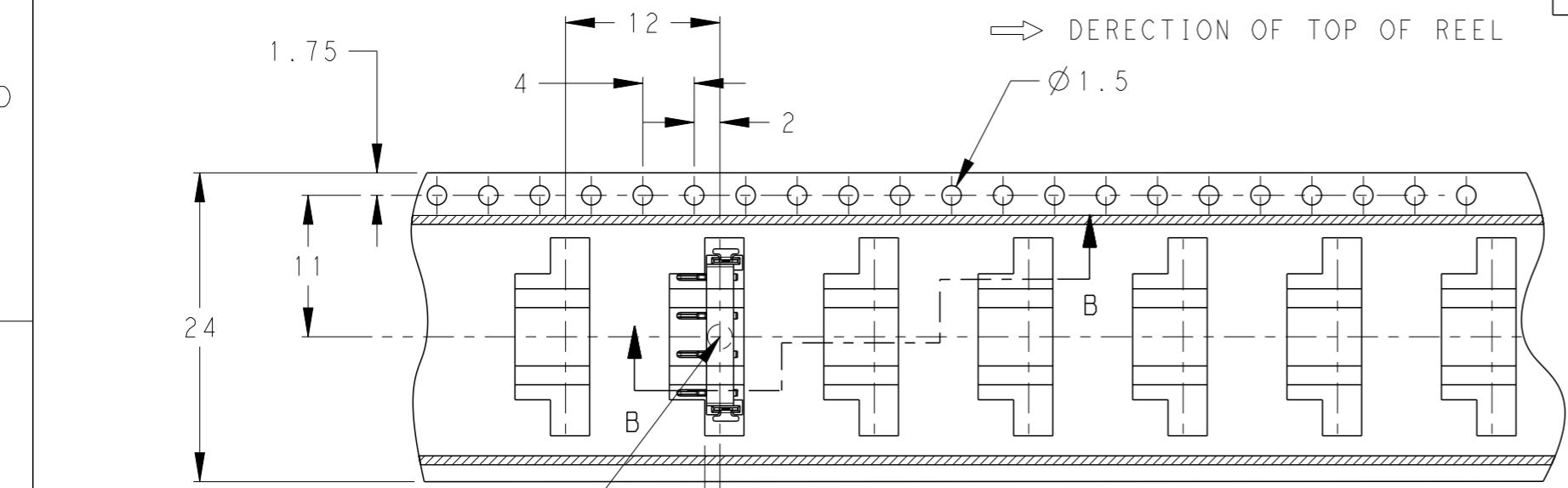
3

2

1

THIS DRAWING IS UNPUBLISHED. RELEASED FOR PUBLICATION
 © COPYRIGHT BY TYCO ELECTRONICS CORPORATION. ALL RIGHTS RESERVED.

LOC	DIST	REVISIONS			
P	LTR	DESCRIPTION	DATE	DWN	APVD
J	-	SEE SHEET 1	-	-	-



1932859-1: AS SHOWN

<small>THIS DRAWING IS A CONTROLLED DOCUMENT FOR TYCO ELECTRONICS CORPORATION IT IS SUBJECT TO CHANGE AND THE CONTROLLING ENGINEERING ORGANIZATION SHOULD BE CONTACTED FOR THE LATEST REVISION.</small>			
DIMENSIONS: mm 		TOLERANCES UNLESS OTHERWISE SPECIFIED: ± 0.3 0 PLC \pm 1 PLC ± 0.5 2 PLC ± 0.13 3 PLC ± 0.013 4 PLC ± 0.0001 ANGLES \pm FINISH	
MATERIAL		NAME: FLOATING BATTERY INTERCONNECTION SYSTEMS PLUG ASSEMBLY 4POS. SIZE: A3 CAGE CODE: 00779 DRAWING NO: 1932859 RESTRICTED TO: MOT	
RESTRICTED CUSTOMER		SCALE: 4:1 SHEET: 2 OF 2 REV: A1	