


# HC-B 24-TMS-100/O1STM32G-EEE

Order No.: 1580504



<http://eshop.phoenixcontact.de/phoenix/treeViewClick.do?UID=1580504>

HEAVYCON ADVANCE sleeve housing B24, with high-grade steel screw locking (hexagonal socket-head), salt water resistant aluminum, height 100 mm, with thread, 1xM32 straight cable outlet, without surface; conductive seal (EMC properties)

Commercial data	
GTIN (EAN)	
sales group	D201
Pack	10 pcs.
Customs tariff	85369010
Catalog page information	Page 167 (NTK-2010)

#### Product notes

WEEE/RoHS-compliant since:  
07/30/2008



<http://www.download.phoenixcontact.com>  
Please note that the data given here has been taken from the online catalog. For comprehensive information and data, please refer to the user documentation. The General Terms and Conditions of Use apply to Internet downloads.

## Technical data

General data	
Note	For contact inserts HC-B24, BB46, D64, DD108, HV10/16, M
Design	B24
Height	100 mm

Width	57 mm
Length	152 mm
Locking type	Screw locking (5 mm Allen screw)
Torque	3 Nm (Locking screw)
Fixing screws	M6
Cable exit	Straight
Type of the screw connection	1x M32
Degree of protection	IP65 / IP68 (0.2 bar, 24h) / IP69K
Ambient temperature (operation)	-40 °C ... 125 °C
Housing material	Die-cast aluminum, salt water resistant
Housing surface material	Uncoated
Seal material	NBR, conductive
Material lock	High-grade steel
Length of the assembly cutout	112 mm
Width of the assembly cutout	35 mm
Connection	If insulating powder coating is present on the control cabinet panel, it should be removed from the profile gasket area in order to ensure optimum shielding.

#### Accessories

Item	Designation	Description
------	-------------	-------------

#### Assembly

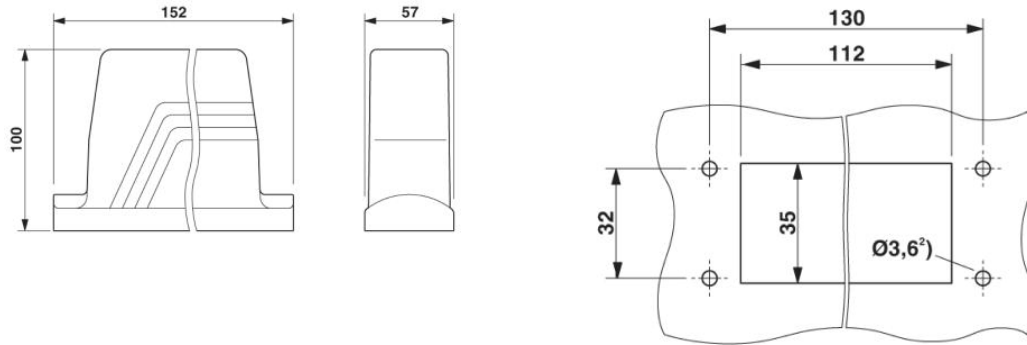
Item	Designation	Description
1686533	HC-B-AF	Panel mounting flange for HEAVYCON ADVANCE sleeve housing
1604638	HC-B-AF-SET	Panel mounting flange for screw locking, set comprising 2 panel mounting flanges with 4 self-tapping Torx head screws and 4 fan-type washers

#### General

Item	Designation	Description
1690765	HC-B 24-TMS-SD-IP50	HEAVYCON ADVANCE IP50 protective cover B24, for panel mounting side, with clip locking, with retaining cord, diameter of retaining cord eyelet 3 mm
1690804	HC-B 24-TMS-SD-IP65	HEAVYCON ADVANCE B24 IP65 protective cover, for panel mounting side, with screw locking, with retaining cord, diameter of retaining cord eyelet: 3 mm

## Diagrams/Drawings

### Dimensioned drawing



Panel cutout

<sup>2)</sup> When self-tapping Torx screws are used (Torx20, M4)

**Address**

PHOENIX CONTACT Deutschland GmbH  
Flachmarktstr. 8  
32825 Blomberg, Germany  
Phone +49 5235 3 12000  
Fax +49 5235 3 41200  
<http://www.phoenixcontact.de>



© 2010 Phoenix Contact  
Technical modifications reserved;