

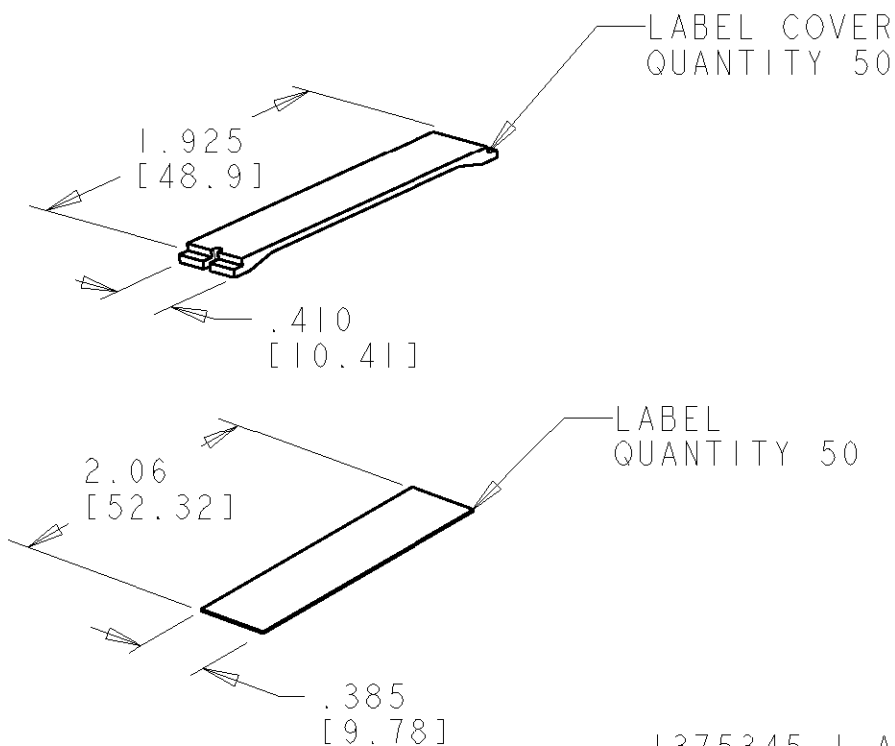
LOC	DIST	REVISIONS					
		P	LTR	DESCRIPTION	DATE	DWN	APVD
HM	00		0	NPR NSD00-080	30JAN01	LH	GB

1. DIMENSIONS ARE MAXIMUM UNLESS OTHERWISE SPECIFIED.

2. MATERIAL:
 LABEL COVER - POLYCARBONATE MOLDING COMPOUND, CLEAR.
 LABEL - WHITE INDEX PAPER.

3. THIS KIT SHIPPED NOT ASSEMBLED.

4. FIFTY LABELS AND LABEL COVERS PACKAGED PER POLYBAG.



LABEL COVER QUANTITY 50

LABEL QUANTITY 50

1375345-1 AS SHOWN

20

RELEASED FOR PUBLICATION

THIS DRAWING IS UNPUBLISHED.

BY TYCO ELECTRONICS CORPORATION. ALL RIGHTS RESERVED.

© COPYRIGHT 20

DIMENSIONS: INCHES [mm]	DWN	31JAN2001	MATERIAL	2 -	FINISH	-	
	CHK	30JAN01	Tyco Electronics Harrisburg, PA 17105-3608				
TOLERANCES UNLESS OTHERWISE SPECIFIED:	G. BOWMAN	30JAN01					
0 PLC ±-	APVD	30JAN01	NAME				KIT, LABEL COVER
1 PLC ±-	G. BOWMAN		PRODUCT SPEC				-
2 PLC ±-			APPLICATION SPEC				-
3 PLC ±-			SIZE	CAGE CODE	DRAWING NO	RESTRICTED TO	
4 PLC ±-			A4	00779	C=1375345	-	
ANGLES ±-			WEIGHT				-
	CUSTOMER DRAWING					SCALE	1:1
						SHEET	1 OF 1
						REV	0