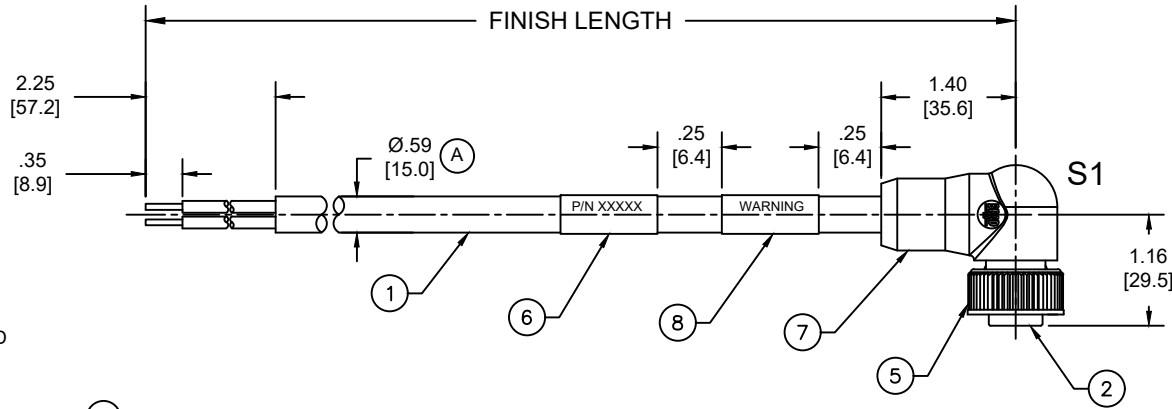
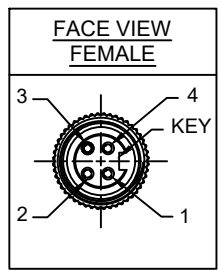


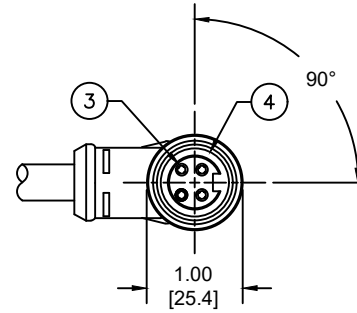
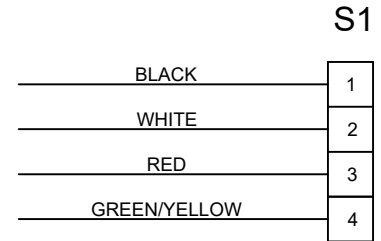
MATERIAL NUMBER	ENGINEERING NUMBER	FINISHED LENGTH
1300610110	104001A46F200	20FT [6.1M]
1300610125	104001A46M100	10M [32FT 10 IN]
1300610128	104001A46M270	27M [88FT 7 IN]

(A) PART NUMBER LEGEND
104001A46F200

LENGTH:
F100= 10 FEET
F200= 20 FEET
M005= 0.5 METER
M010= 1 METER
M100= 10 METER



- NOTES:**
1. MATERIAL: AS NOTED
 2. FINISH: AS NOTED
 3. ELECTRICAL:
VOLTAGE: 483V PER IEC60664 (A)
600V PER UL2237
CURRENT: 15A
 4. TEMP RATING: -20°TO +105°C (A)
 5. PROTECTION: IP67 (WHEN MATED)
 6. COUPLING THREAD: 7/8"-16UN
 7. ALL DIMENSIONS ARE FOR REFERENCE UNLESS TOLERANCED OR NOTED OTHERWISE



(A) CABLE LENGTH TOLERANCES

<.3M [1FT]:	+19mm-0 [+ .75in-0]
.3 - .9M [1 - 3FT]:	+44.5mm-0 [+1.75in-0]
.9 - 1.8M [3 - 6FT]:	+55.6mm-0 [+2.19in-0]
1.8 - 3.7M [6 - 12FT]:	+88.9mm-0 [+3.50in-0]
3.7 - 7.3M [12 - 24FT]:	+165.1mm-0 [+6.50in-0]
7.3-14.6M [24 - 48FT]:	+317.5mm-0 [+12.50in-0]
14.6 - 30.5M [48-100FT]:	+622.3mm-0 [+24.50in-0]
OVER 30M [100FT]	+2% OF FINISHED LENGTH

8	WARNING LABEL	VINYL	BLACK
7	OVERMOLD	TPE	GRAY
6	WRAP LABEL	VINYL	YELLOW
5	COUPLING NUT	ZINC ALLOY	BLACK E-COAT
4	FRICTION RING	NYLON	WHITE
3	SOCKET CONTACT	BRASS	GOLD OVER NICKEL
2	INSERT	TPE	BLACK
1	#14/4 CABLE	PVC JACKET	GRAY
ITEM	DESCRIPTION	MATERIAL	FINISH

FUNCTIONAL SYMBOLS									
$F_A=0$	$F_C=0$	$F_P=0$	THIS DRAWING CONTAINS INFORMATION THAT IS PROPRIETARY TO MOLEX ELECTRONIC TECHNOLOGIES, LLC AND SHOULD NOT BE USED WITHOUT WRITTEN PERMISSION						
DIMENSION UNITS		SCALE		CURRENT REV DESC: ITEM 2 & 7 WERE PVC. SOCKET & SLEEVE SHOWN AS ITEM-3. ADDED IEC VOLTAGE, PN LEGEND, CABLE DIA & TOL CHART. MODIFIED TEMP RATING AND PN TABLE. REMOVED CSA IN NOTES					
INCH/MM		NTS		EC NO: 698916					
GENERAL TOLERANCES (UNLESS SPECIFIED)				DRWN: ABENJAMINLW		2021/06/14		2022/03/09	
	mm	INCH		CHK'D: RSTONE		2022/03/11		2022/03/11	
4 PLACES	±----	±----		APPR: BWOODMAN		2022/03/11		INITIAL REVISION:	
3 PLACES	±----	±----		DRWN: VOU		2010/01/14		DOCUMENT NUMBER	
2 PLACES	±----	±----		APPR: JFMURPHY		2010/01/20		SD-130061-014	
1 PLACE	±----	±----		THIRD ANGLE PROJECTION		DRAWING		SERIES	
0 PLACES	±----	±----		DRAWING		A-SIZE		130061	
ANGULAR TOL ± ---- °				MATERIAL NUMBER		CUSTOMER		SHEET NUMBER	
DRAFT WHERE APPLICABLE MUST REMAIN WITHIN DIMENSIONS				SEE CHART		GENERAL MARKET		1 OF 1	

molex

BRAD POWER CORDSET, A-SIZE
4-POLE, FEMALE 90DEG, SINGLE KEY,
#14 AWG

PRODUCT CUSTOMER DRAWING

DOC TYPE: PSD DOC PART: 001 REVISION: A

DOCUMENT STATUS: P1 RELEASE DATE: 2022/03/11 14:29:46

FORMATT: IN:ACAD-ib-prod-A REVISION: B DATE: 2020/01/14