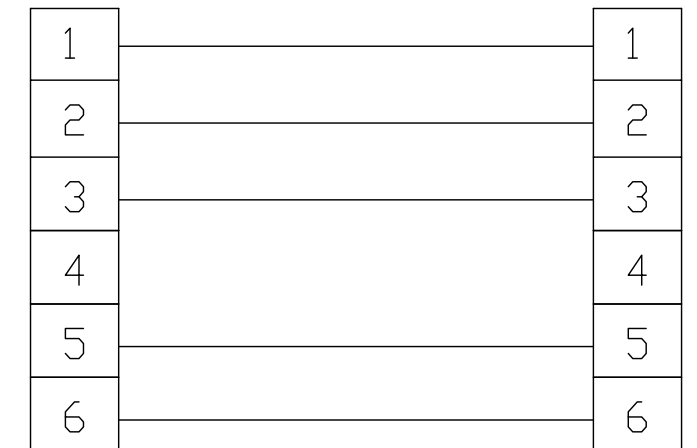
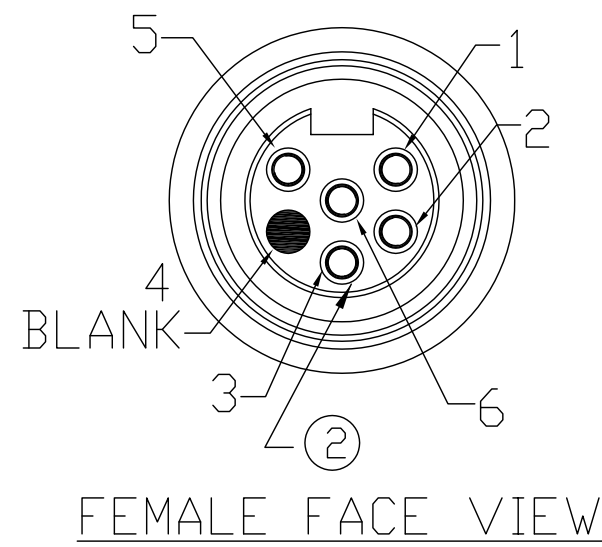
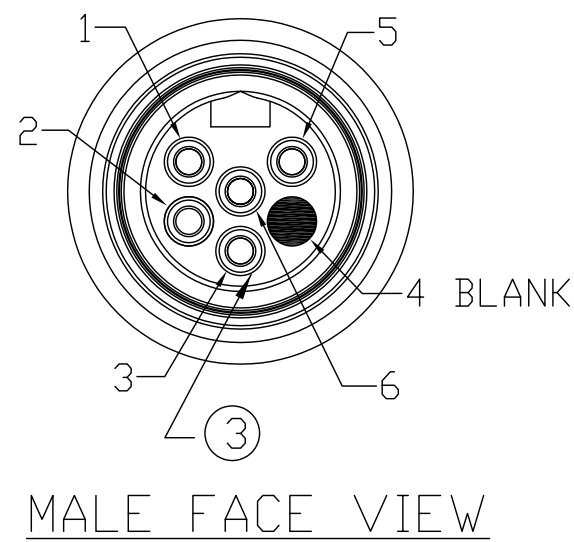
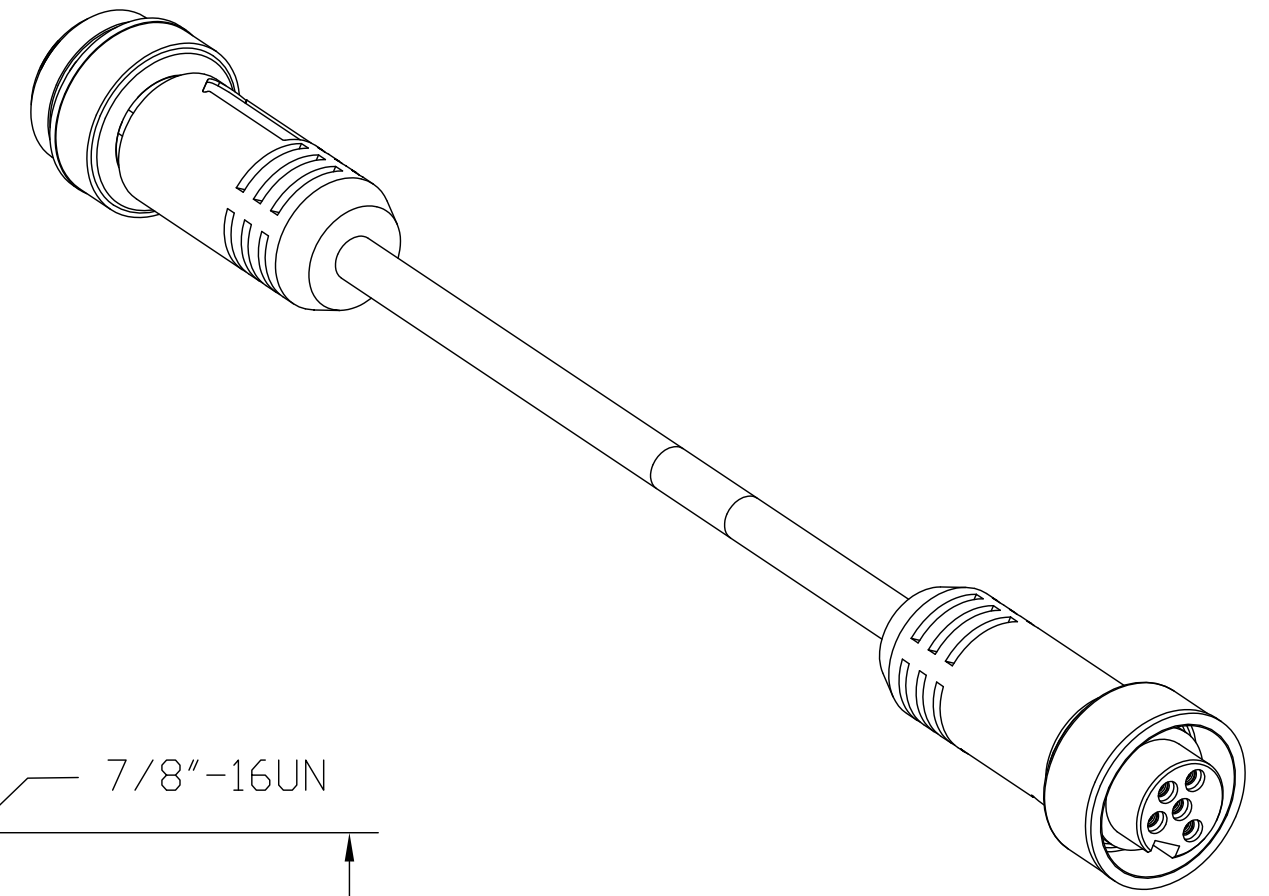
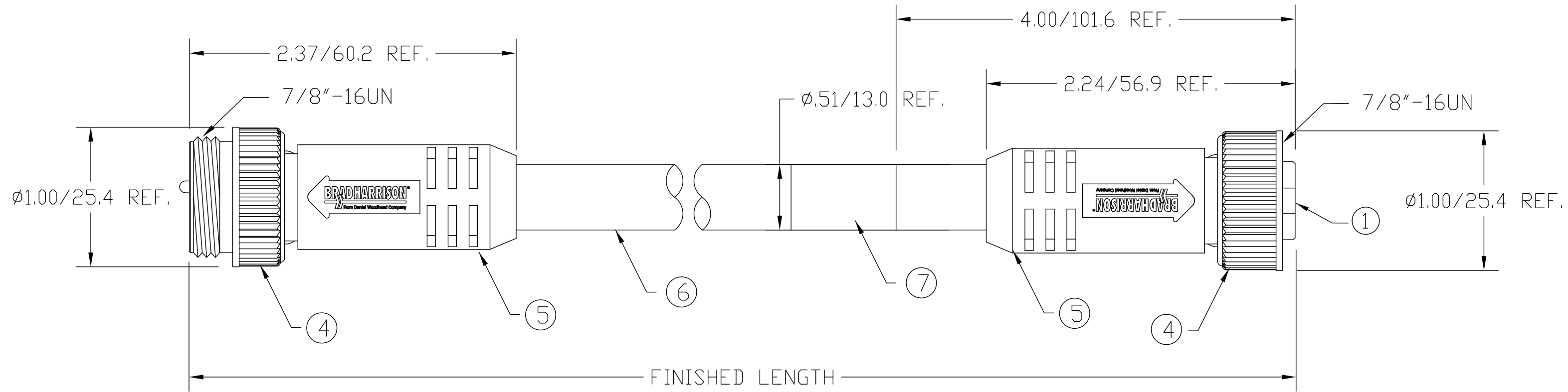


MATERIAL NUMBER	OLD PART NUMBER	FINISHED LENGTH
130018-0125	51180-M020	6.56' +3.50" -0 [2.0M +88.9 -0]



ITEM	COMPONENT	MATERIAL	FINISH
1	INSERT	PVC	YELLOW
2	CONTACT SOCKET	COPPER ALLOY	GOLD OVER NICKEL
3	CONTACT PIN	COPPER ALLOY	GOLD OVER NICKEL
4	COUPLING NUT	ZINC DIE CAST	BLACK E-COATED
5	OVERMOLD	TPE	RED
6	CABLE- 16AWG, (65 X #34 COPPER STRANDING), 5 CONDUCTOR, 600V, TC-ER/STOOW	PVC	GRAY
7	LABEL	MYLAR	BLACK/YELLOW

VOLTAGE RATING	600 VAC/VDC
AMPERAGE RATING	10 AMPS
PROTECTION	IP67
OPERATING TEMPERATURE	-20°C TO 105°C
CSA CERTIFICATIONS	CSA CERTIFIED, FILE NO. LR6837

RELEASED DRAWING EC NO: WNA2010-0430 DRWN: BWOODMAN2010/01/12 CH'KD: LH APPR: JFMURPHY 2010/01/15	DESCRIPTION REV A	QUALITY SYMBOL	GENERAL TOLERANCES (UNLESS SPECIFIED)	DIMENSION STYLE	SCALE	DESIGN UNITS	THIRD ANGLE PROJECTION
		$\nabla=0$ $\sphericalangle=0$	4 PLACES ±--- 3 PLACES ±--- 2 PLACES ±0.13 1 PLACE ±0.25	IN/MM DRAWN BY DATE CHECKED BY DATE APPROVED BY DATE MATERIAL NO.	1:1 INCH	TITLE <b>MINI-CHANGE CORDSET            6 POLE MALE/FEMALE            STOOW CABLE 16/5 SPCL</b>	
		ANGULAR ±1/2° DRAFT WHERE APPLICABLE MUST REMAIN WITHIN DIMENSIONS	DATE <b>2010/01/13</b> <b>2010/01/15</b> <b>SEE CHART</b>	MOLEX <b>MOLEX INCORPORATED</b>	SHEET NO. <b>1 OF 1</b>		
		SIZE C	THIS DRAWING CONTAINS INFORMATION THAT IS PROPRIETARY TO MOLEX INCORPORATED AND SHOULD NOT BE USED WITHOUT WRITTEN PERMISSION				