

THIS DRAWING IS UNPUBLISHED.

RELEASED FOR PUBLICATION

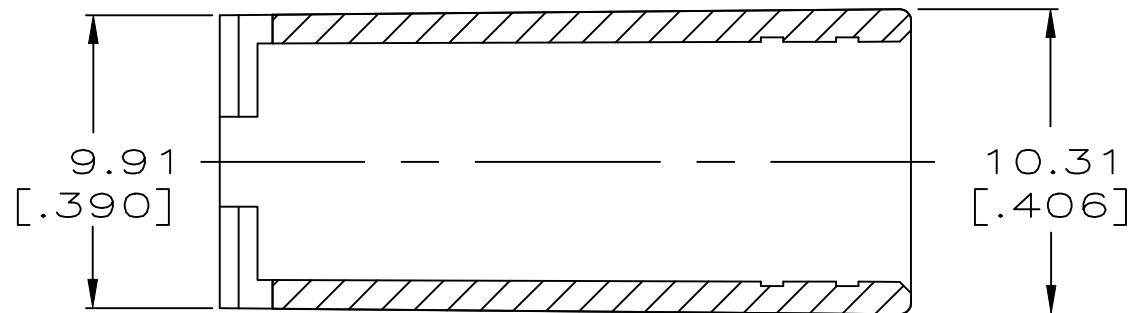
ALL RIGHTS RESERVED.

© COPYRIGHT - By -

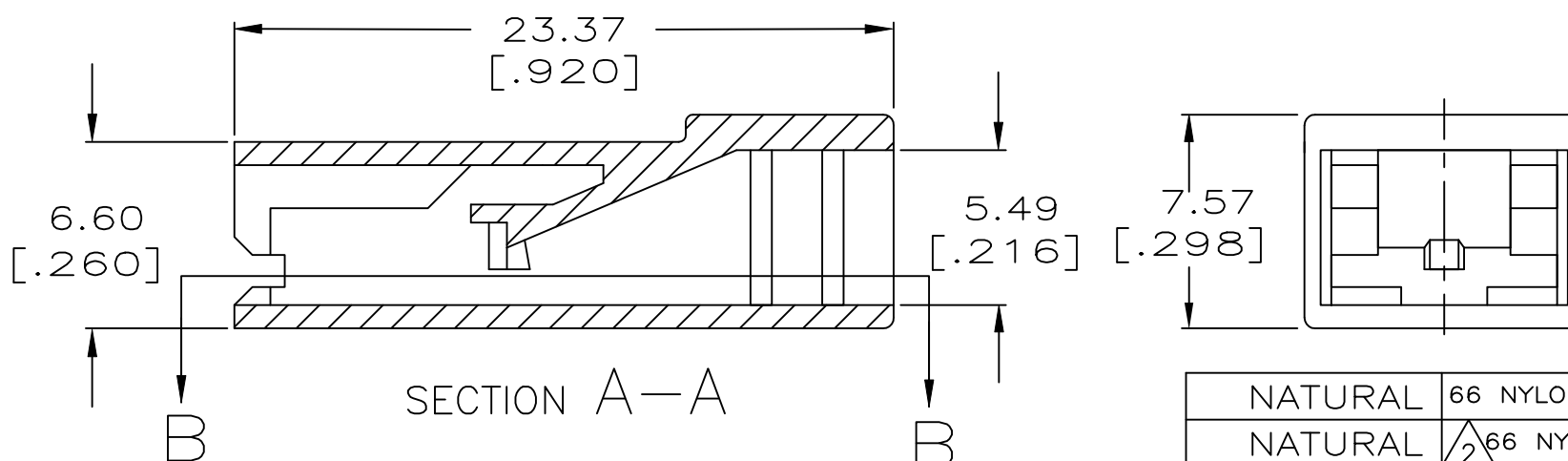
REVISIONS

| P | LTR | DESCRIPTION | DATE | DWN | APVD |
|---|------|---------------------------|-----------|-----|------|
| | AC12 | REVISED PER ECR-19-004061 | 14MAR2019 | BH | E.W |

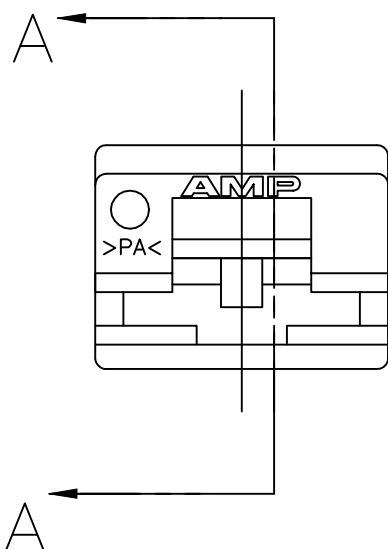
- 1 SPECIAL PACKAGING QUANTITIES.
- 2 POLYAMIDE ACCORDING TO IEC 60335-1, GLOW WIRE.
- 3 PRELIMINARY - NOT FOR PRODUCTION
- 5 CONTACT PRODUCT ENGINEERING FOR TERMINAL RECOMMENDATIONS WHEN USING THIS INSULATOR WITH 10 AWG WIRE



SECTION B-B



SECTION A-A



| | | | |
|---------|------------------------|------|------------|
| NATURAL | 66 NYLON, UL94 V0 150C | 3 | 2-480416-4 |
| NATURAL | 66 NYLON, UL94 V0 | 3 | 2-480416-3 |
| NATURAL | UL94 V2 | 2 | 2-480416-2 |
| NATURAL | 6/6 NYLON | 3, 1 | 2-480416-1 |
| NATURAL | UL94 5VA RATED | 3 | 2-480416-0 |
| NATURAL | 4/6 NYLON UL 150 | | 1-480416-8 |
| NATURAL | 66 NYLON, V0 | | 1-480416-7 |
| NATURAL | POLYESTER | | 1-480416-6 |
| RED | 6/6 NYLON | | 1-480416-4 |
| BLUE | | | 1-480416-3 |
| BLACK | | | 1-480416-1 |
| NATURAL | | | 1-480416-0 |
| FINISH | MATERIAL | | PART NO |

SUPERSEDED BY 2-480416-5
 SUPERSEDED BY 1-480416-0
 OBSOLETE
 SUPERSEDED BY 1-480416-0

THIS DRAWING IS A CONTROLLED DOCUMENT.

| DIMENSIONS: | TOLERANCES UNLESS OTHERWISE SPECIFIED: |
|-------------|--|
| mm [INCHES] | |
| | 0 PLC ± - |
| | 1 PLC ± - |
| | 2 PLC ± 0.38 [.015] |
| | 3 PLC ± - |
| | 4 PLC ± - |
| | ANGLES ± - |
| MATERIAL | FINISH |
| SEE TABLE | SEE TABLE |

| | | |
|------------------|-----------|--------|
| DWN | JR RUTH | 2/4/91 |
| CHK | P FORTNEY | 2/4/91 |
| APVD | C MEYERS | 2/4/91 |
| PRODUCT SPEC | | |
| APPLICATION SPEC | | |
| WEIGHT | | |
| CUSTOMER DRAWING | | |



| | | | | | | | |
|-------|-----------|------------|---------------|---|------|--|--|
| NAME | | | | HOUSING, RECEPTACLE, FASTON, 6.35 [.250] SERIES | | | |
| SIZE | CAGE CODE | DRAWING NO | RESTRICTED TO | | | | |
| A3 | 00779 | C-480416 | - | | | | |
| SCALE | | | SHEET | | REV | | |
| 4:1 | | | 1 of 1 | | AC12 | | |

| | | | |
|---|---------|------------------------|------------|
| 2 | NATURAL | 66 UL NYLON V0 NATURAL | 2-480416-5 |
| | BLACK | 66/6 V0 BLACK | 480416-2 |
| | NATURAL | 66/6 V0 NATURAL | 480416-1 |
| | FINISH | MATERIAL | PART NO |