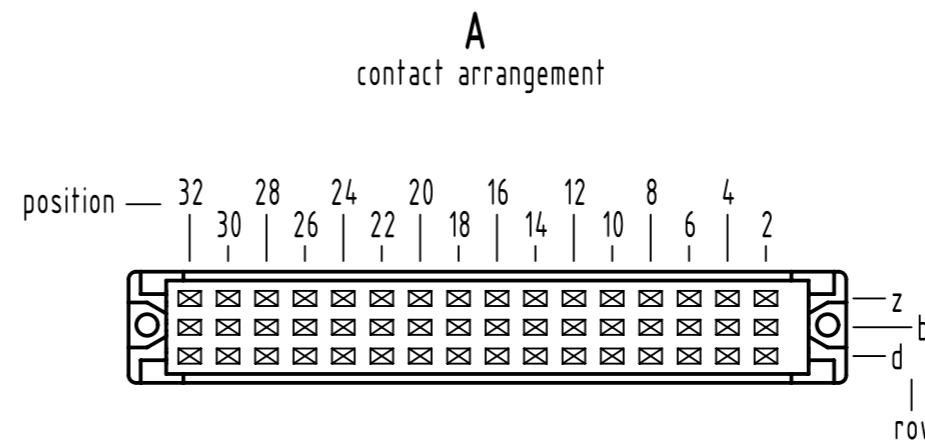
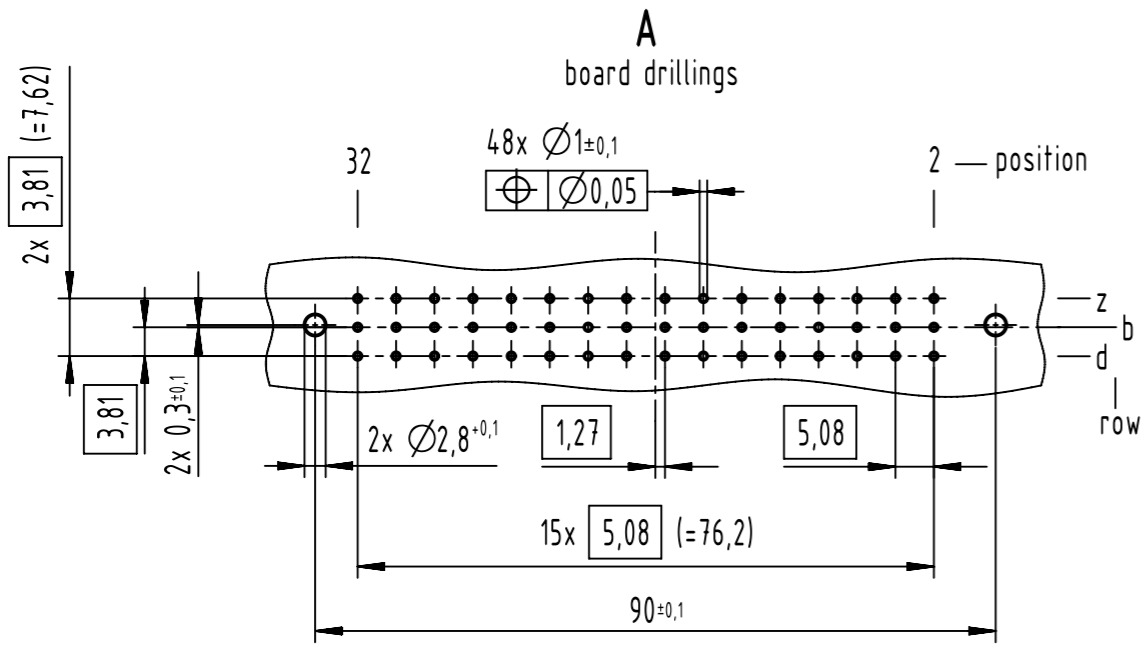


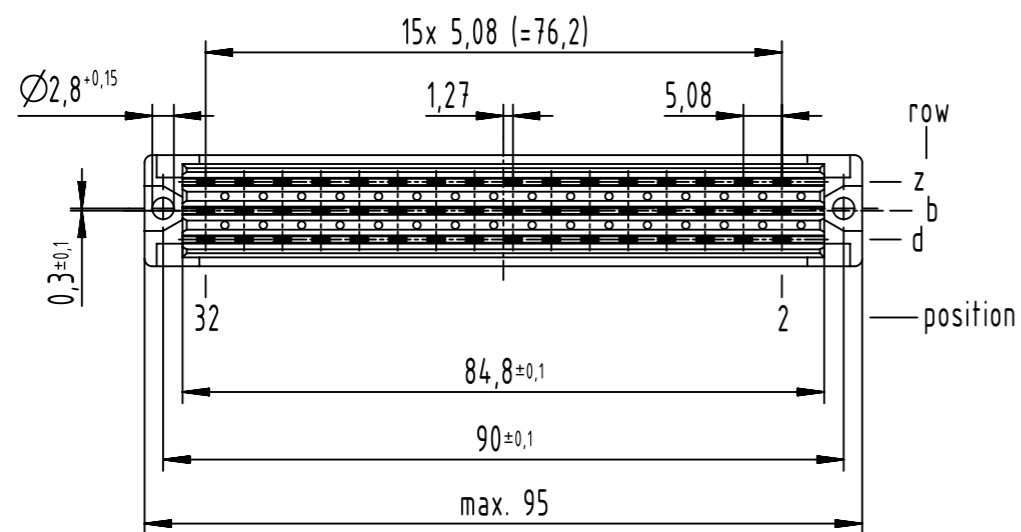
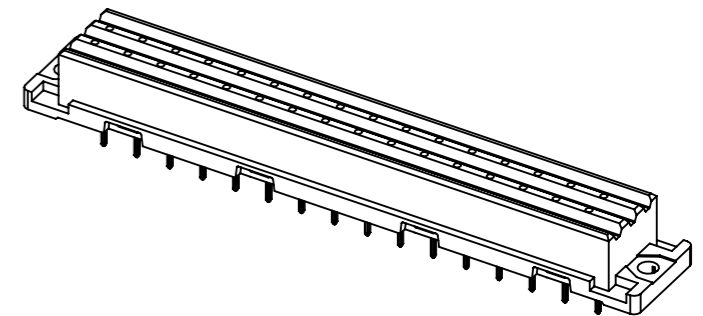
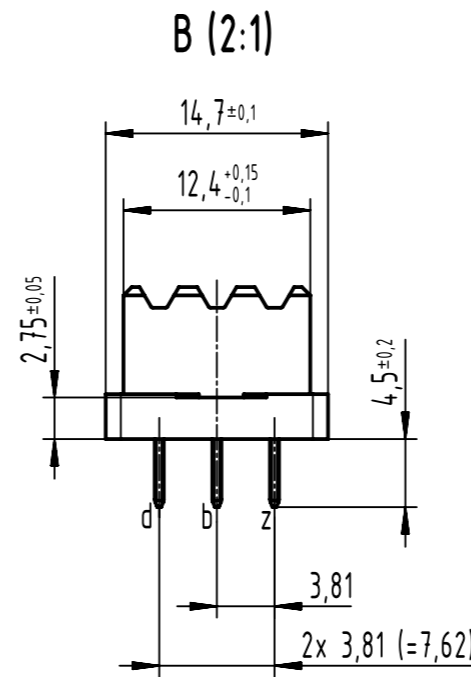
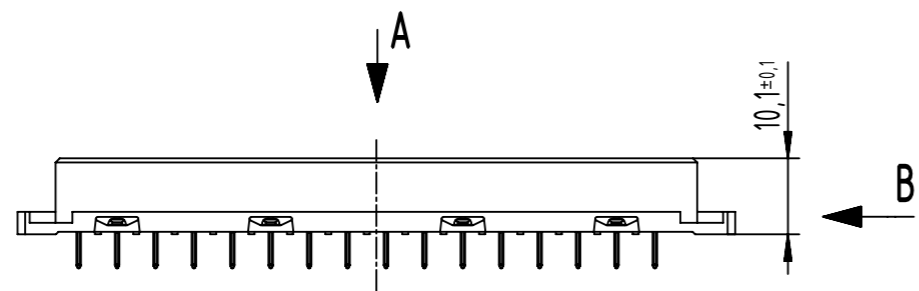
1 2 3 4 5 6 7 8

A
B
C
D
E
F

A
B
C
D
E
F



48 solder-contacts
 ☒ = position with contact
 □ = position without contact



further information see product data sheet

09 06 248 6834 222	2
part no.	performance level

All rights reserved Department EL PD HARTING D-32339 Espelkamp	All Dimensions in mm Original Size DIN A3	Scale 1:1	Free size tol. complementary IEC 60603-2	Ref. Sub.
	Created by STORCK	Inspected by LEHNERT	Standardisation 302077	Date 2021-05-06
Title DIN Power type F low-profile fem solder 4.5 NFF 48-pole				Doc-Key / ECM-Nr. 100205271/UGD/027/D 500000194417
Type TB		Number 0906248X834222		Rev. D
				Page 1/1

1 2 3 4 5 6 7 8