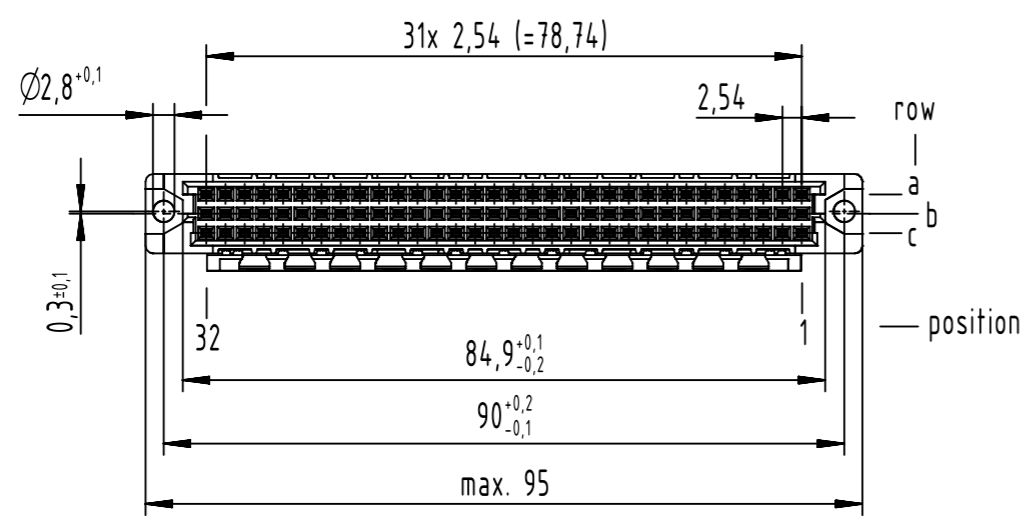
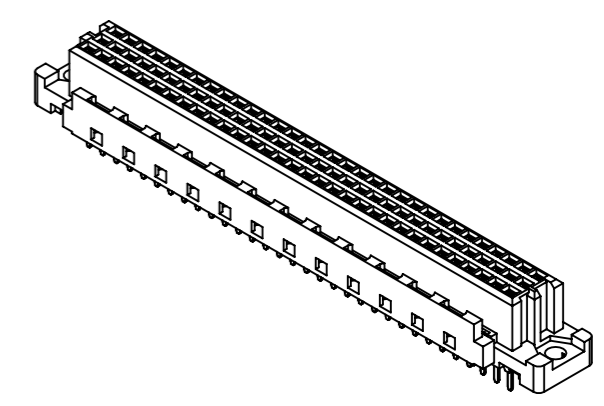
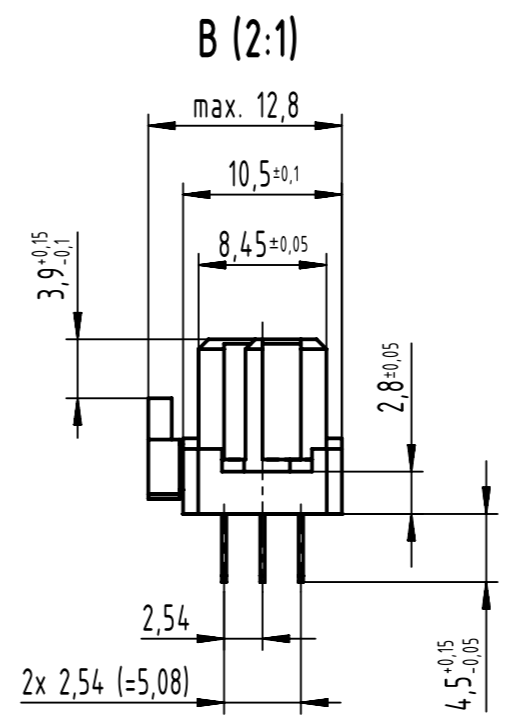
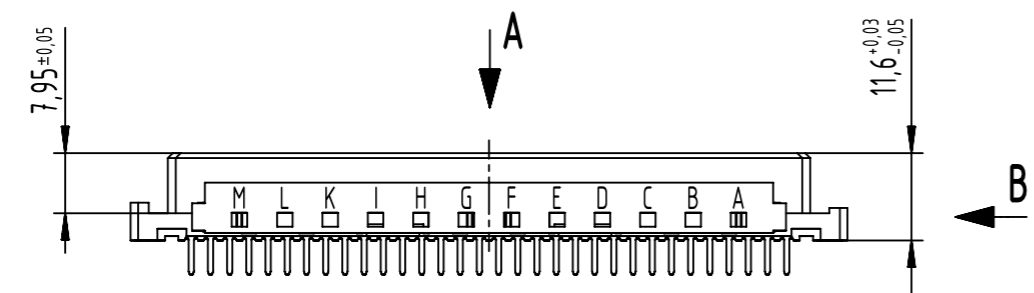


96 solder contacts  
 ☒ = solder contact  
 □ = position without contact



only mateable with HARTING DIN NFF connector  
 further information see product data sheet

09 03 796 6825 222	2
part no.	performance level

	All Dimensions in mm Original Size DIN A3		Scale 1:1	Free size tol. complementary IEC 60603-2		Ref. Sub.	
	All rights reserved Department EL PD		Created by STORCK	Inspected by LEHNERT	Standardisation 302077	Date 2021-03-23	State Final Release
HARTING D-32339 Espelkamp		Title DIN Signal type C female solder 4.5 with coding NFF				Doc-Key / ECM-Nr. 100173852/UGD/214/G 500000191082	
		Type TB	Number 0903796X825222			Rev. G	Page 1/1