



**ISL Products International**

**Electronic Ballast for UV Bulbs**  
**110 ~ 240VAC - "PS" Program Start**  
*P.S-I-81338-A*

This electronic ballast is designed to operate different ultraviolet quartz germicidal lamps at 110~240VAC. It's equipped with push style terminals for seamless installation and has Intertek approvals, UL 935 standards.

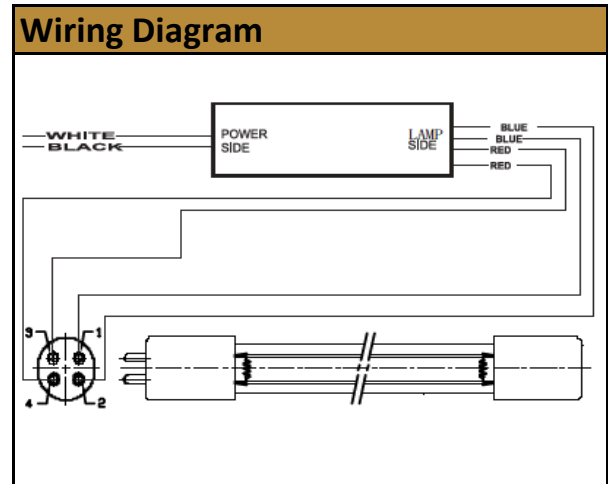
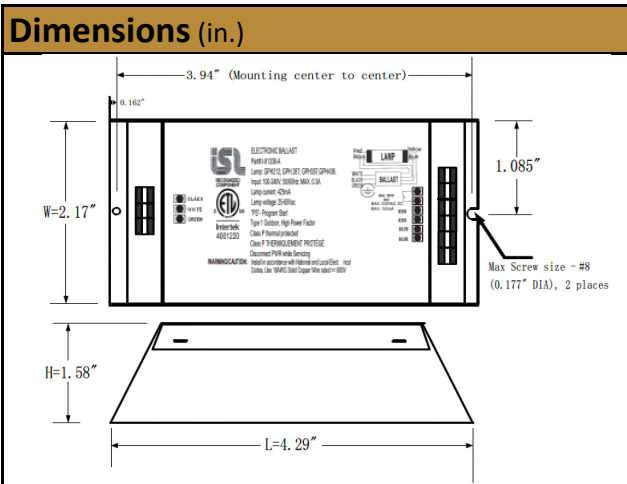
**Contact Us for alternative solutions!**



Electrical Specifications					
<b>Lamp Type:</b>	GPH212T5	GPH287T5	GPH357T5	GPH436T5	
<b>Input Voltage:</b>	100 / 240VAC	100 / 240VAC	100 / 240VAC	100 / 240VAC	
<b>Lamps Operated:</b>	1 / 1	1 / 1	1 / 1	1 / 1	
<b>Input Power (W):</b>	16.19 / 17.96	20.40 / 22.44	25.01 / 25.71	29.27 / 28.81	
<b>Line Current (A):</b>	0.164 / 0.093	0.207 / 0.111	0.253 / 0.124	0.293 / 0.137	
<b>Power Factor:</b>	0.967 / 0.803	0.98 / 0.84	0.986 / 0.857	0.982 / 0.872	
<b>THD:</b>	15.6 / 35.6	11.3 / 13.8	7.2 / 12.2	6.9 / 10.4	
<b>Lamp Voltage (V):</b>	25	34	42	51	
<b>Ballast Type:</b>	Program Start (PS)		<b>Lamp Current:</b>	425mA (+/- 10%)	
<b>Current Crest Factor:</b>	< 1.7		<b>Voltage Transients:</b>	ANSI 62.41	

Environmental Specifications				
<b>Sound Rating:</b>	Class A		<b>Min. Operating Temp:</b>	0°C / 32°F
<b>Weight:</b>			<b>Max. Case Temp:</b>	70°C / 158°F

Protections				
<b>Input Protection:</b>	Fuse		<b>Approvals:</b>	UL.935 / CSA.C22.2
<b>Output Protection:</b>	EOL			Class "P"/1 Outdoor



© 2021 ISL Products International Ltd. Specifications subject to change without notice.

