

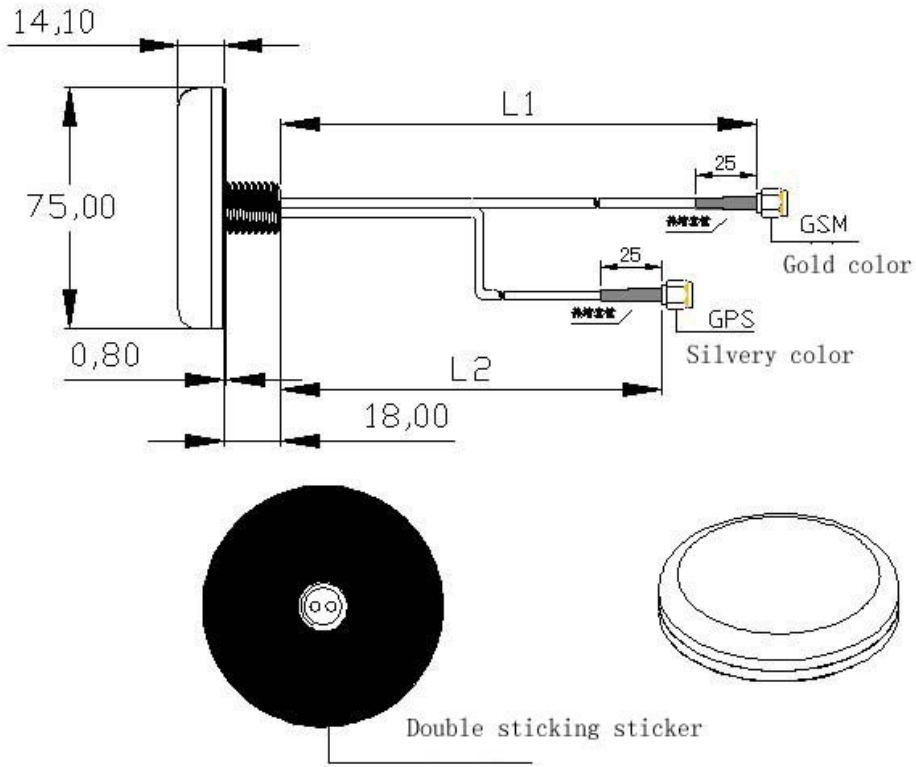
GPS/GLONASS/3G External Antenna Specification

—. Electrical Characteristics

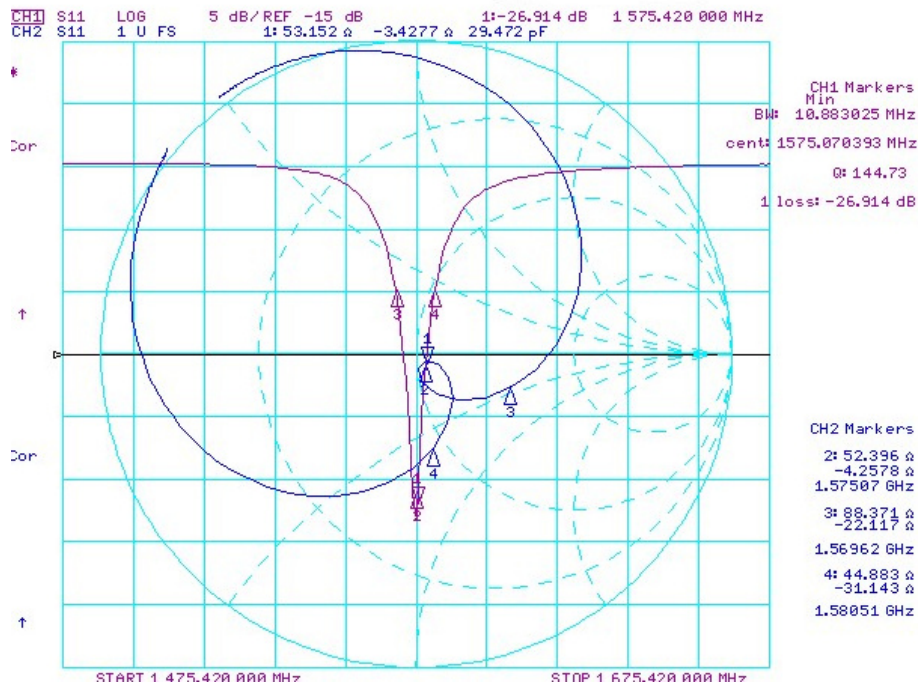
GPS/GLONASS Part	
Antenna	
Antenna model	25*25*4
Frequency Range	1575.42MHz±1.02 MHz 1610MHZ±10MHZ
V.S.W.R	1.5:1
Band Width	≥ 10 MHz for GPS ≥ 20MHZ for GLONASS
Impedence	50 ohm
Gain	5dBic Based on 7×7cm ground plane
Polarization	RHCP
LNA	
Frequency Range	1595MHz±25 MHz
DC Voltage	3.0V-5.0V
Gain (Typical)	27dB
Output VSWR (Typical)	2.0
Noise Figure (MAX)	1.5

DC current (Typical)	13.5mA
3G part	
Working Frequency	806MHz-960MHz/1710MHZ-2170MHz
V.S.W.R	2:1
Impedence	50 ohm
Peak Gain	-1dbi@900 1dbi@1800
Azimuth	Omni-directional
Polarization	Linear Polarization
Material	
Antenna	Dielectric Ceramics
PCB	FR4
Shielding	Tinplate
Cable length	Custom
RF Connector	Custom
Antenna mounting	Screw mounting
Testing Conditions	
Working Temp	-25°C~+65°C
Storage Temp	-45°C~+85°C
Vibration	Sine sweep 1g(0-p)
	10~55~10Hz each axis

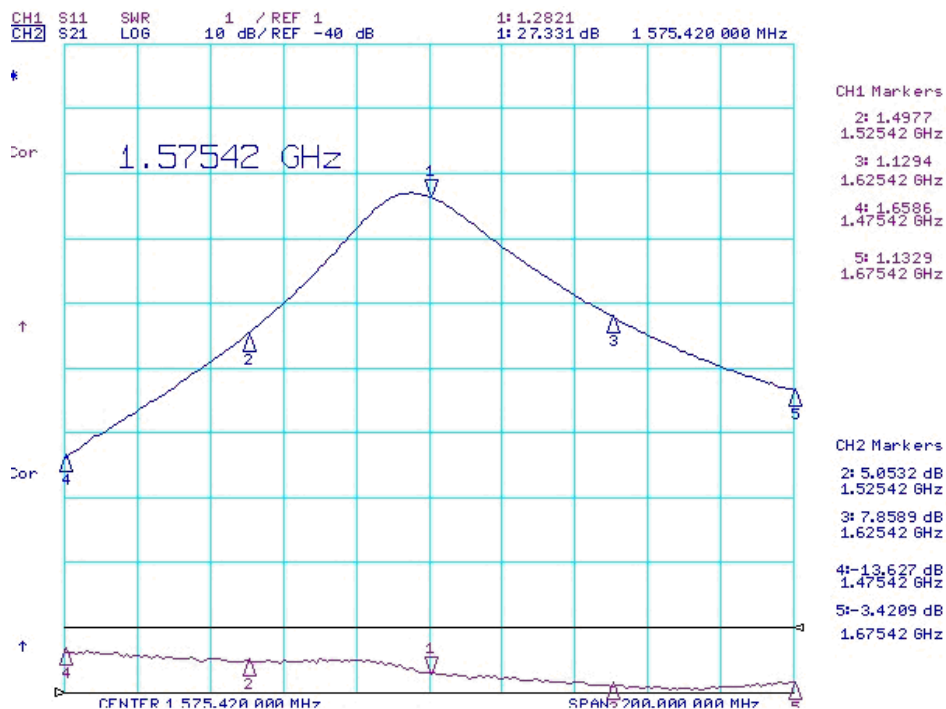
二. Size drawing



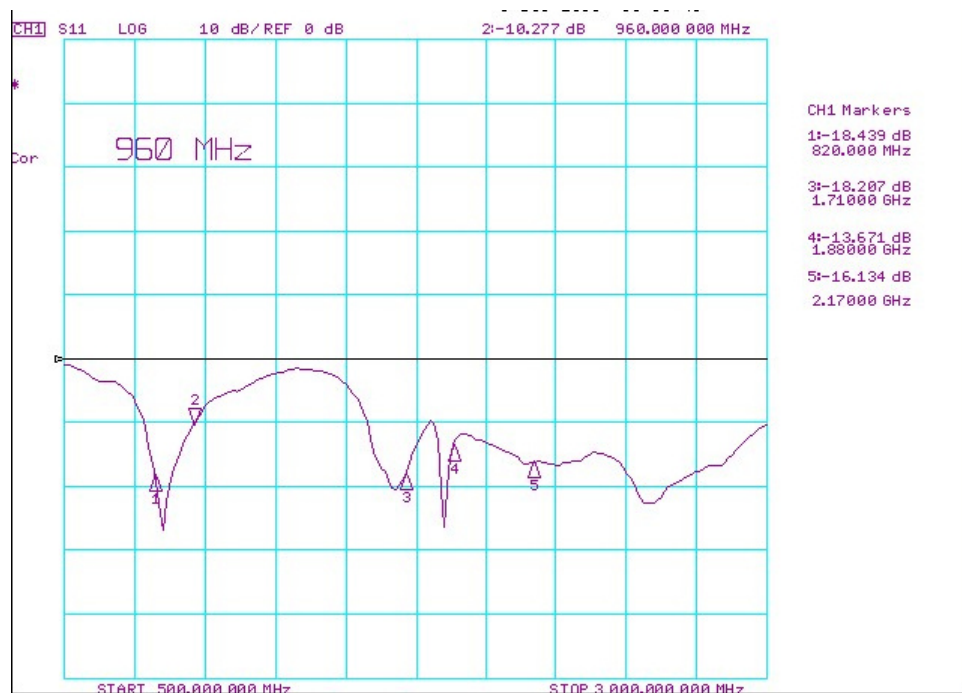
三. Patch Test Curve



四. LNA Test Curve



五. GSM Characteristic Curve



六. Notes

1. This product specification guarantees the quality of our product as a single unit. Please make sure that your product is evaluated and confirmed against your specifications when our product is mounted to your product.

2. The product will get free warranty for three months since the date of purchase users operate in the correct way; users will have to pay cost of the materials and maintaining fee out of the condition.

3. Electrostatic sensitive device.Observe precautions for handling.

