

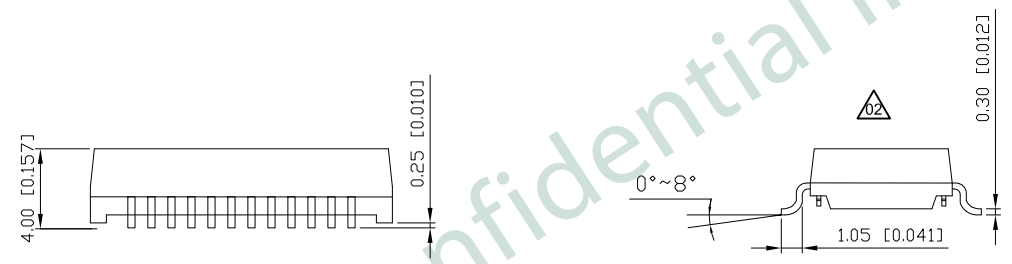
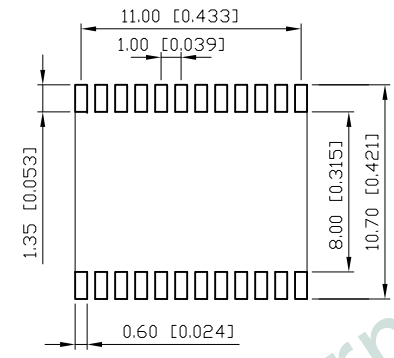
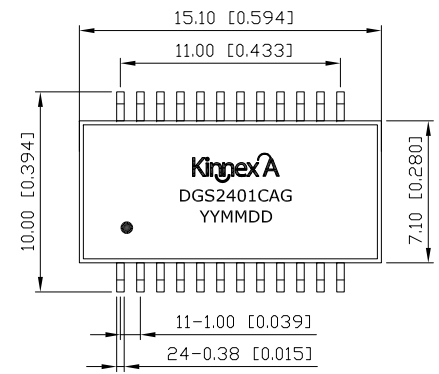
1. MECHANICAL DIMENSIONS :

REV.	DATE	DESCRIPTION
02	Sep. 16, '20	DESIGN CHANGE
01	Jan. 22, '19	1st RELEASE

NOTES:

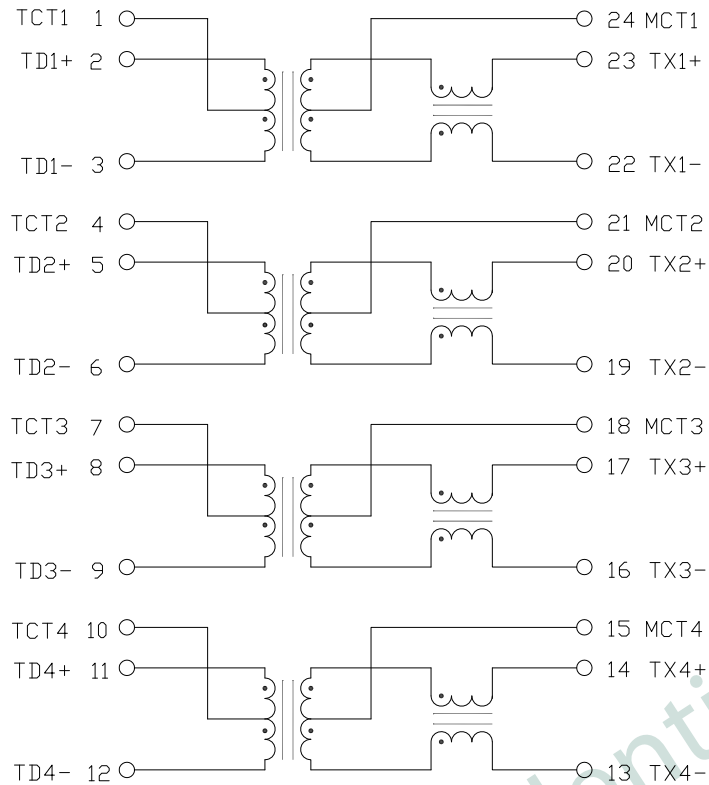
- OPERATING TEMPERATURE: 0°C ~ +70°C
- UNSPECIFIED TOLERANCE: .XX ±0.25[0.010]

ROHS Compliant



PART NO		KTFZ-DGS2401CAG-XXX		
TITLE	1G BASE-T MAGNETICS MODULE			
REV : 02				
UNIT	DRAWN	CHKD	DATE	SHEET
mm[inch]	CINDY	VINCENT	Sep. 16, '20	1 of 3

2.SCHEMATIC :



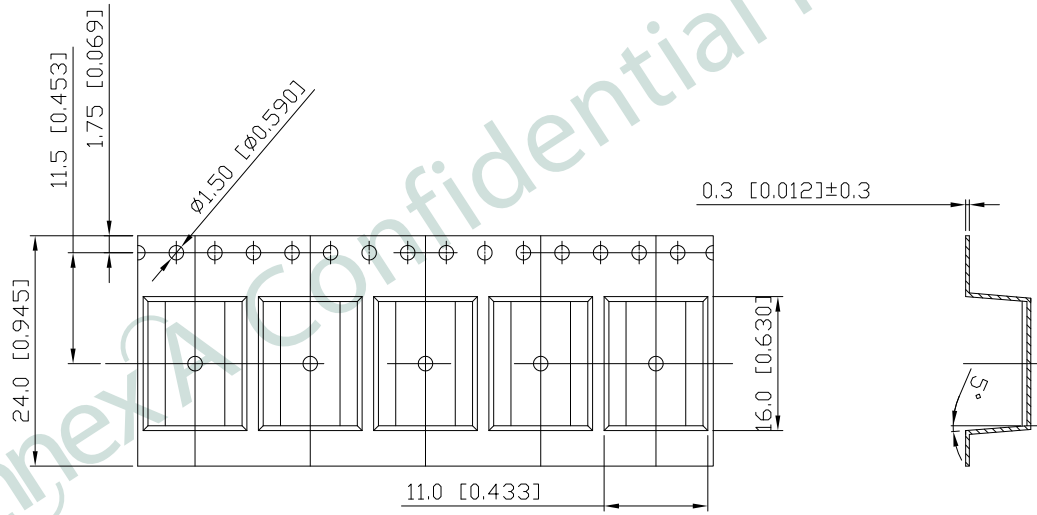
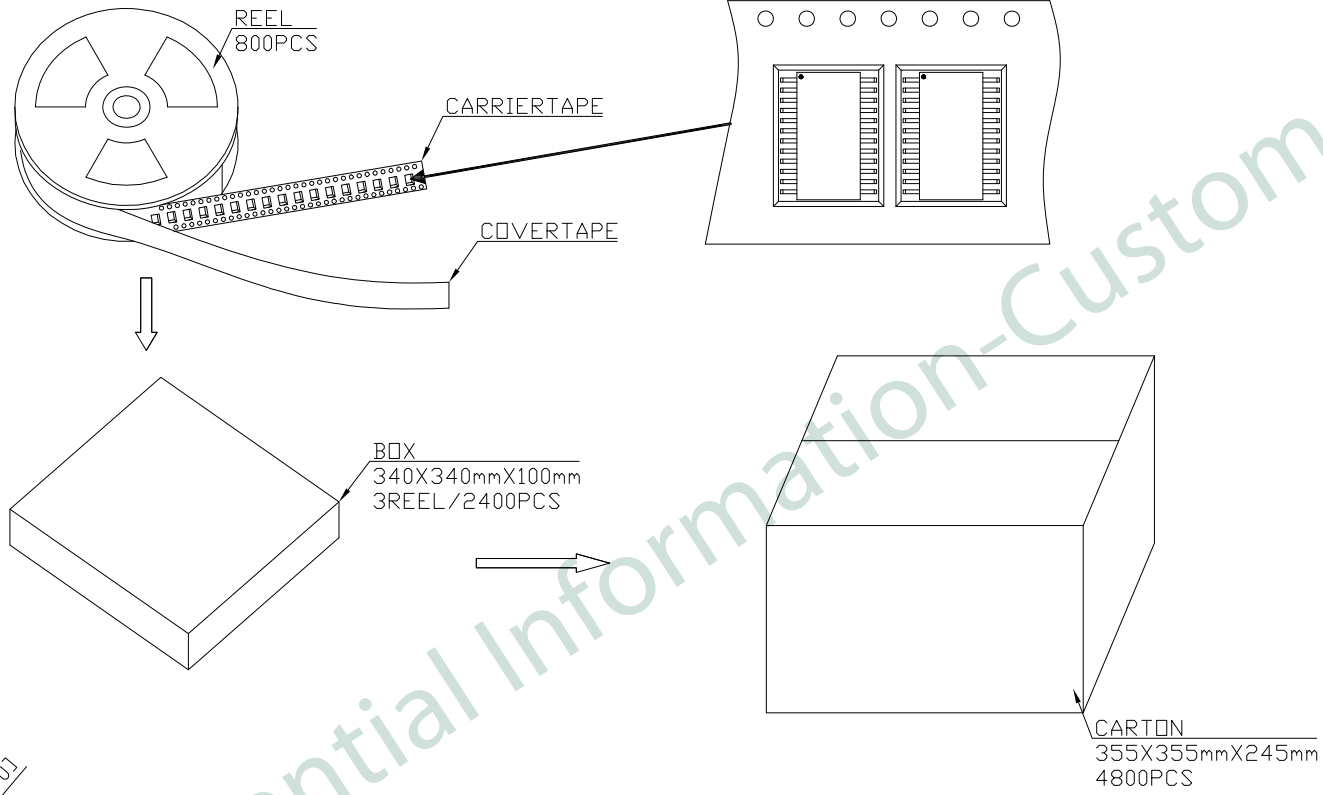
3. ELECTRICAL CHARACTERISTICS :

TEST NOTES:(25±5°C)

- TR:  
INPUT TO OUTPUT=1:1±3%
- CL: (100KHz, 100mV, 8mA, DC Bias)  
350uH MINIMUM
- DCR:  
EVERY RJ PAIR=1.2 Ω MAXIMUM
- INSERTION LOSS:  
-0.8dB MAXIMUM AT 0.3MHz TO 100MHz  
-1.2dB MAXIMUM AT 100MHz TO 125MHz
- RETURN LOSS:  
-20dB MINIMUM AT 1MHz TO 30MHz  
-16dB MINIMUM AT 30MHz TO 60MHz  
-12dB MINIMUM AT 60MHz TO 100MHz
- CROSS TALK:  
-40dB MINIMUM AT 1MHz TO 10MHz  
-35dB MINIMUM AT 30MHz TO 60MHz  
-30dB MINIMUM AT 60MHz TO 100MHz
- CM TO CM MODE REJECTION:  
-30dB MINIMUM AT 300KHz TO 100MHz
- HIPDT:  
INPUT(RJ SIDE) TO OUTPUT(LAN SIDE):  
1500 VAC/60SEC

PART NO		KTFZ-DGS2401CAG-XXX		
TITLE	1G BASE-T MAGNETICS MODULE			
REV : 02				
UNIT	DRAWN	CHKD	DATE	SHEET
mm[inch]	CINDY	VINCENT	Sep. 16, '20	2 of 3

4. PACKING SPECIFICATION :



PART NO		KTFZ-DGS2401CAG-XXX		
TITLE	1G BASE-T MAGNETICS MODULE			
REV : 02				
UNIT	DRAWN	CHKD	DATE	SHEET
mm[inch]	CINDY	VINCENT	Sep. 16, '20	3 of 3