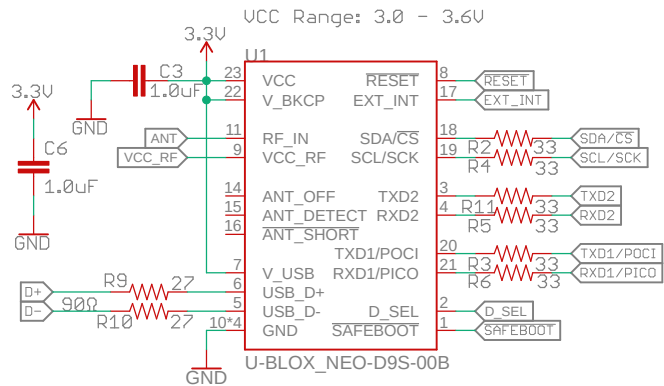
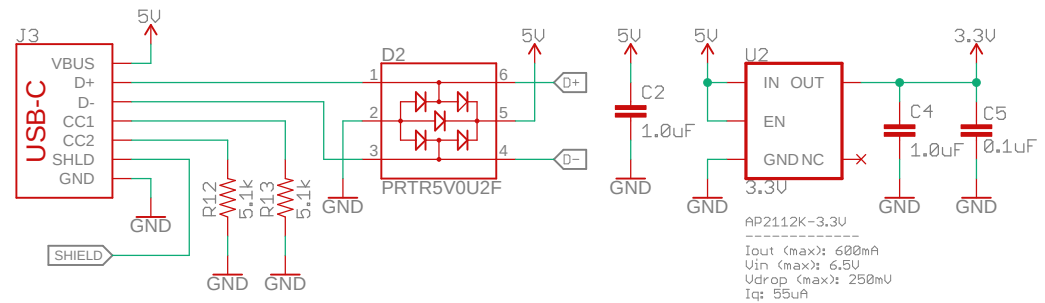


u-blox NEO-D9S

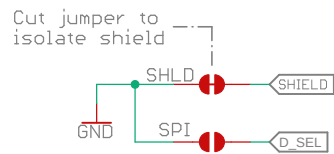
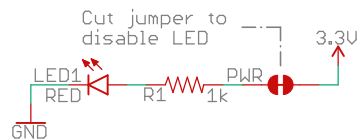
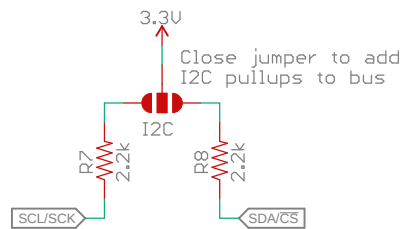


7-bit unshifted I2C address: 0x43

USB Connector - Power

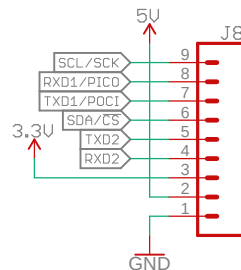
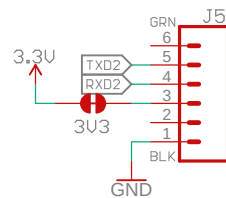
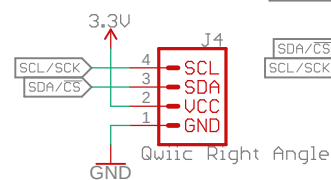
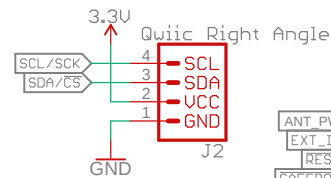


LED and Jumpers

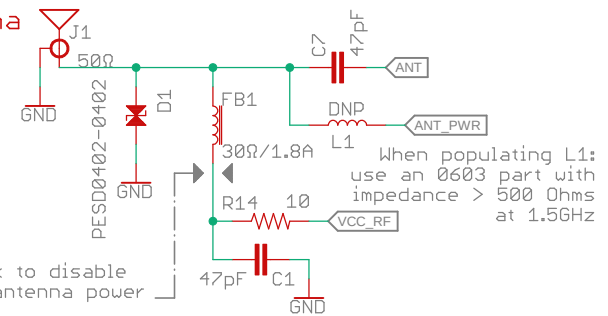


Close jumper to enable SPI

Headers



Antenna



Cut track to disable VCC_RF antenna power



Released under the Creative Commons

Attribution Share-Alike 4.0 License

<https://creativecommons.org/licenses/by-sa/4.0/>



TITLE: SparkFun NEO-D9S

Design by: Paul Clark

REV:
v10

Date: 07/04/2022 07:47

Sheet: 1/1