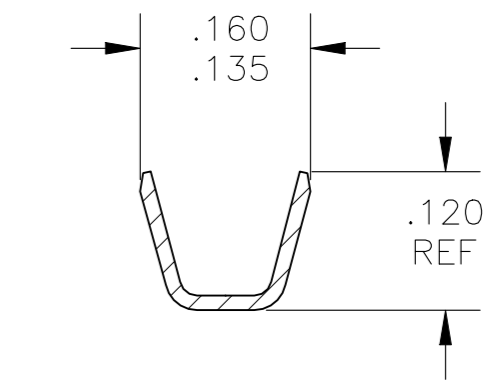
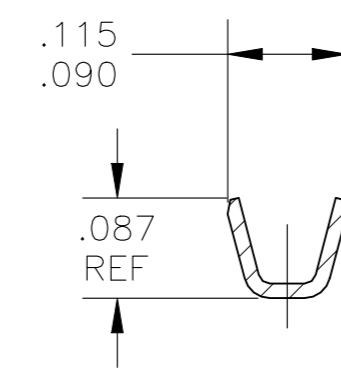
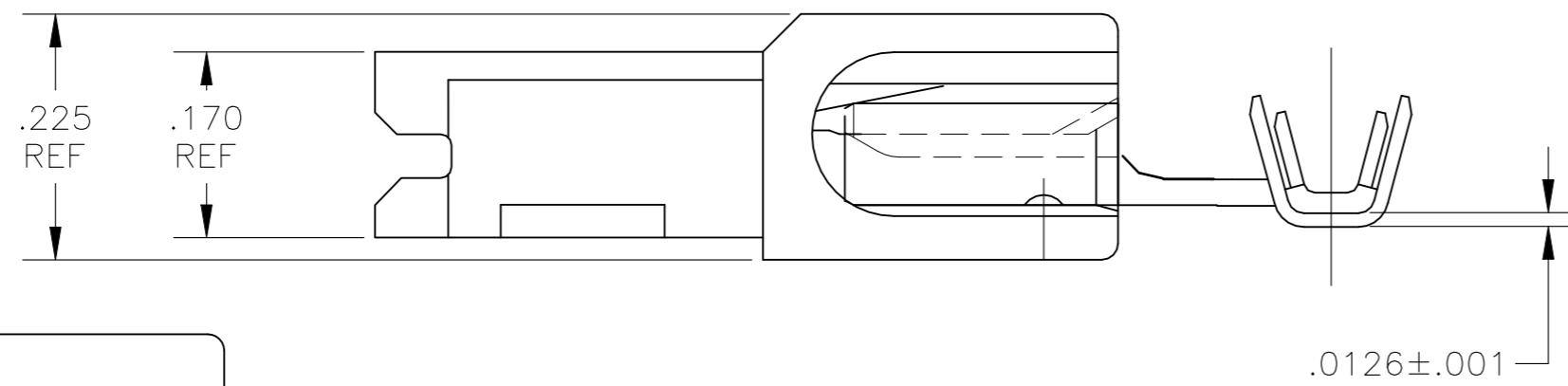
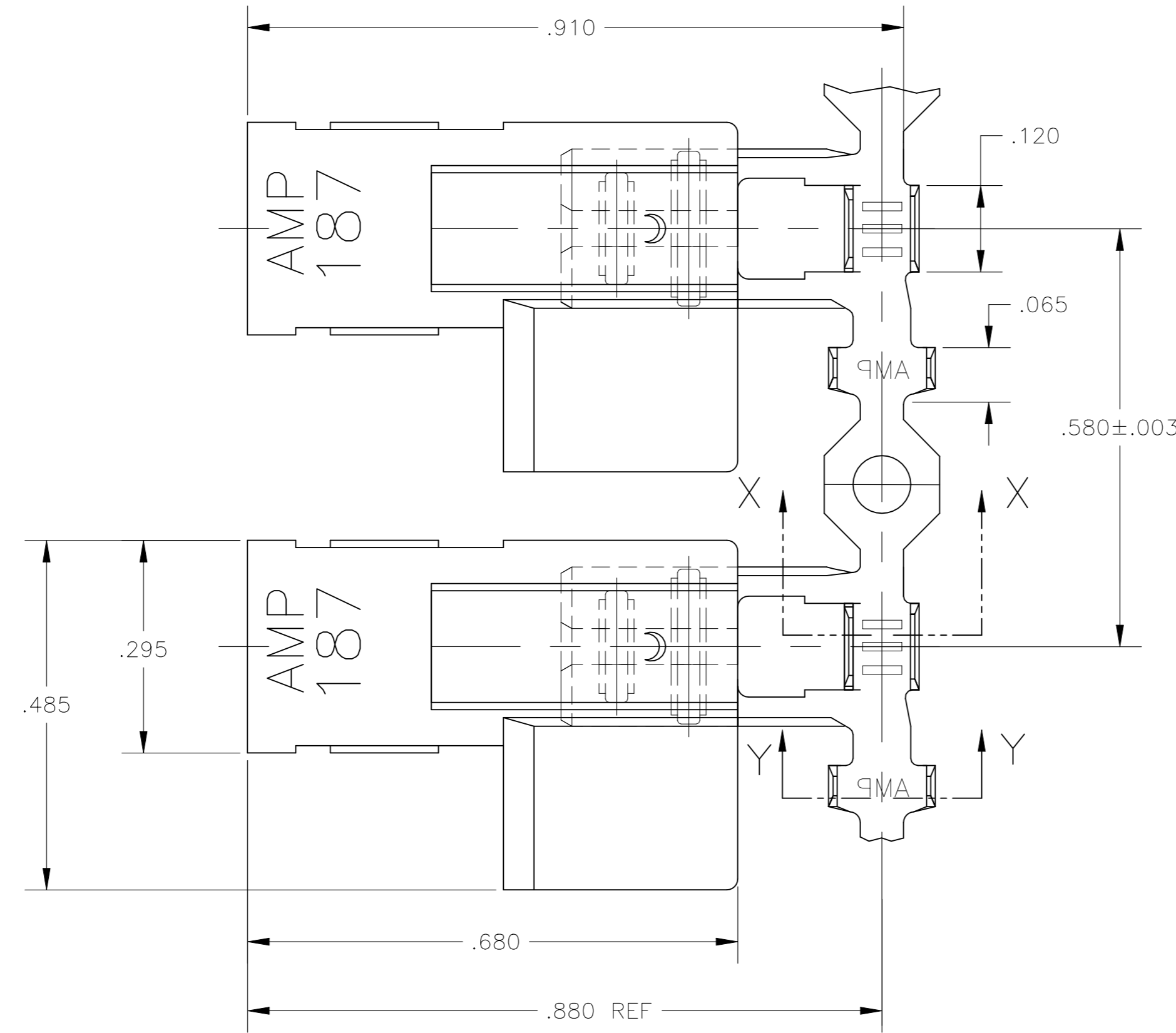


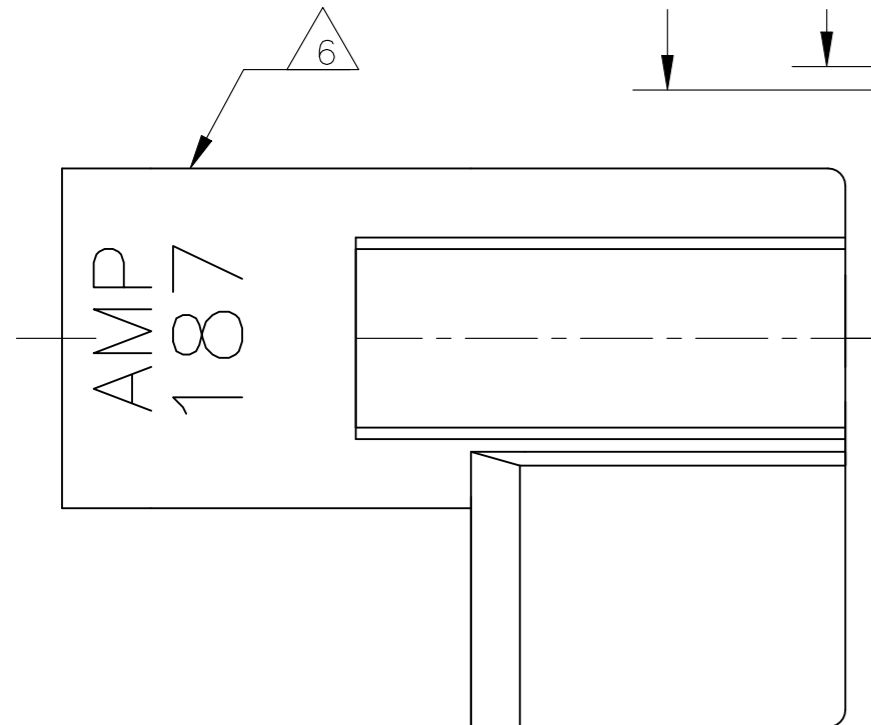
REVISIONS					
P	LTR	DESCRIPTION	DATE	DWN	APVD
E2		REVISED PER ECR-22-160893	15DEC2022	DB	BW

- 1 USE FLAG FASTON TERMINAL BASE
- 2 WIRE SIZE IS #22-#18 AWG
- 3 INSULATION RANGE IS .060-.110 DIA
- 4 MATERIAL;
TERMINAL: BRASS, FINISH: SEE TABLE
HOUSING: NYLON, NATURAL COLOR
- 5 FITS .187 X .032 THK FASTON TAB
- △ 6 ALTERNATIVE HOUSING FORM



SECTION X-X

SECTION Y-Y



SUPERSEDED BY 521600-2

TIN PLATE	521600-2
NO PLATING	521600-1
TERMINAL: FINISH	PART NO.

THIS DRAWING IS A CONTROLLED DOCUMENT.		DWN	JR RUTH	30JUL03
DIMENSIONS: INCHES		CHK	J HUMMEL	24JUL03
TOLERANCES UNLESS OTHERWISE SPECIFIED:		APVD	KRISTY YI	24JUL03
0 PLC	± -	PRODUCT SPEC		
1 PLC	± -	APPLICATION SPEC		
2 PLC	± -			
3 PLC	± .010			
4 PLC	± -			
ANGLES	± -			
MATERIAL	SEE NOTES	FINISH	SEE NOTES	WEIGHT
				0.000000
		CUSTOMER DRAWING		SCALE
				6:1
		SHEET		1 OF 1
		REV		E2

TE TE Connectivity

ASSEMBLY, RECPT, FLAG, ULTRA-POD, .187 SERIES
WIRE SIZE: 22-18 AWG

SIZE	A2	CAGE CODE	00779	DRAWING NO	C=521600	RESTRICTED TO	-
------	----	-----------	-------	------------	----------	---------------	---