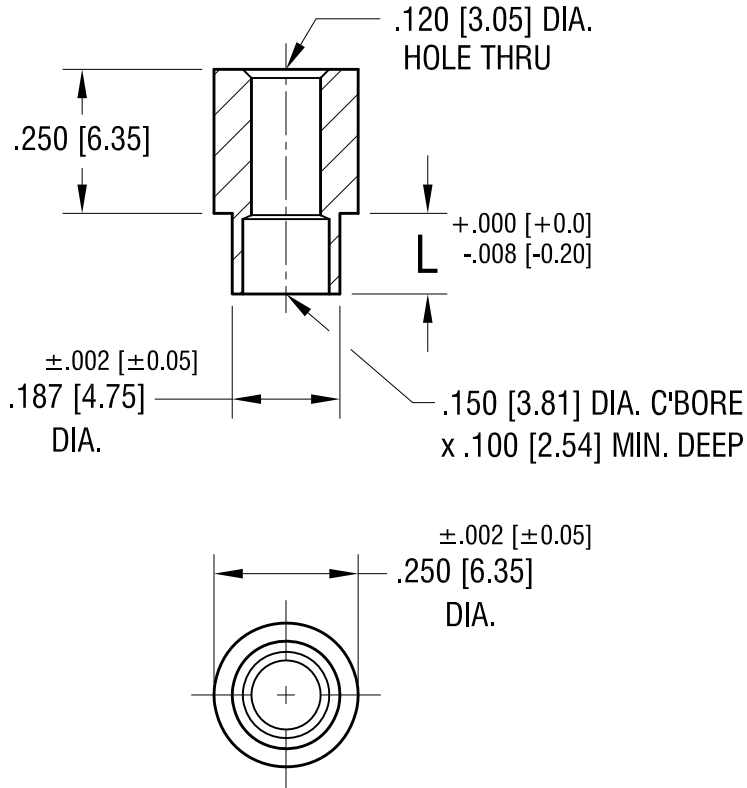


THIS DOCUMENT IS THE PROPERTY OF
KEYSTONE ELECTRONICS CORP. AND
SHALL NOT BE REPRODUCED, DISTRIBUTED
OR USED AS A BASIS FOR MANUFACTURE
WITHOUT PRIOR WRITTEN PERMISSION
FROM KEYSTONE ELECTRONICS CORP.

ACTUAL SIZE



P/N 5060-2



PART NO.	'L' DIM.
5060-2	.109 [2.77]
5060-3	.140 [3.56]

KEYSTONE ELECTRONICS CORP.			
www.keyelco.com • NEW HYDE PARK, NY 11040 • Tel (516) 328-7500			
PART NAME ROUND SWAGE CLEAR SPACER			
MATERIAL BRASS			
FINISH DUCTILE NICKEL PLATE	DRN BY BOONE	DATE 5.10.02	
	APP'D LN	SCALE 3X	
TOLERANCES INCH [MM] DECIMAL ± .005 [± 0.13] ANGULAR ± 1° UNLESS OTHERWISE SPECIFIED	CODE C	DWG NO. 5060-	

11.19.21	CHANGE AS PER ECN 21-142	A
DATE	DESCRIPTION	REV.