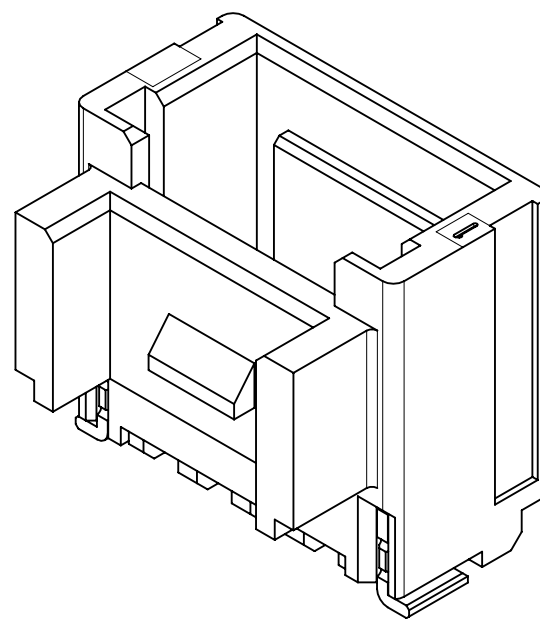


NOTES

- 1. 材料及び仕上げ(めっき仕様) : TABLE 1 参照  
MATERIAL AND FINISHES : SEE TABLE 1
- 2. 製品仕様書 : PS-501940-001  
PRODUCT SPECIFICATION:
- 3. 梱包形態 : SEE SHEET 3  
PACKAGING INFORMATION:
- 4. 嵌合相手 : 501939 シリーズ  
MATES WITH:501939 SERIES
- 5. アプリケーション仕様書(コネクタ取扱い説明書) : 5013300000-AS A00(JAPANESE)/A01(ENGLISH)  
APPLICATION SPECIFICATION(CONNECTOR MANUAL):
- 6. ソルダーピン及びネイルの平坦度:0.1 MAX  
SOLDER PIN AND NAIL COPLANARITY: 0.1 MAX
- 7. 偶数極に適用  
APPLY FOR EVEN CIRCUIT
- 8. 本製品は錫めっき品である。金めっき品は以下の図面を御参照下さい。  
THIS PRODUCT IS A TIN PLATING. PLEASE REFER TO THE FOLLOWING DRAWING FOR GOLD PLATING VERSION.

GOLD PLATING THICKNESS [micro-meter MIN]	SERIES No	DRAWING No
0.1	501940 **03	5019400001-SD PSD 000
0.38	203560 **03	2035600000-SD PSD 000
0.76	203561 **03	2035610000-SD PSD 000

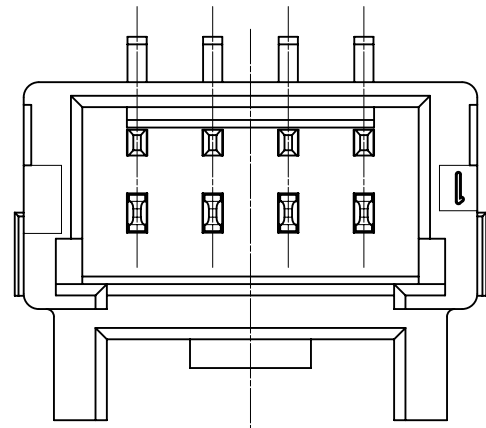
番号 NO	部品 PART	材質 MATERIAL	
1	ウエハー WAFER	ポリアミド(PA), UL94V-0, 色 : SEE SHEET 5 POLYAMIDE(PA), UL94V-0, COLOR : SEE SHEET 5	
2	ソルダーピン SOLDER PIN	リン青銅 PHOSPHOR BRONZE	
		接点部 CONTACT AREA	錫めっき : 1.0 MICRO-METER MIN MATTE TIN PLATING
		テール部 TAIL AREA	錫めっき : 1.0 MICRO-METER MIN MATTE TIN PLATING
3	ネイル NAIL	リン青銅 PHOSPHOR BRONZE	
		テール部 TAIL AREA	錫めっき : 1.0 MICRO-METER MIN MATTE TIN PLATING
		下地めっき UNDER PLATING	ニッケルめっき : 1.0 MICRO-METER MIN NICKEL
4	カバーテープ COVER TAPE	ポリイミドテープ POLYIMIDE TAPE	



5.2	6.5	4.0	7.0	5
	5.5	3.0	6.0	4
4.2	4.5	2.0	5.0	3
D	C	B	A	極数 CIRCUIT SIZE

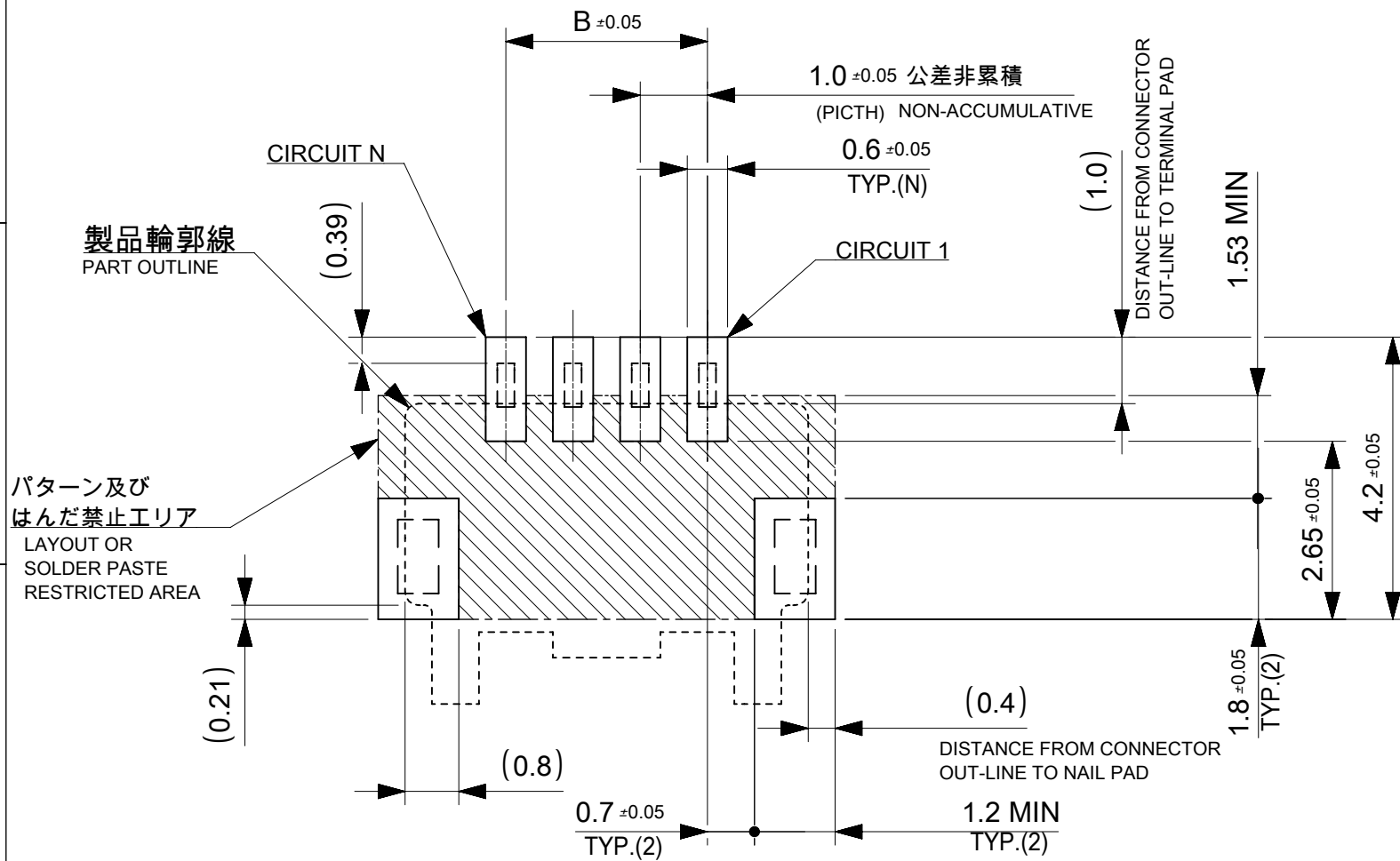
THIS DRAWING CONTAINS INFORMATION THAT IS PROPRIETARY TO MOLEX ELECTRONIC TECHNOLOGIES, LLC AND SHOULD NOT BE USED WITHOUT WRITTEN PERMISSION

DIMENSION UNITS	SCALE	CURRENT REV DESC:		
mm	NTS			
GENERAL TOLERANCES (UNLESS SPECIFIED)		molex		
ANGULAR TOL	± 3.0 °	PICO-CLASP 1.0 W/B SINGLE ROW VT SMT OUTER LOCK TIN PLATING		
4 PLACES	± 0.2	PRODUCT CUSTOMER DRAWING		
3 PLACES	± 0.2	DOCUMENT NUMBER		
2 PLACES	± 0.2	5019400000-SD		
1 PLACE	± 0.2	DOC TYPE DOC PART REVISION		
0 PLACES	± 0.2	PSD 000 B		
DRAFT WHERE APPLICABLE MUST REMAIN WITHIN DIMENSIONS		THIRD ANGLE PROJECTION	DRAWING	SERIES
			A3-SIZE	501940
		MATERIAL NUMBER	CUSTOMER	SHEET NUMBER
		SEE SHEET 5	GENERAL	1 OF 5



製品レイアウト  
PRODUCT LAYOUT

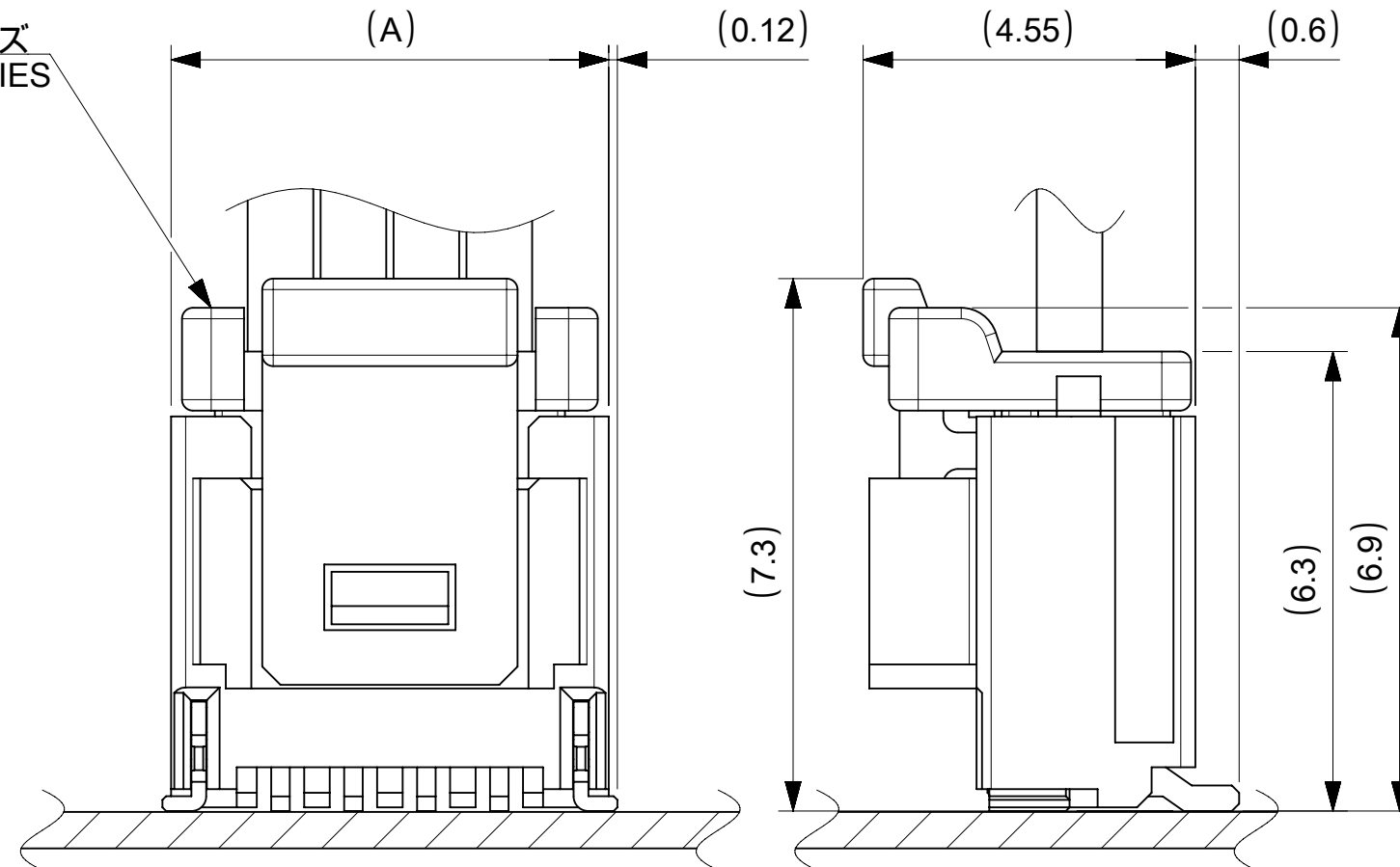
△ 4 嵌合相手 : 501939 シリーズ  
MATE WITH : 501939 SERIES



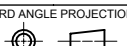
推奨基板レイアウト(全極数適用) : 実装面側  
(参考 : 基板厚 1.0mm, メタルマスク厚さ 0.12mm, マスク開口率100%)

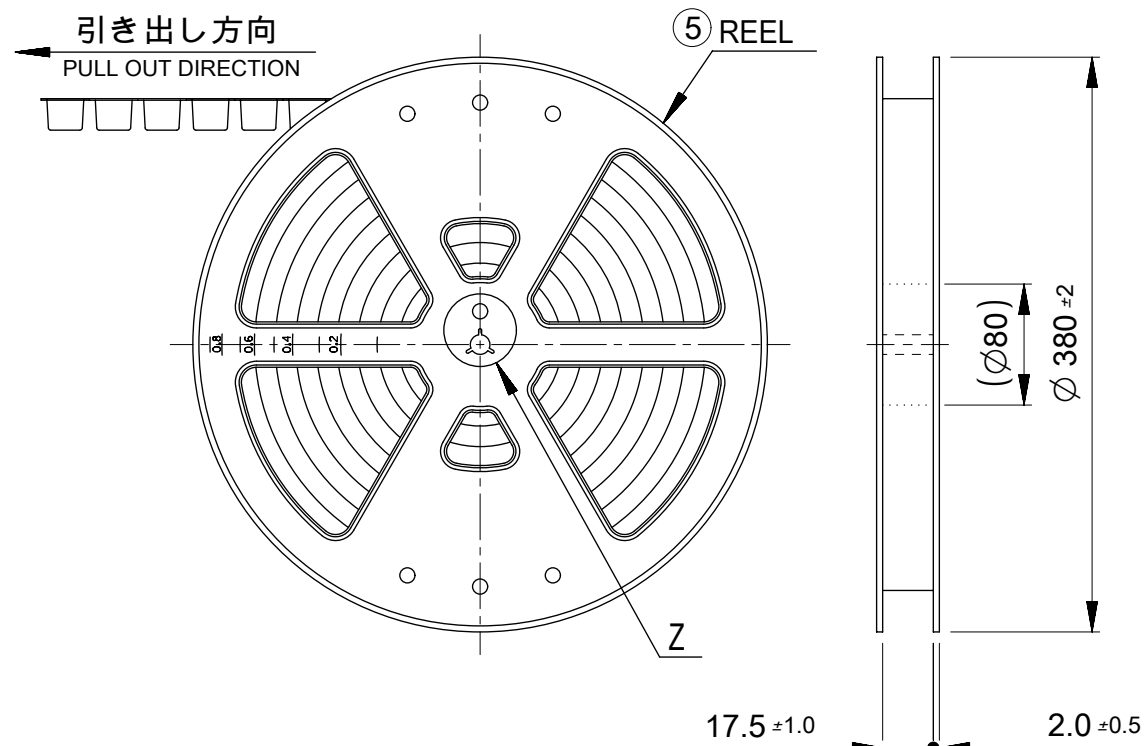
POLARIZED RECOMMENDED PCB LAYOUT(APPLY TO ALL CIRCUIT) : COMPONENT SIDE  
(REFERENCE: PCB THICKNESS 1.0mm, STENCIL THICKNESS 0.12mm, APERTURE RATIO 100%)

 :パターン禁止エリア  
RESTRICTED AREA  
NO PCB COMPONENTS ALLOWED



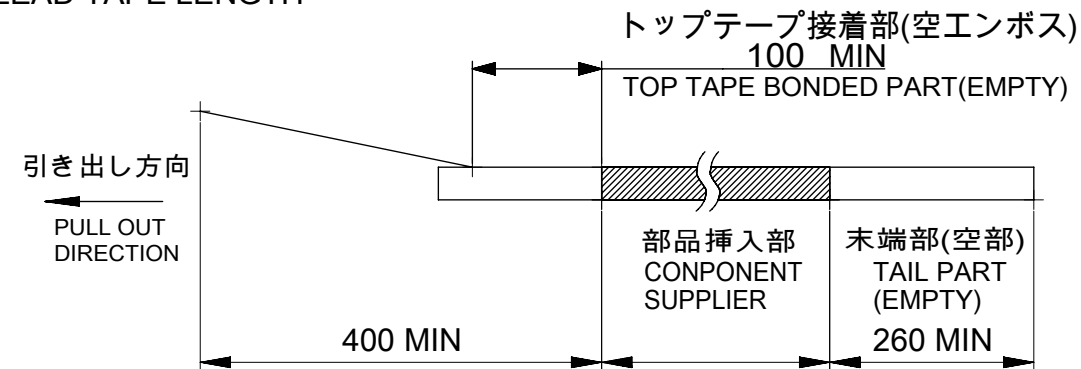
嵌合図  
MATED CONNECTORS

THIS DRAWING CONTAINS INFORMATION THAT IS PROPRIETARY TO MOLEX ELECTRONIC TECHNOLOGIES, LLC AND SHOULD NOT BE USED WITHOUT WRITTEN PERMISSION									
DIMENSION UNITS		SCALE		CURRENT REV DESC:					
mm		NTS		<p><b>molex</b></p> <p>PICO-CLASP 1.0 W/B SINGLE ROW VT SMT OUTER LOCK TIN PLATING</p> <p>PRODUCT CUSTOMER DRAWING</p> <p>DOCUMENT NUMBER: 5019400000-SD   DOC TYPE: PSD   DOC PART: 000   REVISION: B</p> <p>MATERIAL NUMBER: SEE SHEET 5   CUSTOMER: GENERAL   SHEET NUMBER: 2 OF 5</p>					
GENERAL TOLERANCES (UNLESS SPECIFIED)									
ANGULAR TOL ± 3.0 °									
4 PLACES ± 0.2									
3 PLACES ± 0.2									
2 PLACES ± 0.2									
1 PLACE ± 0.2									
0 PLACES ± 0.2									
DRAFT WHERE APPLICABLE MUST REMAIN WITHIN DIMENSIONS				THIRD ANGLE PROJECTION		DRAWING		SERIES	
				A3-SIZE		501940			

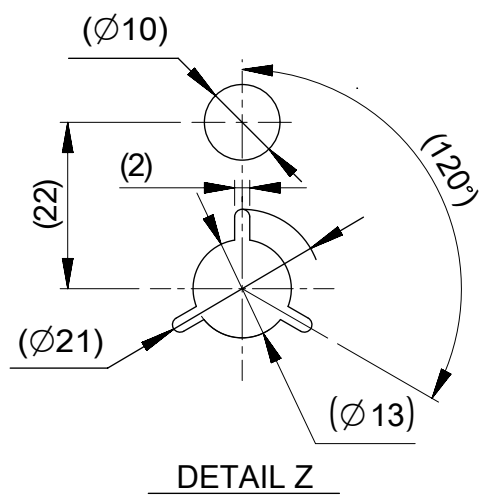


**NOTES**

- 9. 梱包数量:1100個/リール  
NUMBER OF CONNECTORS : 1100 PIECES/REEL
- 10. リードテープ長さ  
LEAD TAPE LENGTH



- 11. トップテープの剥離強度はIEC60286-3に準拠。  
TOP TAPE PEELING FORCE IS DEFINED BY IEC60286-3.
- 12. 梱包仕様書 : SPK-501940-001  
PACKAGE SPECIFICATION:
- 13. 発注番号 : SHEET 5 参照  
ORDER No. : PLEASE REFER TO SHEET 5 FOR PRODUCT LIST.



**501940**    \*\* \* \*

極数 CIRCUIT SIZE	ハウジングカラー HOUSING COLOR	製品識別番号 IDENTIFICATION NUMBER
	0:NATURAL(BEIGE)	7:EMBOSSED PACKAGE

THIS DRAWING CONTAINS INFORMATION THAT IS PROPRIETARY TO MOLEX ELECTRONIC TECHNOLOGIES, LLC AND SHOULD NOT BE USED WITHOUT WRITTEN PERMISSION		CURRENT REV DESC:		<b>molex</b>	
DIMENSION UNITS mm	SCALE NTS	EC NO: 635683			
GENERAL TOLERANCES (UNLESS SPECIFIED)		DRWN: MIKEDA01      2020/04/10		PICO-CLASP 1.0 W/B	
ANGULAR TOL ± 3.0 °		CHK'D: SAKIYAMA      2020/05/13		SINGLE ROW VT SMT OUTER LOCK TIN PLATING	
4 PLACES ± 0.2		APPR: KOMURAKAMI      2020/05/14		PRODUCT CUSTOMER DRAWING	
3 PLACES ± 0.2		INITIAL REVISION:		DOCUMENT NUMBER	
2 PLACES ± 0.2		DRWN: AISHIKAWA      2019/03/13		5019400000-SD	
1 PLACE ± 0.2		APPR: KOMURAKAMI      2019/04/03		PSD 000 B	
0 PLACES ± 0.2		DRAFT WHERE APPLICABLE MUST REMAIN WITHIN DIMENSIONS		CUSTOMER	
THIRD ANGLE PROJECTION		DRAWING		SHEET NUMBER	
A3-SIZE		SERIES		3 OF 5	
501940		MATERIAL NUMBER		GENERAL	
SEE SHEET 5		CUSTOMER		GENERAL	

番号 NO.	部品 PART	材質 MATERIAL
⑤	リール REEL	ポリスチレン(PS) <リサイクル材を含む> POLYSTYRENE(PS) <RECYCLE MATERIAL CONTAINED>
DOCUMENT STATUS	P1	RELEASE DATE 2020/05/14 10:49:39

引き出し方向  
PULL OUT DIRECTION

16mm幅テープ  
TAPE WIDTH:16mm

⑦ TOP TAPE

CONNECTOR

⑥ CARRIER TAPE

SECTION Y-Y

12.0 ±0.1

Y →

(5.65)

(2.55)

(7.5) コネクター中心位置  
CENTER OF CONNECTOR

SECTION X-X

0.5 ±0.05

(5.65)

(5.8)  
(6.8)

(D)

16.0 ±0.3

Y →

CIRCUIT 1

∅ 1.5<sup>+0.1</sup><sub>0.0</sub>

1.75 ±0.1

(2.0) エンボスポケット中心位置  
CENTER OF EMBOSSED POCKET

累積ピッチ : 40 ±0.2  
ACUUMLATIVE PITCH:

4.0 ±0.1

8.3	5
7.3	4
6.3	3
D	極数 CIRCUIT SIZE

THIS DRAWING CONTAINS INFORMATION THAT IS PROPRIETARY TO MOLEX ELECTRONIC TECHNOLOGIES, LLC AND SHOULD NOT BE USED WITHOUT WRITTEN PERMISSION

DIMENSION UNITS	SCALE	CURRENT REV DESC:	
mm	NTS		
GENERAL TOLERANCES (UNLESS SPECIFIED)			
ANGULAR TOL	± 3.0 °	EC NO: 635683	
4 PLACES	± 0.2	DRWN: MIKEDA01	2020/04/10
3 PLACES	± 0.2	CHK'D: SAKIYAMA	2020/05/13
2 PLACES	± 0.2	APPR: KOMURAKAMI	2020/05/14
1 PLACE	± 0.2	INITIAL REVISION:	
0 PLACES	± 0.2	DRWN: AISHIKAWA	2019/03/13
DRAFT WHERE APPLICABLE MUST REMAIN WITHIN DIMENSIONS		APPR: KOMURAKAMI	2019/04/03
THIRD ANGLE PROJECTION	DRAWING	SERIES	MATERIAL NUMBER
	A3-SIZE	501940	SEE SHEET 5
CUSTOMER		SHEET NUMBER	
GENERAL		4 OF 5	

**molex**

PICO-CLASP 1.0 W/B  
SINGLE ROW VT SMT OUTER LOCK TIN PLATING

PRODUCT CUSTOMER DRAWING

DOCUMENT NUMBER: 5019400000-SD  
DOC TYPE: PSD  
DOC PART: 000  
REVISION: B

番号 NO.	部品 PART	材質 MATERIAL
⑥	キャリアテープ CARRIER TAPE	ポリプロピレン(PP)、その他 POLYPROPYLENE(PP), etc
⑦	トップテープ TOP TAPE	ポリエチレン(PE)、その他 POLYETHYLENE(PE), etc

DOCUMENT STATUS	P1	RELEASE DATE	2020/05/14	10:49:39
-----------------	----	--------------	------------	----------

9 8 7 6 5 4 3 2 1

E

E

D

D

C

C

B

B

A

A

13 製品一覧 PRODUCT LIST

HOUSING COLOR	
NATURAL(BEIGE)	
501940 0507	5
501940 0407	4
501940 0307	3
発注番号 ORDER No	極数
梱包形態 : エンボスリール PACKAGE:EMBOSSED REEL	CIRCUIT SIZE

THIS DRAWING CONTAINS INFORMATION THAT IS PROPRIETARY TO MOLEX ELECTRONIC TECHNOLOGIES, LLC AND SHOULD NOT BE USED WITHOUT WRITTEN PERMISSION											
DIMENSION UNITS	SCALE	CURRENT REV DESC:					<b>molex</b>				
mm	NTS										
GENERAL TOLERANCES (UNLESS SPECIFIED)		EC NO: 635683					PICO-CLASP 1.0 W/B				
ANGULAR TOL	± 3.0 °	DRWN: MIKEDA01 2020/04/10					SINGLE ROW VT SMT OUTER LOCK TIN PLATING				
4 PLACES	± 0.2	CHK'D: SAKIYAMA 2020/05/13					PRODUCT CUSTOMER DRAWING				
3 PLACES	± 0.2	APPR: KOMURAKAMI 2020/05/14					DOCUMENT NUMBER				
2 PLACES	± 0.2	INITIAL REVISION:					5019400000-SD		DOC TYPE	DOC PART	REVISION
1 PLACE	± 0.2	DRWN: AISHIKAWA 2019/03/13							PSD	000	B
0 PLACES	± 0.2	APPR: KOMURAKAMI 2019/04/03									
DRAFT WHERE APPLICABLE MUST REMAIN WITHIN DIMENSIONS		THIRD ANGLE PROJECTION	DRAWING	SERIES	MATERIAL NUMBER	CUSTOMER		SHEET NUMBER			
			A3-SIZE	501940	SEE SHEET 5	GENERAL		5 OF 5			

DOCUMENT STATUS	P1	RELEASE DATE	2020/05/14	10:49:39
-----------------	----	--------------	------------	----------

9 8 7 6 5 4 3 2 1

FORMAT: master-ib-prod-A3  
REVISION: 11  
DATE: 2018/01/18