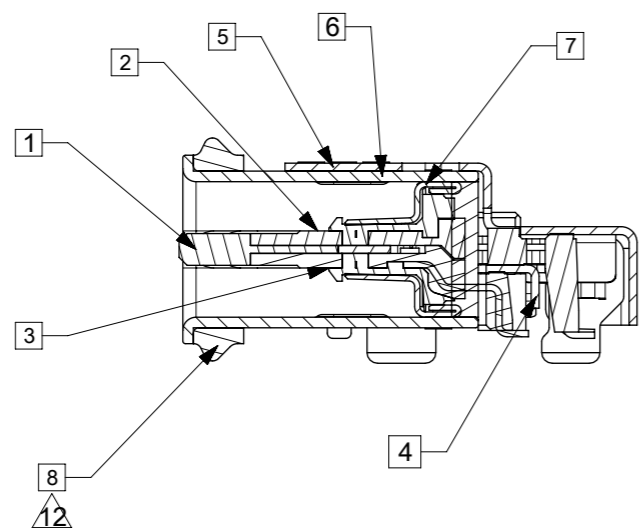
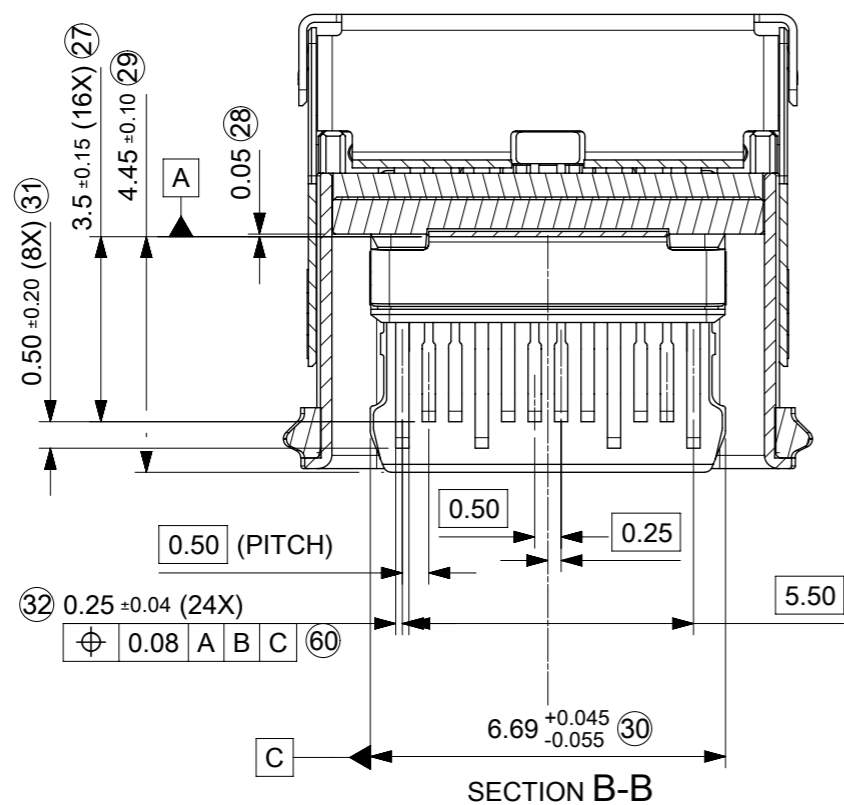


THIS DRAWING CONTAINS INFORMATION THAT IS PROPRIETARY TO MOLEX ELECTRONIC TECHNOLOGIES, LLC AND SHOULD NOT BE USED WITHOUT WRITTEN PERMISSION									
DIMENSION UNITS		SCALE		CURRENT REV DESC:					
mm		7:1		<p>molex</p> <p>TOP MOUNT USB TYPE C RECEPTACLE IPX8</p> <p>PRODUCT CUSTOMER DRAWING</p> <p>EC NO: 702643 DRWN: FYANG05 2022/04/08 CHK'D: RLI09 2022/04/14 APPR: RLI09 2022/04/14</p> <p>INITIAL REVISION: DRWN: FYANG05 2020/12/16 APPR: RLI09 2022/04/14</p> <p>DOCUMENT NUMBER: 2178040001 DOC TYPE: PSD DOC PART: 000 REVISION: A</p> <p>MATERIAL NUMBER: 2178040001 CUSTOMER: GENERAL MARKET SHEET NUMBER: 1 OF 4</p>					
GENERAL TOLERANCES (UNLESS SPECIFIED)									
ANGULAR TOL ± 3.0°									
4 PLACES ±									
3 PLACES ±									
2 PLACES ± 0.2									
1 PLACE ± 0.2									
0 PLACES ±									
DRAFT WHERE APPLICABLE MUST REMAIN WITHIN DIMENSIONS				THIRD ANGLE PROJECTION		DRAWING		SERIES	
		A3-SIZE		217804					

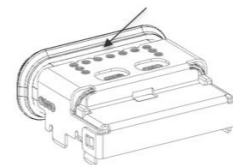


SECTION A-A

NOTES:

1. MATERIAL (DETAIL REFER TO SHART):
HOUSING: NYLON WITH GLASS FILLED, BLACK, UL94V-0.
TERMINALS: COPPER ALLOY.
SHELL: STAINLESS STEEL.
LIM (SEALING RING): SILICA RUBBER
2. PLATING:
TERMINAL:
CONTACT AREA: 0.76 MICROMETER MIN. GOLD PLATING
UNDER PLATING: 2 MICROMETER MIN. NICKEL PLATING OVERALL
SHELL: 1 MICROMETER MIN. SOLDERABLE NICKEL PLATING OVERALL.
3. PRODUCT SPEC REFER TO 2178040000PS000.
4. PACKAGE SPEC REFER TO 2178040001PDDPK0.
5. COPLANARITY OF SMT PINS SOLDER TAIL IS 0.10MM MAX.
AND RECOMMEND THE STENCIL THICKNESS IS 0.10MM MIM.
6. T/H SOLDER TAIL POSITION CAN BE CONTROLLED BY GAUGE.
7. DESIGN FOR WATERPROOF WITH IPX8 (WATER SLOT WITH 1.5MM & 30MINUTES)
8. LASER WELDING POINTS MAY BE DISCLOSED.
THE QUANTITY OF POINT IS FOR REFERENCE IN LASER WELDING ZONE.
9. METAL EXPOSED AREA COULD BE SLIGHTLY CHANGED BASED ON
MANUFACTURE PROCESS CONDITION ON EACH LOT.
HOWEVER, THIS WOULD NOT AFFECT CONNECTOR FUNCTION.
10. PIN ASSIGNMENT COMPLIANCE TO USB TYPE C STANDARD.
AND THE MATING DIMENSIONS CONSIST OF
"Universal Serial Bus Type-C cable and Connector Specification."
11. DATE CODE: XX XX XX XX XX
YEAR MONTH DATE HOUR MINUTE
12. LIM MAY HAS A SMALL DIFFERENT APPEARANCE FROM DIFFERENT SUPPLIERS.
BUT IT DOES NOT AFFECT PRODUCT FUNCTION.

LIM without small slot

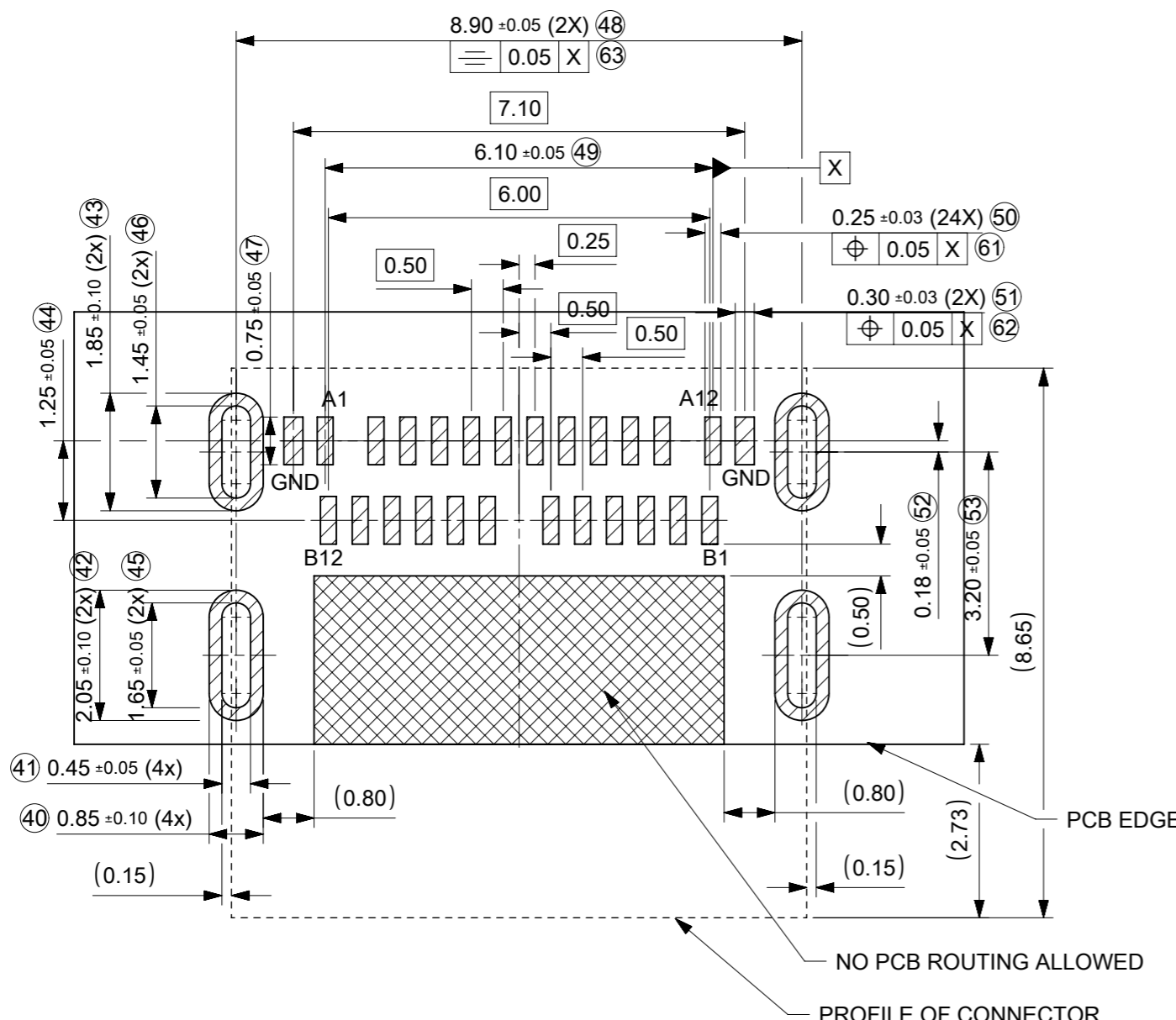


LIM with Small slot around



8	LIM (SEALING RING)	1	SILICA RUBBER	BLACK
7	INNER SHELL	2	STAINLESS STEEL	NICKEL PLATING OR CLEANING
6	MAIN SHELL	1	STAINLESS STEEL	NICKEL PLATING OR CLEANING
5	OUT SHELL	1	STAINLESS STEEL	SOLDERABLE NICKEL PLATING
4	MID BLADE	1	STAINLESS STEEL	SOLDER TAIL: GOLD FLASH OVER NICKEL PLATING
3	BOTTOM TERMINAL	12	COOPER ALLOY	CONTACT AREA: 30U'GOLD PLAING SOLDER TAIL: GOLD FLASH OVER NICKEL
2	TOP TERMINAL	12	COPPER ALLOY	CONTACT AREA: 30U'GOLD PLAING SOLDER TAIL: GOLD FLASH OVER NICKEL PLATING
1	MOLDING HOUSING	1	HIGH TEMPERATURE PLASTIC	BALCK
ITEM	DESCRIPTION	1'TY	METAERIAL	REMARK

THIS DRAWING CONTAINS INFORMATION THAT IS PROPRIETARY TO MOLEX ELECTRONIC TECHNOLOGIES, LLC AND SHOULD NOT BE USED WITHOUT WRITTEN PERMISSION									
DIMENSION UNITS	SCALE	CURRENT REV DESC:							
mm	1:1								
GENERAL TOLERANCES (UNLESS SPECIFIED)		EC NO: 702643			PRODUCT CUSTOMER DRAWING				
ANGULAR TOL ± 3.0°		DRWN: FYANG05 2022/04/08							
4 PLACES ±		CHK'D: RLI09 2022/04/14			DOCUMENT NUMBER: 2178040001 DOC TYPE: PSD DOC PART: 000 REVISION: A				
3 PLACES ±		APPR: RLI09 2022/04/14							
2 PLACES ± 0.2		INITIAL REVISION:			MATERIAL NUMBER: 2178040001 CUSTOMER: GENERAL MARKET SHEET NUMBER: 2 OF 4				
1 PLACE ± 0.2		DRWN: FYANG05 2020/12/16							
0 PLACES ±		APPR: RLI09 2022/04/14							
DRAFT WHERE APPLICABLE MUST REMAIN WITHIN DIMENSIONS		THIRD ANGLE PROJECTION	DRAWING	SERIES					
			A3-SIZE	217804					

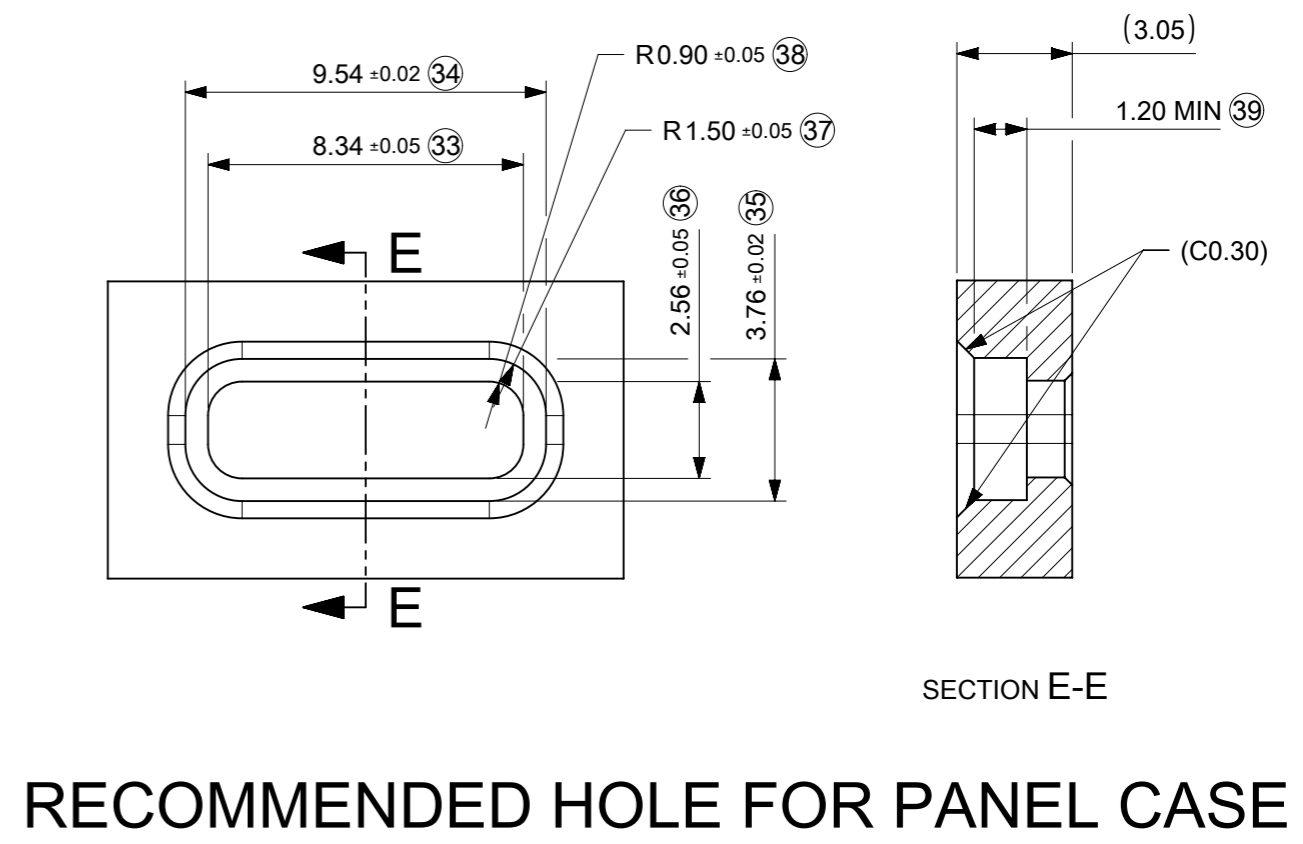


RECOMMENDED PCB LAYOUT

(RECOMMEND THICKNESS:0.80MM)

PIN ASSIGNMENT VIA TYPE C STANDARD

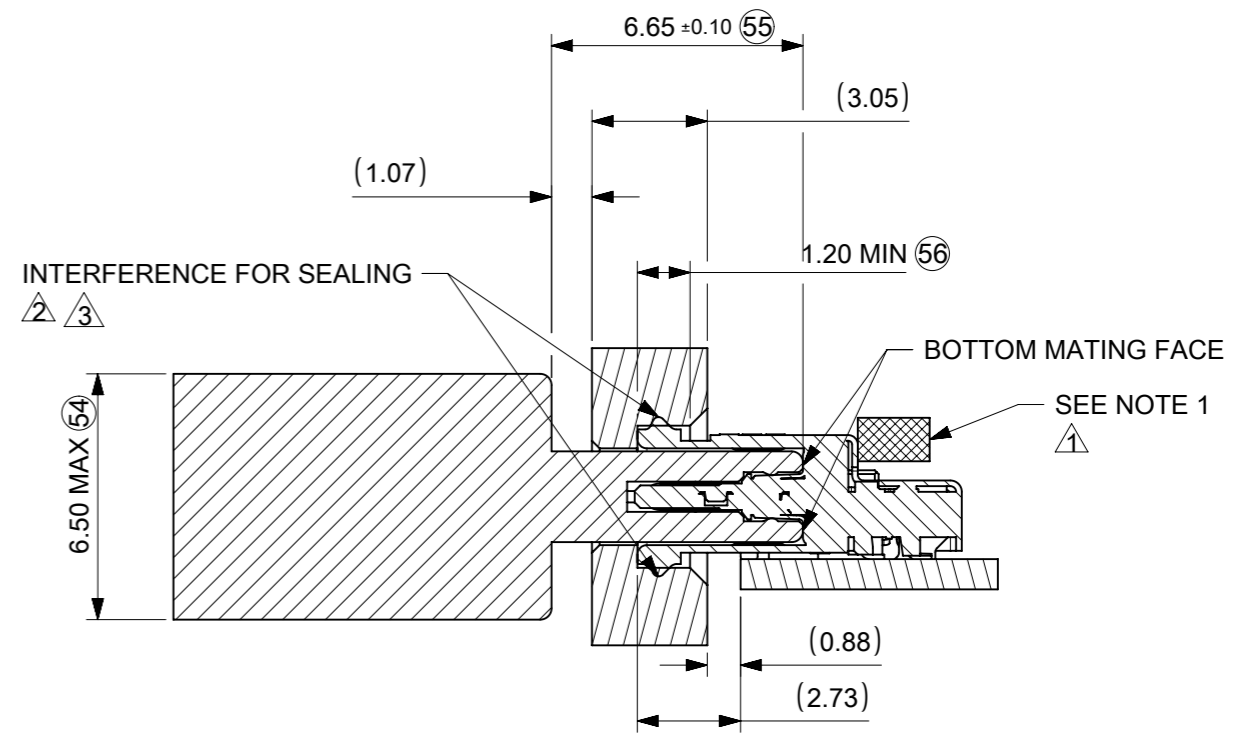
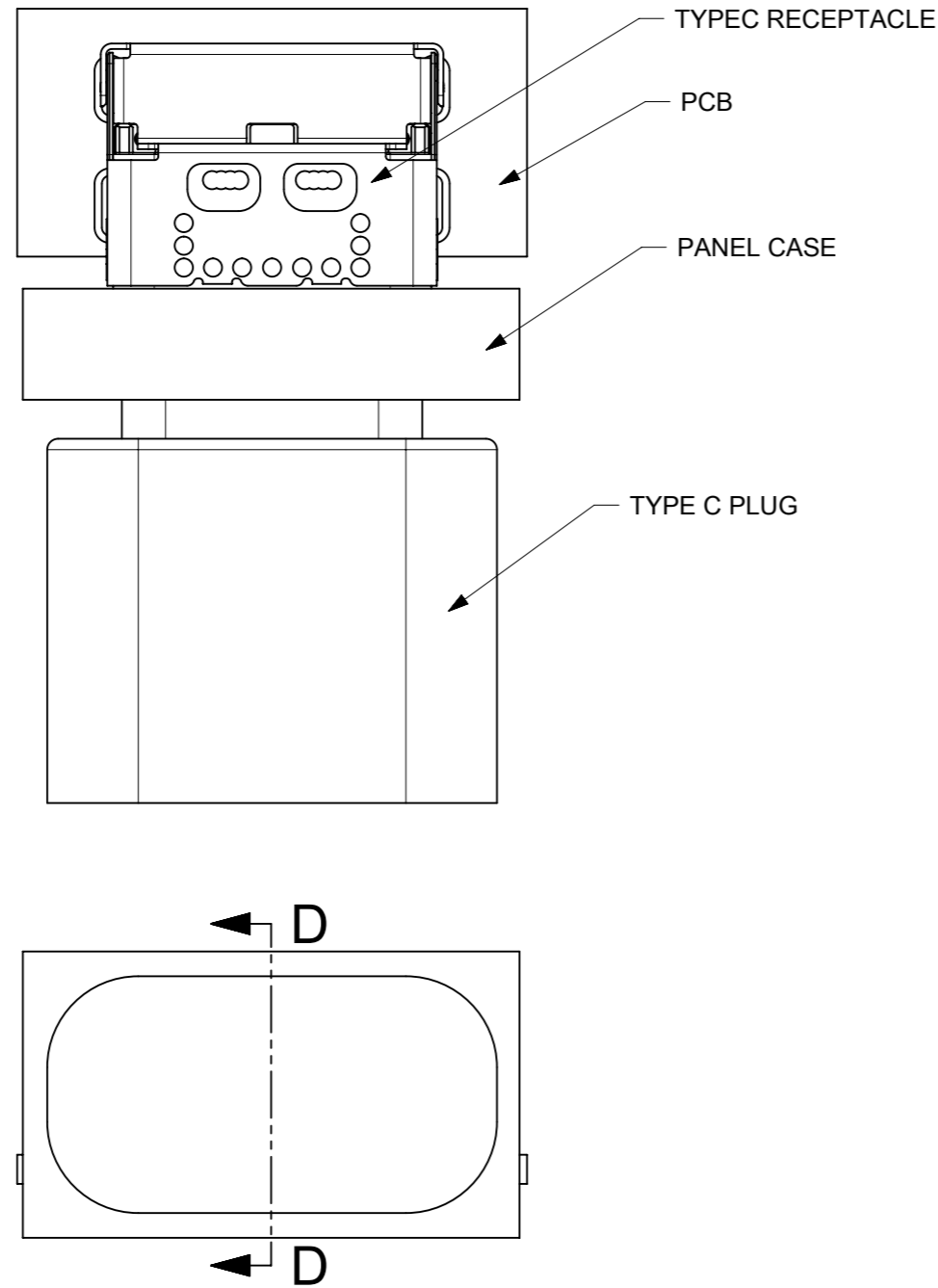
PIN ASSIGNMENT											
A1	A2	A3	A4	A5	A6	A7	A8	A9	A10	A11	A12
GND	TX1+	TX1-	VBUS	CC1	D+	D-	SBU1	VBUS	RX2-	RX2+	GND
GND	RX1+	RX1-	VBUS	SBU2	D-	D+	CC2	VBUS	TX2-	TX2+	GND
B12	B11	B10	B9	B8	B7	B6	B5	B4	B3	B2	B1



THIS DRAWING CONTAINS INFORMATION THAT IS PROPRIETARY TO MOLEX ELECTRONIC TECHNOLOGIES, LLC AND SHOULD NOT BE USED WITHOUT WRITTEN PERMISSION

DIMENSION UNITS mm	SCALE 1:1	CURRENT REV DESC:	molex			
GENERAL TOLERANCES (UNLESS SPECIFIED)		EC NO: 702643				TOP MOUNT USB TYPE C RECEPTACLE IPX8
ANGULAR TOL ± 3.0°	4 PLACES ±	DRWN: FYANG05	2022/04/08			
3 PLACES ±	2 PLACES ± 0.2	CHK'D: RLI09	2022/04/14			
1 PLACE ± 0.2	0 PLACES ±	APPR: RLI09	2022/04/14			
DRAFT WHERE APPLICABLE MUST REMAIN WITHIN DIMENSIONS		INITIAL REVISION:	DOCUMENT NUMBER	DOC TYPE	DOC PART	REVISION
THIRD ANGLE PROJECTION		DRWN: FYANG05	2178040001	PSD	000	A
DRAWING		APPR: RLI09	MATERIAL NUMBER	CUSTOMER	SHEET NUMBER	
A3-SIZE	SERIES	2020/12/16	217804	GENERAL MARKET	3 OF 4	

RELATIVE POSITION REFER TO APPLICATION



SECTION D-D

NOTE IN THIS SHEET :

- 1. TO PREVENT CONNECTOR DAMAGE IN WORST CASE SCENARIO (EX. SHOCK TEST OR USB PLUG IN OVER FORCE), RECOMMEND TO HAVE BACK SUPPORT/HARD STOPPER DESIGN.
- 2. THERE IS A POSSIBILITY OF BURR OR PELLICLE OCCUR AT LIM PART. BUT IT HAS NO IMPACTION FOR PRODCUTION,ASSEMBLY AND WATERPROOF ABILITY.
- 3. INTERFERENCE REGION OF SEALING RING SHALL BE KEPT IN SLOT OF 1.20MM MIN.

THIS DRAWING CONTAINS INFORMATION THAT IS PROPRIETARY TO MOLEX ELECTRONIC TECHNOLOGIES, LLC AND SHOULD NOT BE USED WITHOUT WRITTEN PERMISSION									
DIMENSION UNITS		SCALE		CURRENT REV DESC:				molex	
mm		1:1							
GENERAL TOLERANCES (UNLESS SPECIFIED)									
ANGULAR TOL ± 3.0 °									
4 PLACES		±		EC NO: 702643		2022/04/08		TOP MOUNT USB TYPE C RECEPTACLE IPX8	
3 PLACES		±		DRWN: FYANG05		2022/04/14			
2 PLACES		± 0.2		CHK'D: RLI09		2022/04/14			
1 PLACE		± 0.2		APPR: RLI09		2022/04/14		PRODUCT CUSTOMER DRAWING	
0 PLACES		±		INITIAL REVISION:		DOCUMENT NUMBER		DOC TYPE DOC PART REVISION	
				DRWN: FYANG05		2020/12/16		2178040001	
				APPR: RLI09		2022/04/14		PSD 000 A	
DRAFT WHERE APPLICABLE MUST REMAIN WITHIN DIMENSIONS				THIRD ANGLE PROJECTION		DRAWING		SERIES	
						A3-SIZE		217804	
				MATERIAL NUMBER		CUSTOMER		SHEET NUMBER	
				2178040001		GENERAL MARKET		4 OF 4	