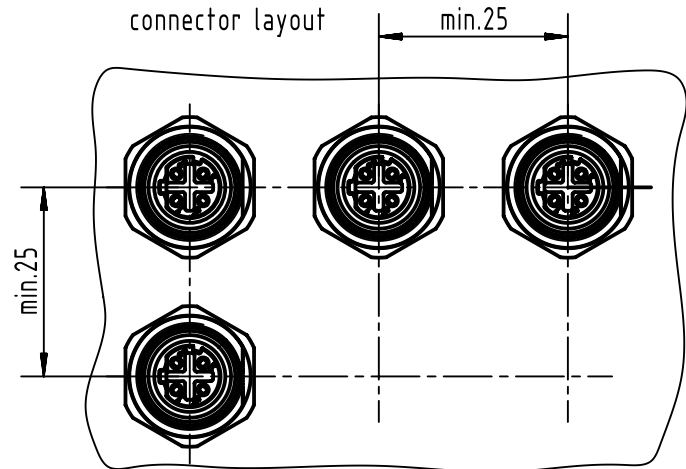
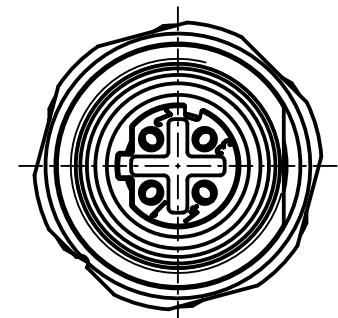
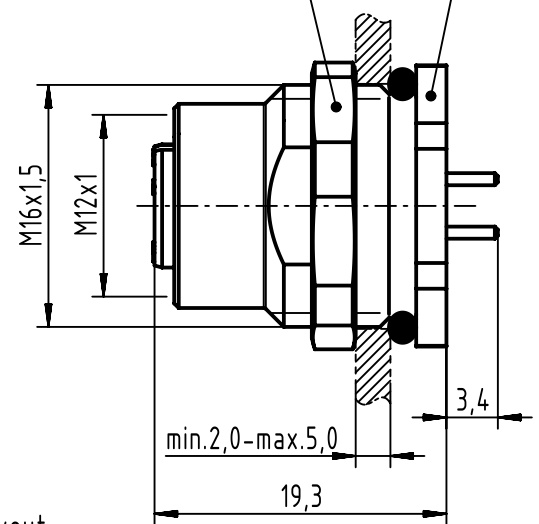


connector layout

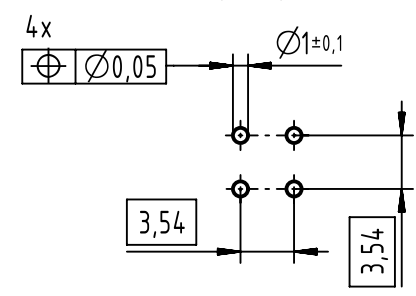


SW18

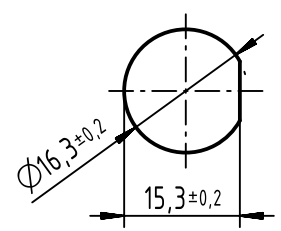
SW17



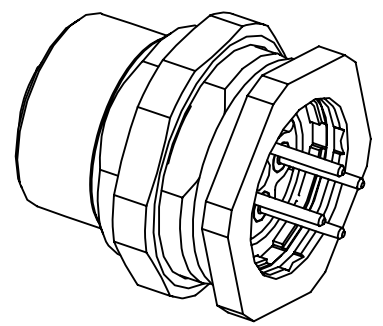
PCB layout
(2:1)



panel cut out
(1:1)



recommended PCB thickness: 1,6mm



	All rights reserved Department EL PD	All Dimensions in mm Original Size DIN A4		Scale 2:1	Free size tol.		Ref.
		HARTING Electronics GmbH D-32339 Espelkamp	Created by DYCKC	Inspected by HARLASS	Standardisation KOHLER	Date 2018-12-18	State Final Release
				Title HARTING M12-F PFT 4-pole			Doc-Key / ECM-Nr. 100211306/UGD/004/D 50000014.0678
				Type TB	Number 21033712415		Rev. D
						Page 1/1	