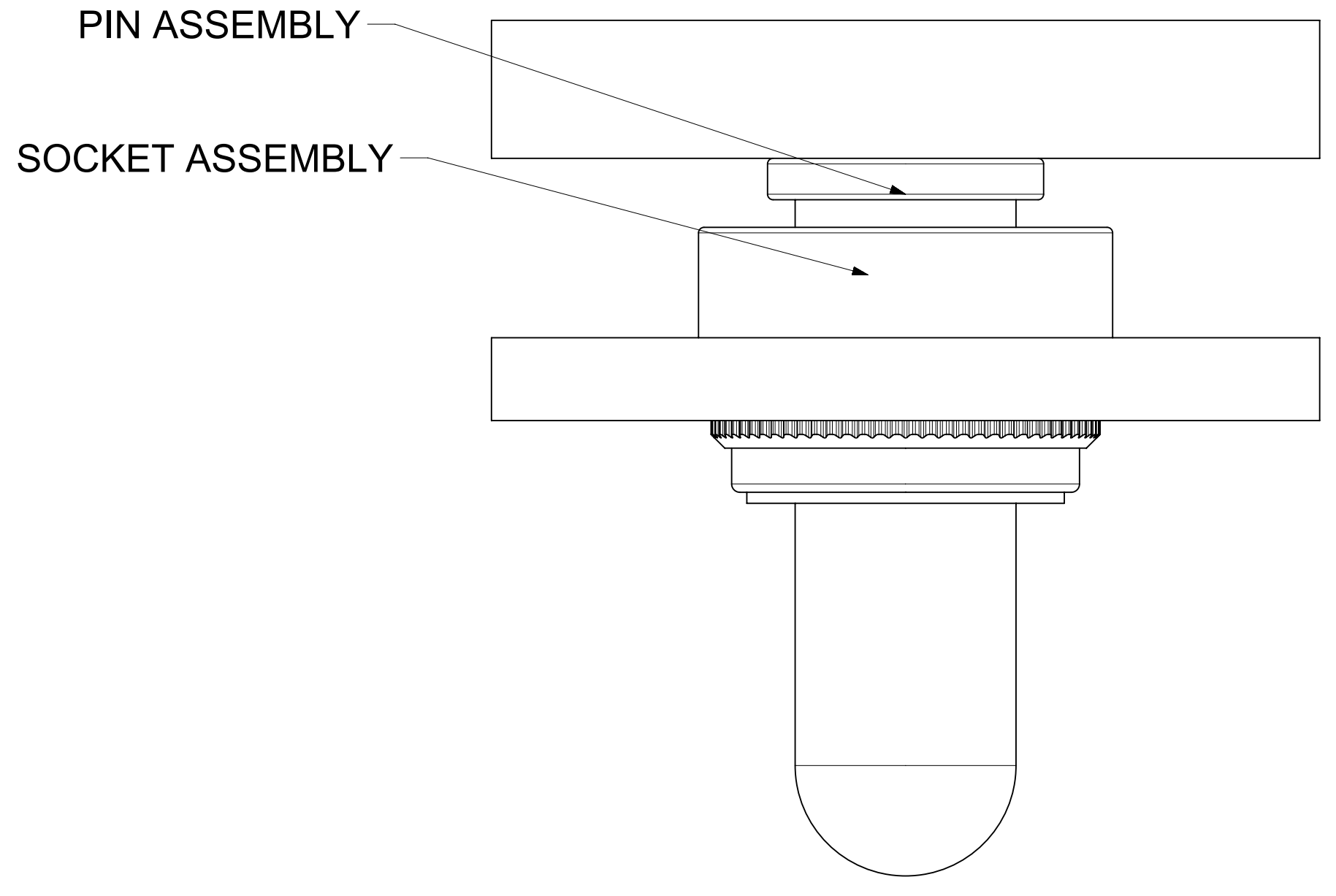


SECTION A-A



MATING PROFILE

NOTES:

1. MATERIALS:
 BASE METAL: HIGH CONDUCTIVE COPPER ALLOY
 PLATING ON CONTACTS: 0.75 MICRON MIN GOLD OVER 1.27 MICRON MIN NICKEL
 PLATING ON BODY: 3.18 MICRON MIN SILVER OVER 1.27 MICRON MIN NICKEL
2. MATES WITH STANDARD PIN DRAWINGS:
 - i. 8.0MM SMT DRAWING 2032633080-SD, MIN. MATING DISTANCE 6.15MM
 - ii. 8.0MM PRESS FIT DRAWING 2032630001-SD, MIN. MATING DISTANCE 6.5MM
 - iii. 8.0MM SCREW MOUNT DRAWING 2032634185-SD, MIN. MATING DISTANCE 9.5MM
3. PRODUCT SPECIFICATION: 2043130001-PS
4. APPLICATION SPECIFICATION: 2043130001-AS
5. PACKAGING SPECIFICATION: 2043180001-PK.
6. SILVER COMPONENTS WILL BE SUPPLIED TARNISH FREE BUT MAY TARNISH OVER TIME.

THIS DRAWING CONTAINS INFORMATION THAT IS PROPRIETARY TO MOLEX ELECTRONIC TECHNOLOGIES, LLC AND SHOULD NOT BE USED WITHOUT WRITTEN PERMISSION																		
DIMENSION UNITS	SCALE	CURRENT REV DESC: PK SPEC UPDATED																
mm	NTS	molex																
GENERAL TOLERANCES (UNLESS SPECIFIED)		8.0MM CST STANDARD (PRESS FIT)																
ANGULAR TOL	± 0.5°	PRODUCT CUSTOMER DRAWING																
4 PLACES	±	EC NO: 620437							DOCUMENT NUMBER	DOC TYPE	DOC PART	REVISION						
3 PLACES	±	DRWN: ANESSER	2018/07/03		<table border="1" style="width: 100%; border-collapse: collapse;"> <tr> <td colspan="4" style="text-align: center;">2043160001-SD</td> </tr> <tr> <td>PSD</td> <td>000</td> <td colspan="2" style="text-align: center;">A1</td> </tr> </table>						2043160001-SD				PSD	000	A1	
2043160001-SD																		
PSD	000	A1																
2 PLACES	± 0.15	CHK'D: BPISZCZOR	2019/07/23															
1 PLACE	± 0.25	APPR: BPISZCZOR	2019/07/23															
0 PLACES	±	INITIAL REVISION:																
DRAFT WHERE APPLICABLE MUST REMAIN WITHIN DIMENSIONS		DRWN: TOMLU	2017/03/10		SERIES		MATERIAL NUMBER		CUSTOMER		SHEET NUMBER							
		APPR: JJONIAK	2018/06/14		D-SIZE		204316		GENERAL MARKET		1 OF 1							