

Fuse holder - SI-H-FKS 15 - 1728996

Please be informed that the data shown in this PDF Document is generated from our Online Catalog. Please find the complete data in the user's documentation. Our General Terms of Use for Downloads are valid (<http://phoenixcontact.com/download>)




Printed circuit fuse carrier, for 5 mm wide automotive flat-type fuses up to max. 15 A

Your advantages

- Fuse holder for flat-type fuses with a maximum nominal voltage of 32 V

Key Commercial Data

Packing unit	50 pc
GTIN	 4 017918 025878
GTIN	4017918025878

Technical data

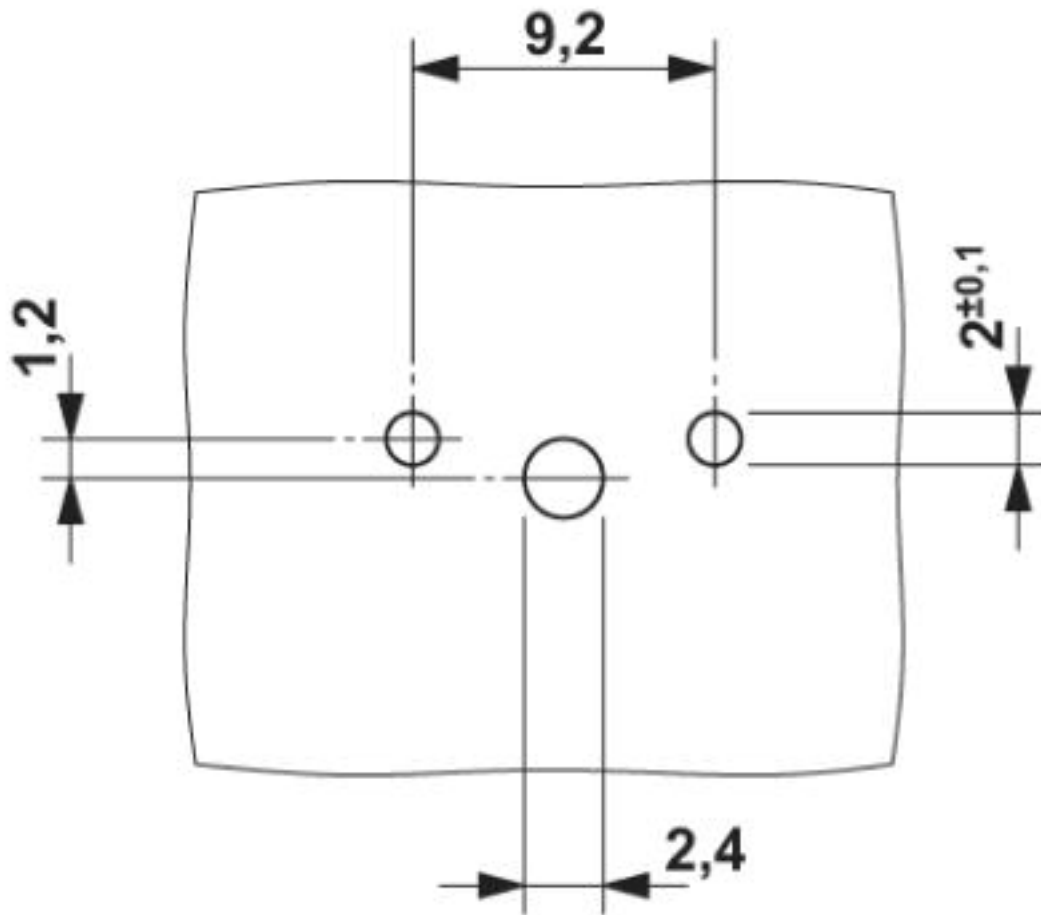
Environmental Product Compliance

China RoHS	Environmentally friendly use period: unlimited = EFUP-e
	No hazardous substances above threshold values

Drawings

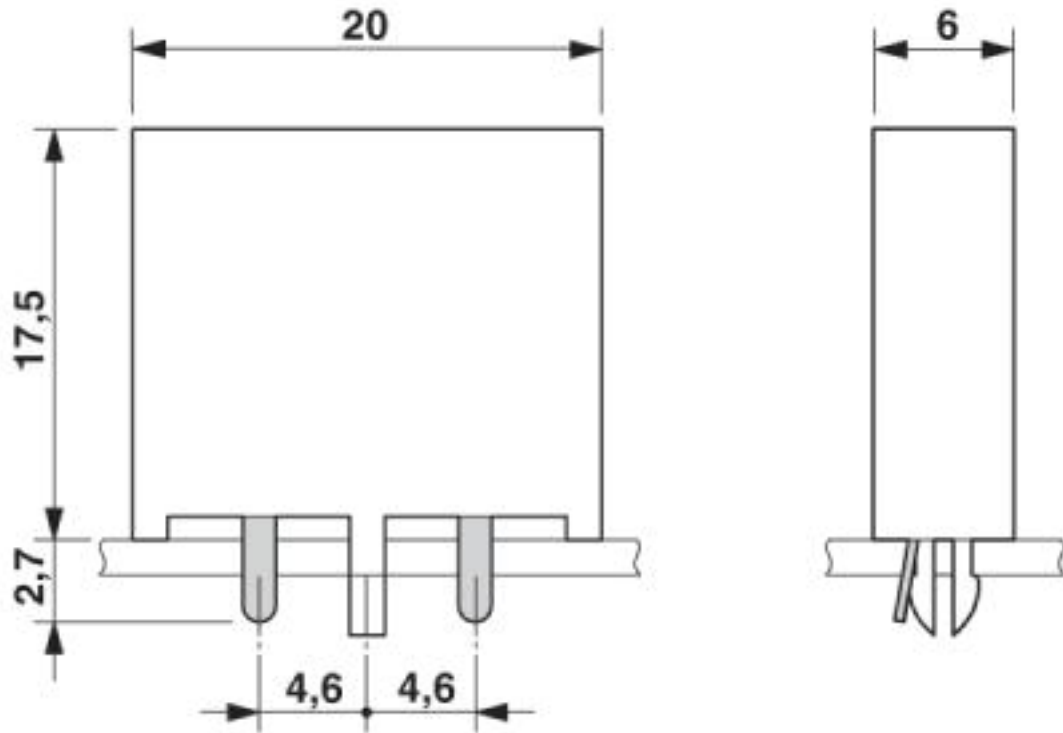
Fuse holder - SI-H-FKS 15 - 1728996

Drilling diagram



Fuse holder - SI-H-FKS 15 - 1728996

Dimensional drawing



Approvals

Approvals

Approvals

CSA / UL Recognized / EAC

Ex Approvals

Approval details


CSA		http://www.csagroup.org/services-industries/product-listing/	103883
-----	--	---	--------

UL Recognized		http://database.ul.com/cgi-bin/XYV/template/LISEXT/1FRAME/index.htm	FILE E 60425
	B	C	
Nominal voltage UN	32 V	300 V	

Fuse holder - SI-H-FKS 15 - 1728996

Approvals

	B	C
Nominal current I _N	15 A	15 A

EAC		B.01742
-----	---	---------

Phoenix Contact 2019 © - all rights reserved
<http://www.phoenixcontact.com>

PHOENIX CONTACT GmbH & Co. KG
Flachsmarktstr. 8
32825 Blomberg
Germany
Tel. +49 5235 300
Fax +49 5235 3 41200
<http://www.phoenixcontact.com>