

D-SUB crimp contact - CUC-DSC-C1BAU-S/DSC22 - 1418789

Please be informed that the data shown in this PDF Document is generated from our Online Catalog. Please find the complete data in the user's documentation. Our General Terms of Use for Downloads are valid (<http://phoenixcontact.com/download>)



D-SUB crimp contact, connection method: Crimp connection, connection cross section: AWG 28- 22, High Density


Product Description

High-density contact for D-SUB contact inserts

Your advantages

- Various connection methods for every application
- High grade
- Turned contact

Key Commercial Data

Packing unit	100 pc
GTIN	 4 055626 150765
GTIN	4055626150765

Technical data

Mechanical characteristics

Insertion/withdrawal cycles	≥ 200
Connection method	Crimp connection
Type of contact	Pin
Conductor cross section	0.08 mm ² ... 0.34 mm ²
Connection cross section AWG	28 ... 22
Mounting type	Crimp connection
Contact type	turned

Ambient conditions

Ambient temperature (operation)	-55 °C ... 115 °C
---------------------------------	-------------------

Material data

D-SUB crimp contact - CUC-DSC-C1BAU-S/DSC22 - 1418789

Technical data

Material data

Contact material	Copper alloy
Contact surface material	0.2 µm, gold over nickel
Height	1.2 mm

Electrical characteristics

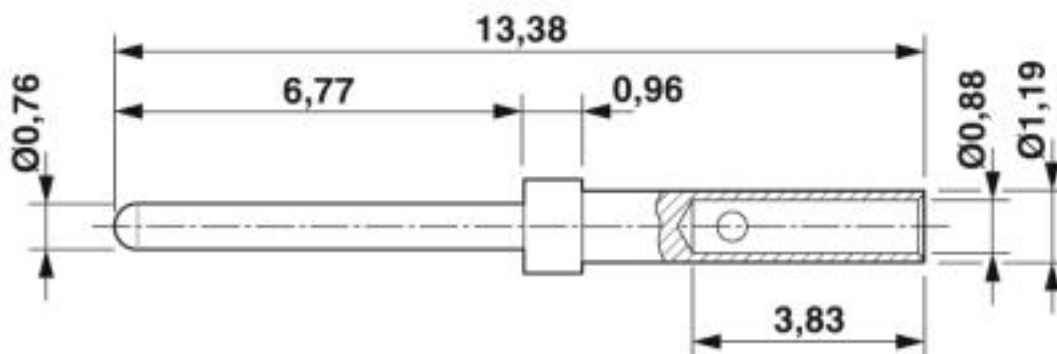
Rated current	3 A
---------------	-----

Environmental Product Compliance

China RoHS	Environmentally friendly use period: unlimited = EFUP-e
	No hazardous substances above threshold values

Drawings

Dimensional drawing



D-SUB crimp contact pin

Approvals

Approvals

Approvals

EAC

Ex Approvals

Approval details

EAC		B.01742
-----	--	---------

Phoenix Contact 2019 © - all rights reserved
<http://www.phoenixcontact.com>

PHOENIX CONTACT GmbH & Co. KG
Flachmarktstr. 8
32825 Blomberg
Germany
Tel. +49 5235 300
Fax +49 5235 3 41200
<http://www.phoenixcontact.com>