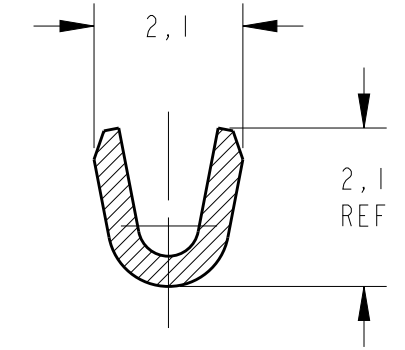
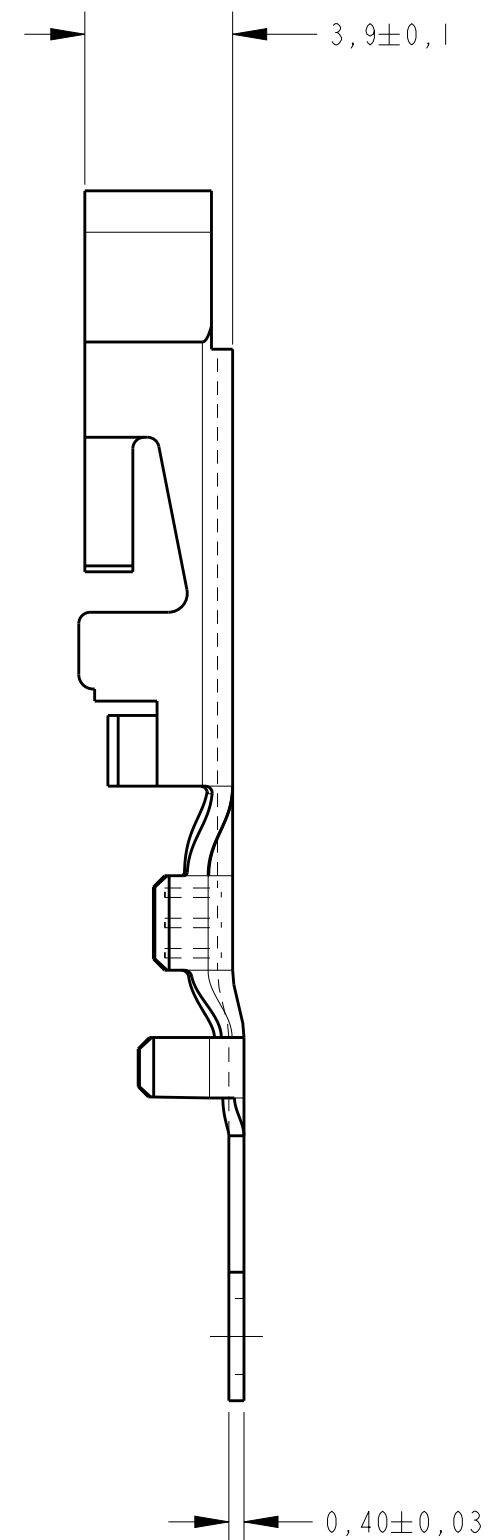
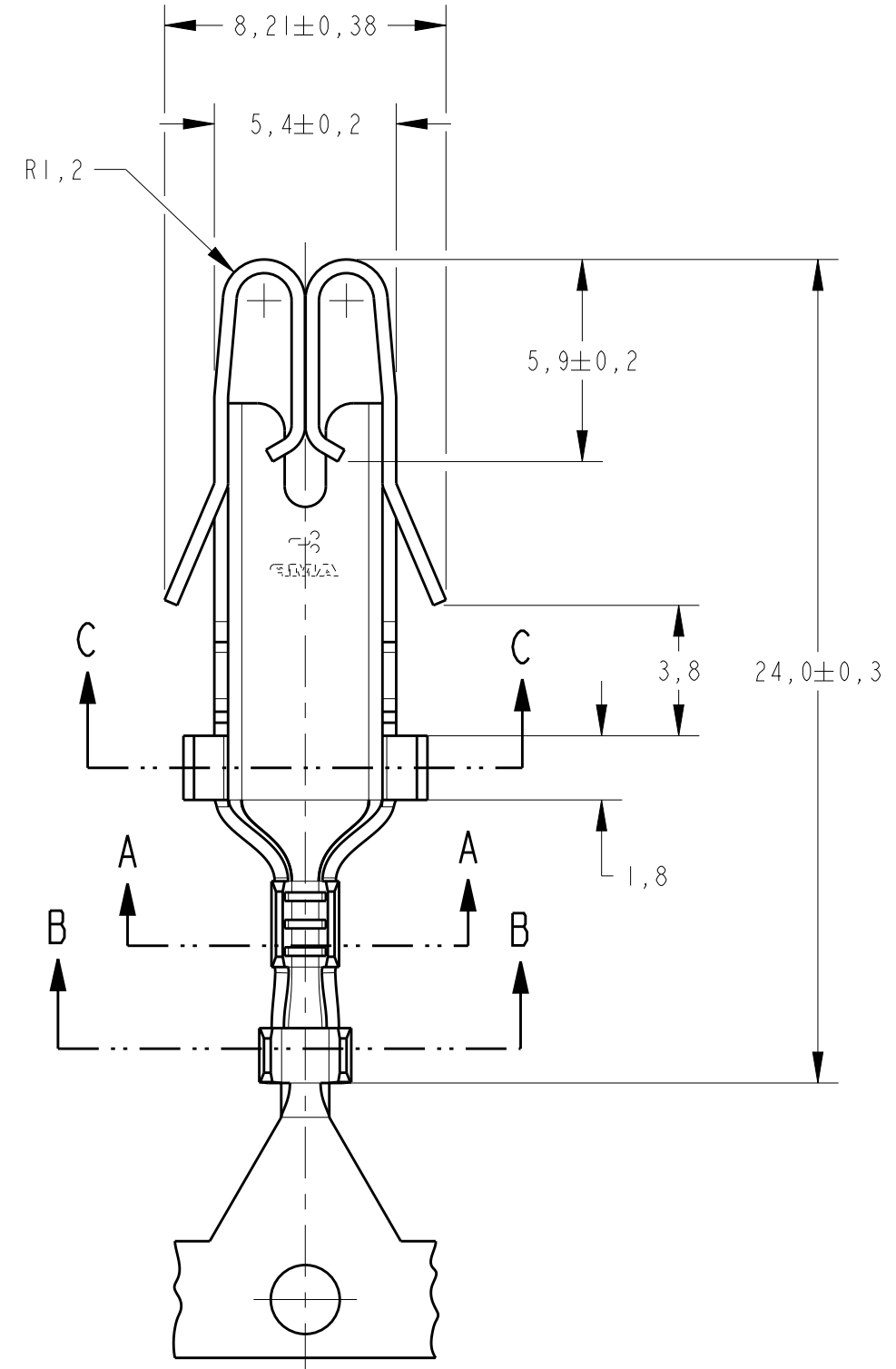


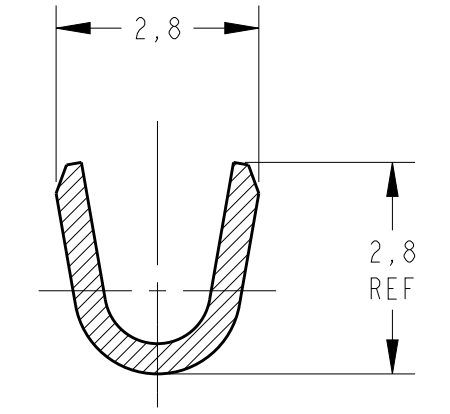
THIS DRAWING IS UNPUBLISHED. RELEASED FOR PUBLICATION 20
 © COPYRIGHT 20 BY - ALL RIGHTS RESERVED.

creo
 Creo Parametric 2.0
 DO NOT REVISE
 EXCEPT BY CAD

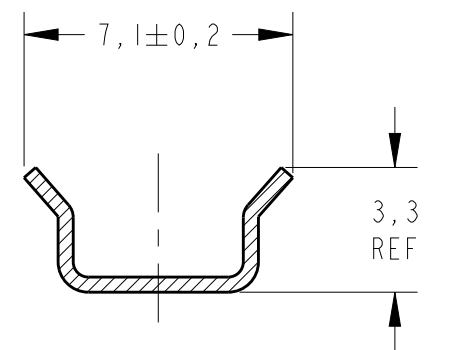
REVISIONS					
P	LTR	DESCRIPTION	DATE	DWN	APVD
B		REDRAW BY CAD ECO-14-013531	05SEP2014	NCL	LWP



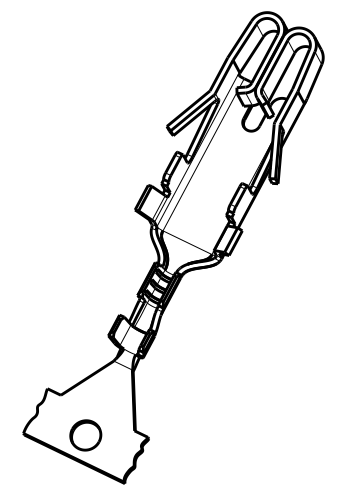
SECTION A-A
 SCALE 10:1



SECTION B-B
 SCALE 10:1



SECTION C-C



PERSPECTIVE VIEW
 SCALE 2:1

WIRE RANGE 0,2-0,35mm ²	PRE-ESTANHADO / PRE TINNED —	LATÃO / BRASS	880397-2
INSUL RANGE ∅1,15-1,6mm	FINISH	LATÃO / BRASS	880397-1
THIS DRAWING IS A CONTROLLED DOCUMENT.		MATERIAL	
DWN: NCLAPRESA 05SEP2014 CHK: ECHRISTIANO 05SEP2014 APVD: LWPRADO 05SEP2014		PART NUMBER	
DIMENSIONS: mm		NAME	
TOLERANCES UNLESS OTHERWISE SPECIFIED: 0 PLC ± 1 PLC ±0,5 2 PLC ± 3 PLC ± 4 PLC ± ANGLES ±°		TE Connectivity	
MATERIAL: SEE TABLE		FUSE CONTACT	
FINISH: SEE TABLE		SIZE: A2	
Customer Drawing		CAGE CODE: 00779	
		DRAWING NO: C-1380317	
		RESTRICTED TO: -	
		SCALE: 2:1	
		SHEET: 5:1 OF 1	
		REV: B	