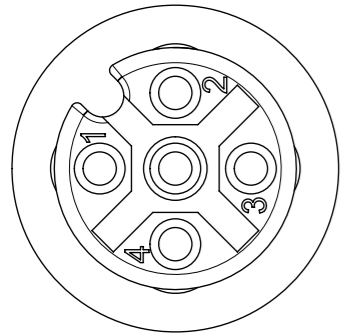


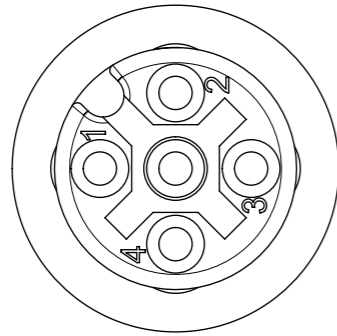
M12 4 POLE FEMALE



VIEW FROM THE FRONT SIDE

Pin	Kolor przewodu	
1	BROWN	BN
2	WHITE	WH
3	BLUE	BU
4	BLACK	BK

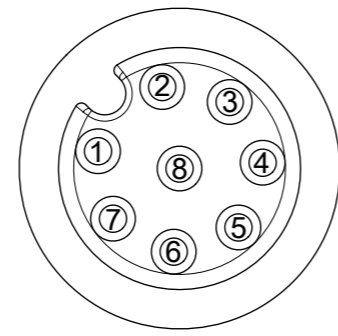
M12 5 POLE FEMALE



VIEW FROM THE FRONT SIDE

Pin	Kolor przewodu	
1	BROWN	BN
2	WHITE	WH
3	BLUE	BU
4	BLACK	BK
5	GREY	GY

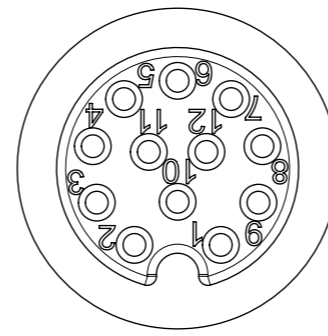
M12 8 POLE FEMALE



VIEW FROM THE FRONT SIDE

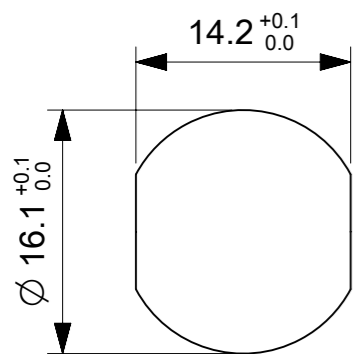
Pin	Kolor przewodu	
1	WHITE	WH
2	BROWN	BN
3	GREEN	GN
4	YELLOW	YE
5	GREY	GY
6	PINK	PK
7	BLUE	BU
8	RED	RD

M12 12 POLE FEMALE

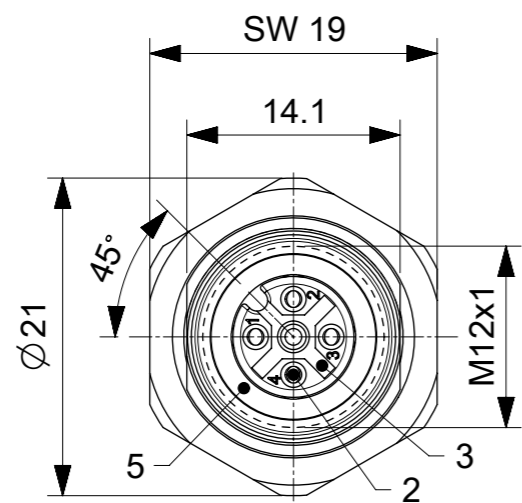


VIEW FROM THE FRONT SIDE

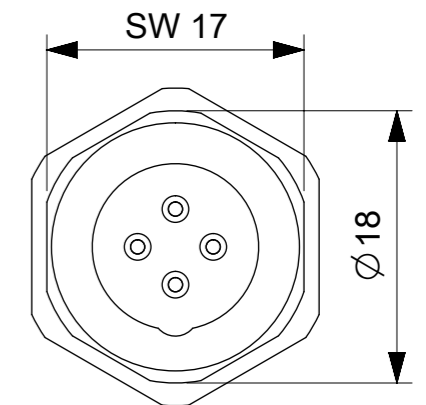
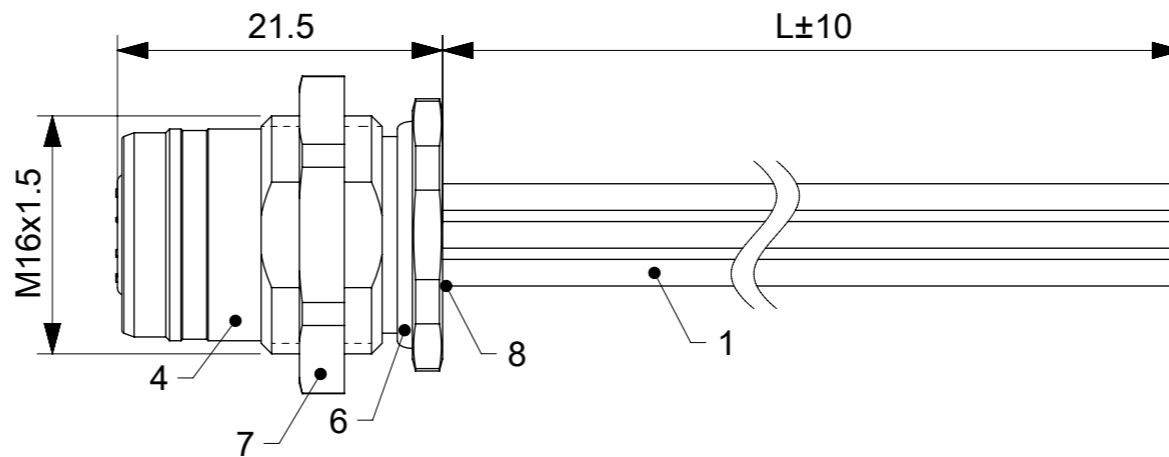
Pin	Kolor przewodu	
1	WHITE	WH
2	BROWN	BN
3	GREEN	GN
4	YELLOW	YE
5	GREY	GY
6	PINK	PK
7	BLUE	BU
8	RED	RD
9	BLACK	BK
10	VIOLET	VT
11	GREY/PINK	GY/PK
12	RED/BLUE	RD/BU



PANEL CUT OUT



VIEW FROM THE FRONT SIDE



VIEW FROM THE WIRES SIDE

BILL OF MATERIALS

ITEM	QTY.	DESCRIPTION	MATERIAL	FINISH
8	-	POTTING MATERIAL	WEVO	-
7	1	LOCKNUT M16x1.5	BRASS	Ni
6	1	O-RING BK	NBR	-
5	1	GASKET RD	FPM	-
4	1	SHELL M12x1 M16x1.5	BRASS/STAINLESS STEEL	Ni/-
3	1	INSERT 4/5/8/12P FE AC	ELASTOLLAN	-
2	4/5/8/12	CONTACT FEMALE	BRASS	AU
1	-	WIRE 20/22/24/26 AWG UL1569	PVC	-
ITEM	QTY.	DESCRIPTION	MATERIAL	FINISH

THIS DRAWING CONTAINS INFORMATION THAT IS PROPRIETARY TO MOLEX ELECTRONIC TECHNOLOGIES, LLC AND SHOULD NOT BE USED WITHOUT WRITTEN PERMISSION									
DIMENSION UNITS	SCALE	CURRENT REV DESC: OBSOLETE PART NUMBERS AS PER PCN#506884							
mm	2:1								
GENERAL TOLERANCES (UNLESS SPECIFIED)									
ANGULAR TOL	± 1.0 °	REC M12 XP AC FE PVC XM M16 BM PRODUCT CUSTOMER DRAWING							
4 PLACES	±	EC NO: 662770	2021/03/02	DOCUMENT NUMBER					
3 PLACES	±	DRWN: SUGEEB	2021/06/02	1200848135					
2 PLACES	± 0.05	CHK'D: GGA	2021/06/02	PSD 000 A5					
1 PLACE	± 0.3	APPR: GGA	2021/06/02	SHEET NUMBER					
0 PLACES	± 0.5	INITIAL REVISION:	2016/09/27	SEE SHEET 2					
DRAFT WHERE APPLICABLE MUST REMAIN WITHIN DIMENSIONS		DRWN: KKALICIAK	2016/10/25	GENERAL MARKET					
THIRD ANGLE PROJECTION		APPR: MIWASIECZKO	2016/10/25	1 OF 2					
DRAWING		SERIES	MATERIAL NUMBER	CUSTOMER			SHEET NUMBER		
A3-SIZE		120084	SEE SHEET 2	GENERAL MARKET			1 OF 2		

ENGINEERING No. - NUMERICAL CODE (Available parts see PART LIST table. Others parts available upon request)

W R X U 4 0 X X X X X X X X

OPTIONS

WR = U12 REC

Poles:
4 = 4 Poles
5 = 5 Poles
8 = 8 Poles
C = 12 Poles

Shell Type

Wires
E01 = 26AWG PVC
E02 = 24AWG PVC
E03 = 22AWG PVC
E04 = 20AWG PVC


Units:
M = Meters
C = Centimeters

Length
Examples:
005 = 0.5 unit
010 = 1 unit
100 = 10 units

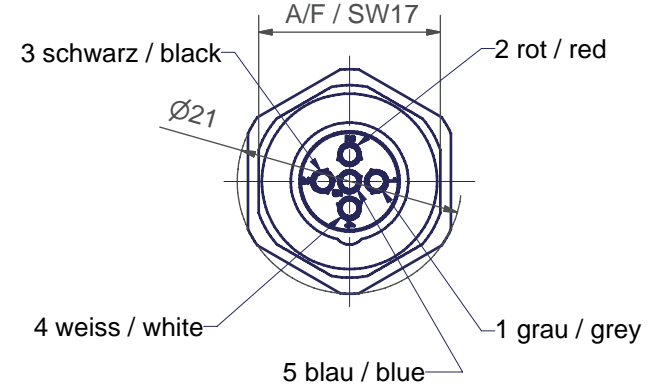
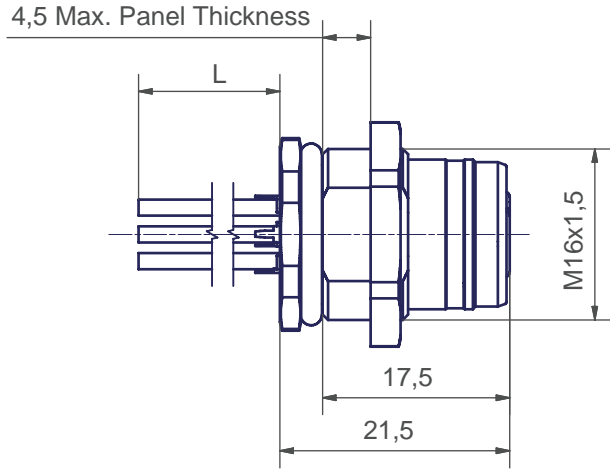
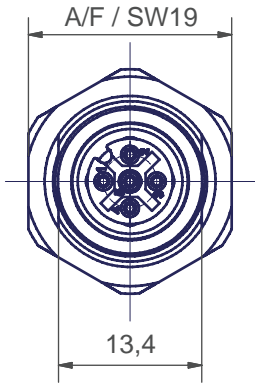
Shell Material
blank, 3 = Brass
8 = Stainless Steel

PART LIST

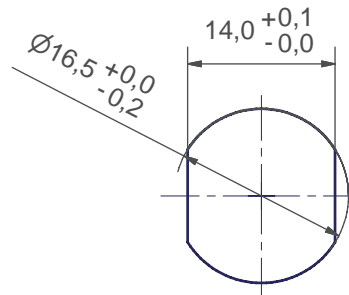
Molex PN	Engineering No.	L [mm]
1200848135	WR4U40E04C3003	300
1200845097	WR8U40E02C300	300
1200848069	WR8U40E02C500	500
1200848059	WR8U40E02M010	1000
1200845016	WRCU40E01C200	200
1200845017	WRCU40E01C300	300
1200848058	WRCU40E01M010	1000
1200845038	WR4U40E03C3003	300
1200845160	WR5U40E03C3003	300
1200848180	WR5U40E03M0103	1000
1200848192	WR5U40E03C300	300
1200848219	WR4U40E03C650	650

THIS DRAWING CONTAINS INFORMATION THAT IS PROPRIETARY TO MOLEX ELECTRONIC TECHNOLOGIES, LLC AND SHOULD NOT BE USED WITHOUT WRITTEN PERMISSION									
DIMENSION UNITS	SCALE	CURRENT REV DESC: OBSOLETE PART NUMBERS AS PER PCN#506884							
mm	1:1	 REC M12 XP AC FE PVC XM M16 BM PRODUCT CUSTOMER DRAWING							
GENERAL TOLERANCES (UNLESS SPECIFIED)									
ANGULAR TOL	± 1.0 °	EC NO: 662770	2021/03/02		DOCUMENT NUMBER				
4 PLACES	±	DRWN: SUGEEB	2021/06/02		1200848135		DOC TYPE	DOC PART	REVISION
3 PLACES	±	CHK'D: GGA	2021/06/02		PSD		000	A5	
2 PLACES	± 0.05	APPR: GGA	2021/06/02		SERIES		SHEET NUMBER		
1 PLACE	± 0.3	INITIAL REVISION:		2016/09/27		MATERIAL NUMBER		CUSTOMER	
0 PLACES	± 0.5	DRWN: KKALICIAK		2016/10/25		SEE PART LIST		GENERAL MARKET	
DRAFT WHERE APPLICABLE MUST REMAIN WITHIN DIMENSIONS		THIRD ANGLE PROJECTION	DRAWING	A3-SIZE	120084	CUSTOMER		2 OF 2	

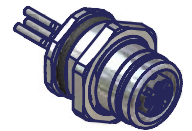
Material No.	Engineering No.	L
1200845038	WR4U40E03C3003	0,3m
1200845160	WR5U40E03C3003	0,3m



Allgemeine Kennwerte General Characteristics		Norm Standard		
Polzahl	Number of contacts		5	
Kontaktanordnung	Contact configuration	IEC 947-5-2		
Bemessungsspannung	Rated Voltage	IEC 664	60V AC / DC	
Verschmutzungsgrad	Pollution Degree	IEC 664	3	
Betriebsstrom	Current carrying capacity	IEC 512-3 Test 5 b	4A	
Durchgangswiderstand	Contact Resistance	IEC 512-2 Test 2 A	< 5m Ω	
Bemessungsstoßspannung	Rated Impulse Withstand Voltage	IEC 664	2kV	
Prüfspannung	Test Voltage	IEC 60512-2 Test 4 A	1 kV / 60 sec	
Isolationswiderstand	Insulation Resistance	IEC 512-2 Test 3 A	< 10 G Ω	
IP - Schutzart	IP Degree Of Protection	IEC 529	IP 67	
Stift Durchmesser	Pin Diameter		1,0mm	
Werkstoffe	Kontakte	Materials	Kontakte	Kupferlegierung / copper alloy
	Kontaktoberfläche		Kontakte Plating	Au/Ni
	Kontaktträger		Dielectric Material	PA 6.6
	Dichtung (O-Ring)		Gaskets (O-Ring)	NBR
	Gehäuse		Housing	CuZn (brass) mit Ni-Oberfläche Nickel Plated
Anschlußart	Termination		Crimp	
Brennbarkeit	Kontaktträger	Flammfähigkeit	Inserts	UL 94
	Leitung / Kabel		Cable	VDE 0472 / 804
Mechanische Lebensdauer	Mechanical Operation		500 Steckzyklen / Mating Cycles	
Temperaturbereich	Temperature Range	IEC 60668-1	-25°C / +90°C	



(1:1)



EC NO.: WEU2010-0369	DRWN: NS	16.02.10	QUALITY SYMBOLS	GENERAL TOLERANCES (UNLESS SPECIFIED)	DIMENSION STYLE		SCALE	DESIGN UNITS	FIRST ANGLE PROJECTION
	CHKD: FP	18.02.10			MM ONLY		2:1	METRIC	
APP: FP	18.02.10		DESCRIPTION	4 PLACES ±---	mm	DATE	M12U 4/5P Fem Rec Back Mount M16x1,5 - Spec. Wiring SPR 080082		
				3 PLACES ±---	INCH	18.06.2008			
				2 PLACES ±0,05 ±---		CHECKED BY	MOLEX INCORPORATED		
				1 PLACE ±0,10 ±---		DATE			
				ANGULAR ± 1/2 °		20.08.2008	SD-120084-004		
				DRAFT WHERE APPLICABLE MUST REMAIN WITHIN DIMENSIONS			SHEET NO. 1 OF 1		
					SIZE A3	THIS DRAWING CONTAINS INFORMATION THAT IS PROPRIETARY TO MOLEX INCORPORATED AND SHOULD NOT BE USED WITHOUT WRITTEN PERMISSION			