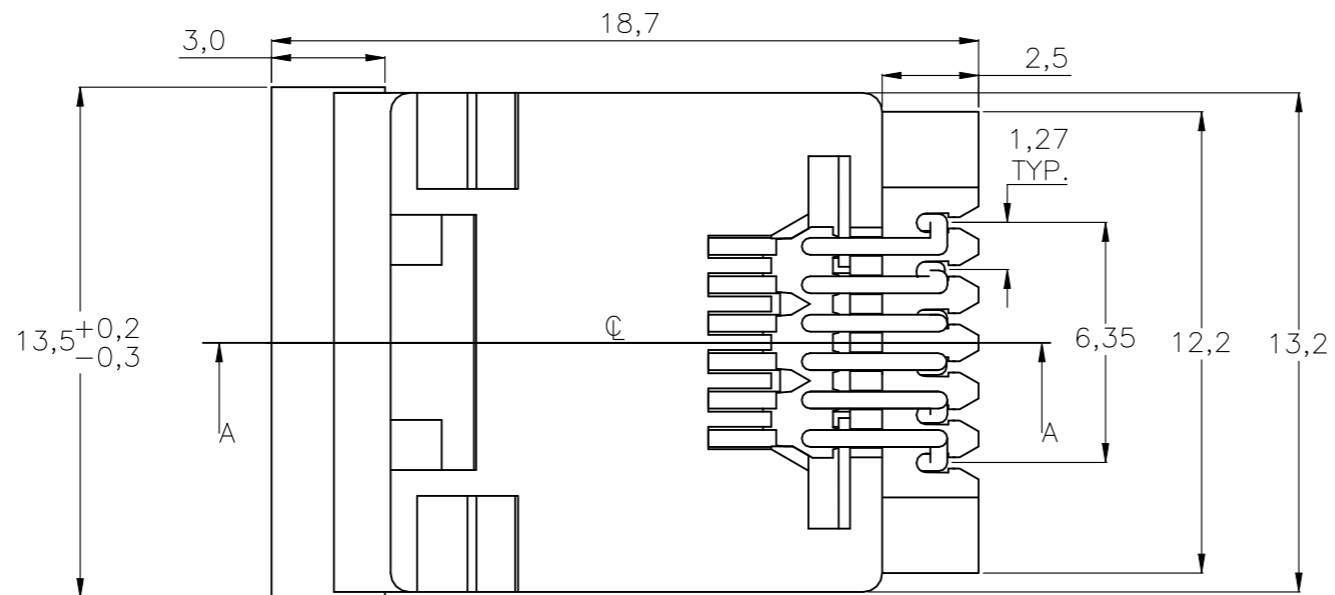
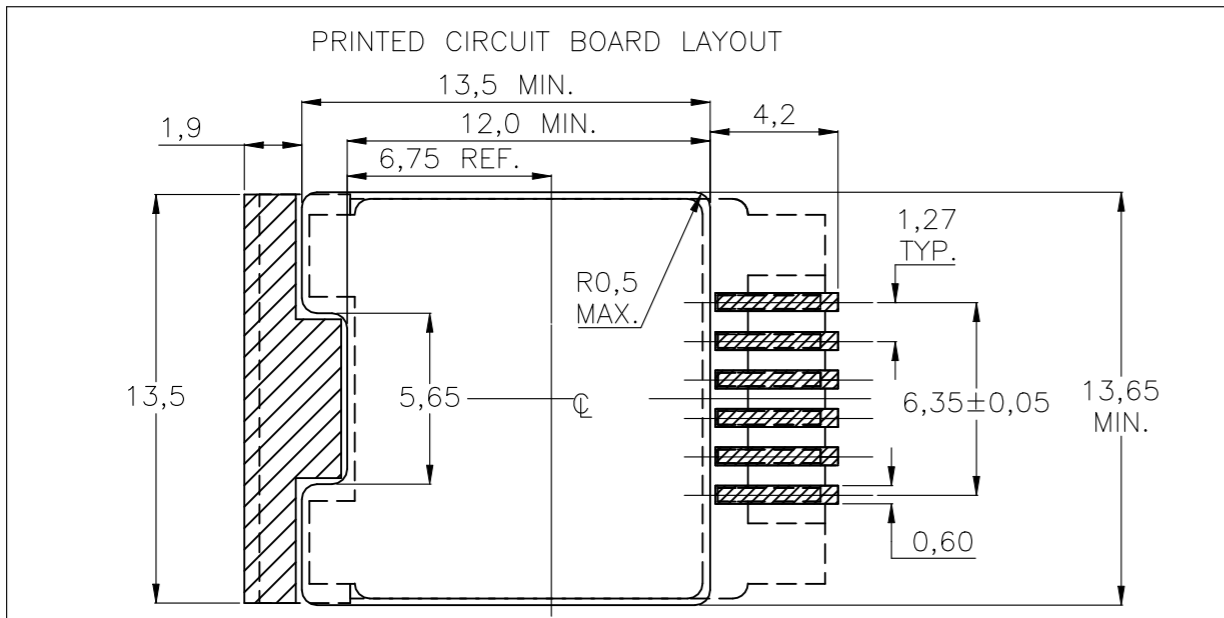
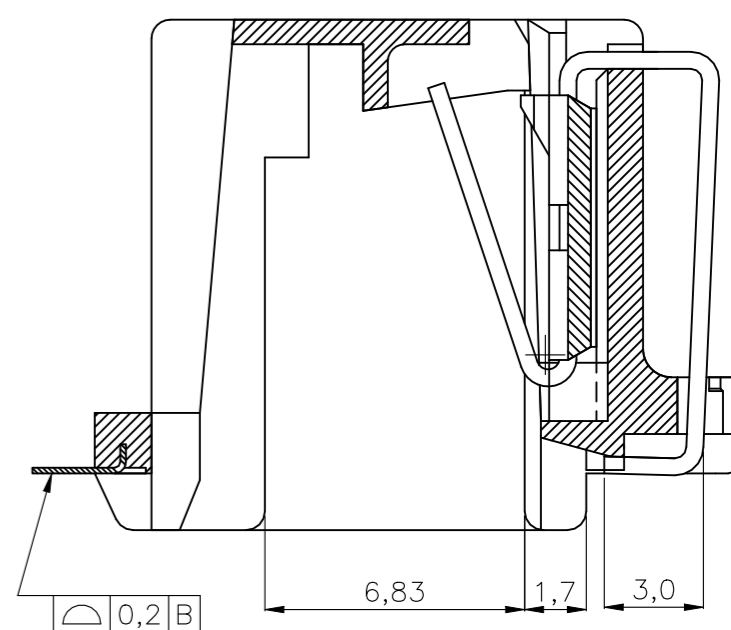
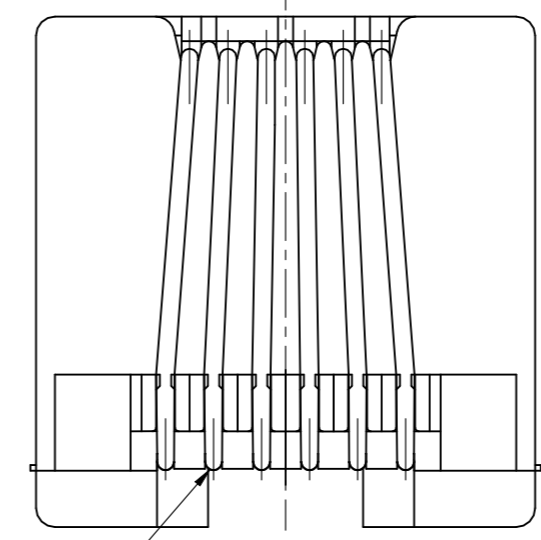
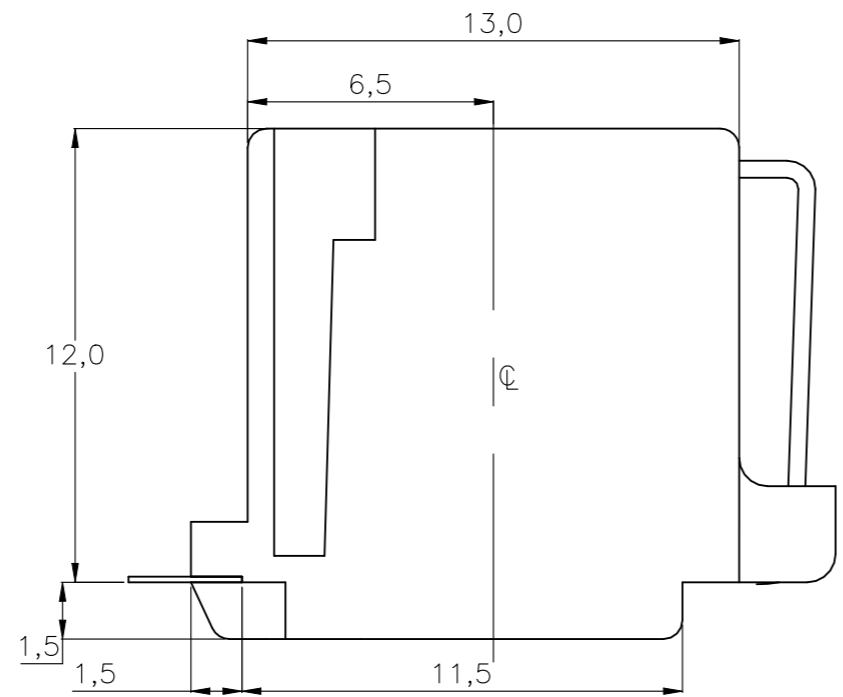
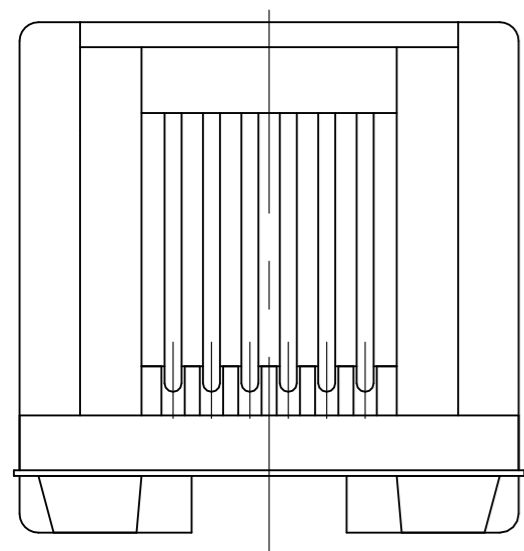


REVISIONS					
P	LTR	DESCRIPTION	DATE	DWN	APVD
	M2	REVISED AS PER ECN-22-180673	11NOV2022	AB	SZ
	M	ECR-06-013127	31-05-06	MO	-
	M1	ECR-08-012368	06-07-08	AEG	WRV

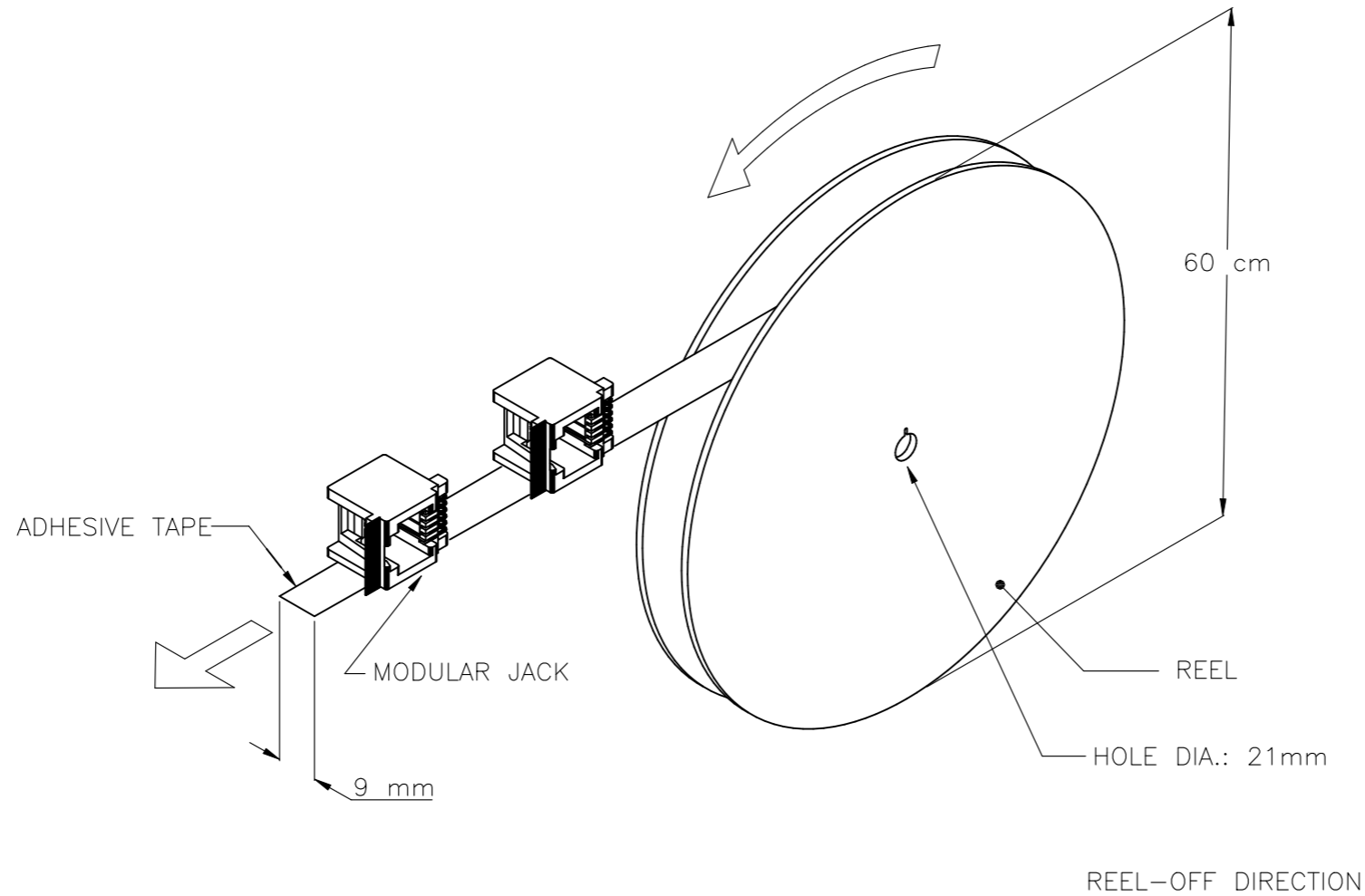


- NOTES:
1. TOLERANCES UNLESS OTHERWISE SPECIFIED: ± 0.15
 2. CONTACTS:
1.25 μ m MIN. GOLD OVER 1.25 μ m MIN. NICKEL IN CONTACT AREA.
2.0 μ m MIN. TIN OVER 1.25 μ m MIN. NICKEL ON SOLDER TINES.
 3. HOUSING:
30% G.F. PA 4.6, COLOR BLACK, UL 94V-0
CONTACTS:
PHOSPHOR BRONZE
ADDITIONAL SOLDERJOINT:
TIN PLATED BRASS
 4. MODULAR JACKS ARE DELIVERED TAPE MOUNTED ON REEL. SEE SHEET 2.
 5. PRODUCT SPECIFICATION: 108-19117.
APPLICATION SPECIFICATION: 114-19041.
 6. SOLDER PASTE THICKNESS 0,15mm (=0.006") MIN.



DESCRIPTION	FINISH	MATERIAL	PARTNUMBER
THIS DRAWING IS A CONTROLLED DOCUMENT.	2	3	SEE SHEET 2
DWN D.CAMPSCHROER 27JAN92			
CHK W. BRUMMANS			
APVD L. VAN SOEST			
PRODUCT SPEC			
APPLICATION SPEC			
WEIGHT			
MATERIAL SEE TABLE			
TOLERANCES UNLESS OTHERWISE SPECIFIED:			
0 PLC ± -			
1 PLC ± -			
2 PLC ± -			
3 PLC ± -			
4 PLC ± -			
ANGLES ± -			
FINISH			
SEE TABLE			
CUSTOMER DRAWING		SIZE A3	CAGE CODE 00779
		DRAWING NO C-100860	RESTRICTED TO
		SCALE NTS	SHEET 1 OF 4
			REV M2

REVISIONS					
P	LTR	DESCRIPTION	DATE	DWN	APVD
-	-	SEE SHEET 1	-	-	-

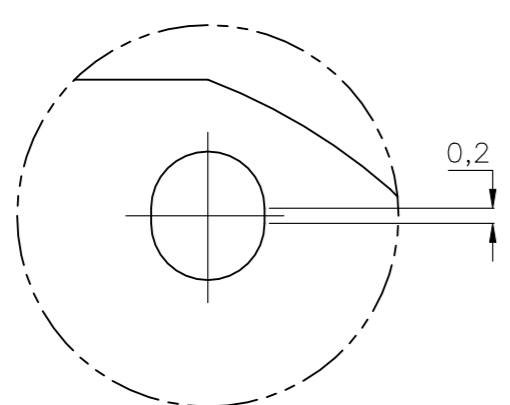
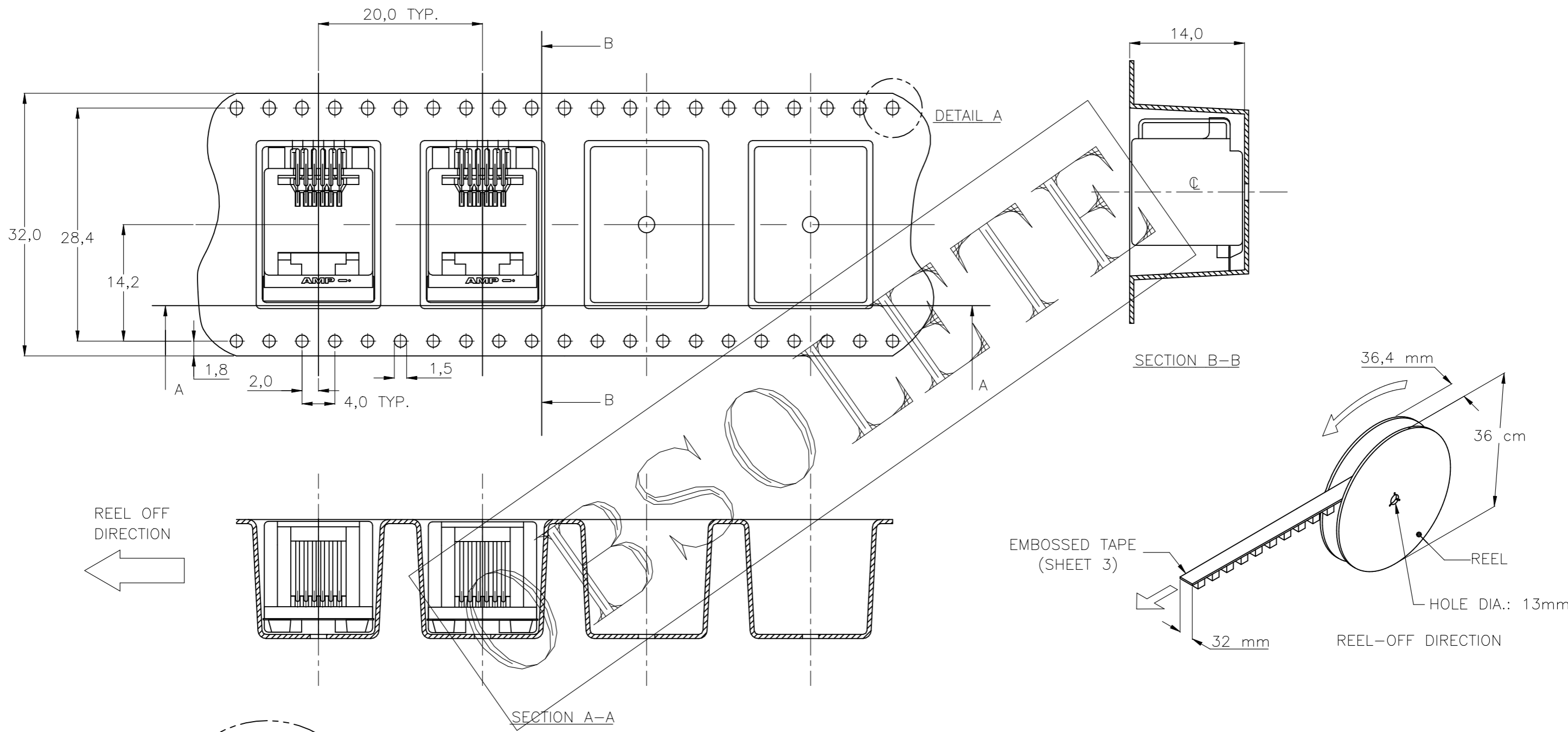


6 POS. / 6 CONTACTS	TAPE MOUNTED ON 60 cm. DIA. REEL (700 pcs/reel)	100860-1
DESCRIPTION	PACKAGING	PARTNUMBER

THIS DRAWING IS A CONTROLLED DOCUMENT.		DWN J. TUIN	06AUG93	STE TE Connectivity	
DIMENSIONS: mm		CHK W. BRUMMANS	APVD L. VAN SOEST		
TOLERANCES UNLESS OTHERWISE SPECIFIED:		PRODUCT SPEC		MODULAR JACK, 6 POSITION BOTTOM ENTRY FOR SURFACE MOUNT APPLICATION	
0 PLC ± -		APPLICATION SPEC			
1 PLC ± -		WEIGHT		SIZE	CAGE CODE
2 PLC ± -		-		A3	00779
3 PLC ± -		-		DRAWING NO	
4 PLC ± -		-		C-100860	
ANGLES ± -		-		RESTRICTED TO	
MATERIAL		FINISH		-	
-		-		CUSTOMER DRAWING	
		SCALE		SHEET	REV
		NTS		2 OF 4	M2

REVISIONS

P	LTR	DESCRIPTION	DATE	DWN	APVD
-	-	SEE SHEET 1	-	-	-

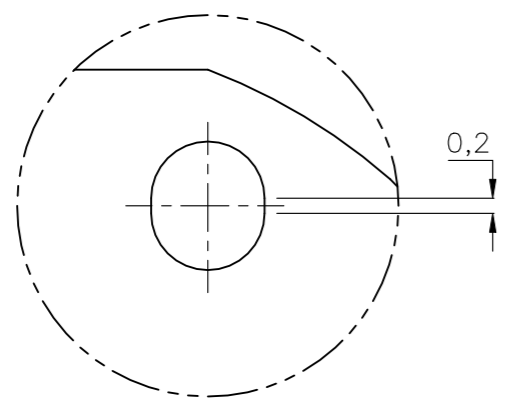
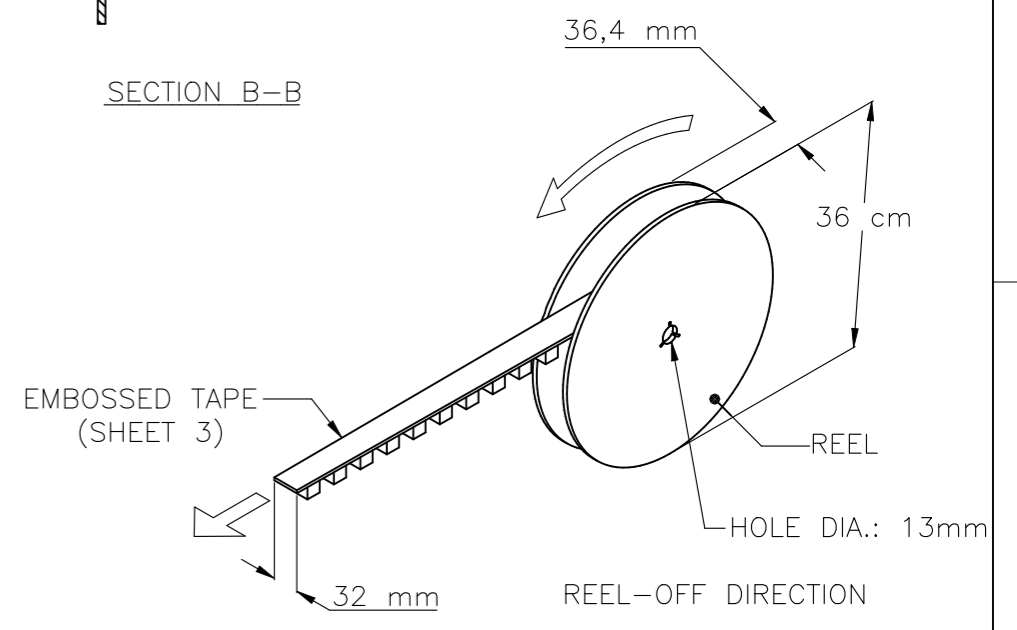
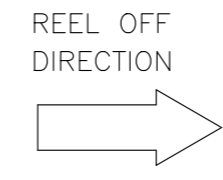
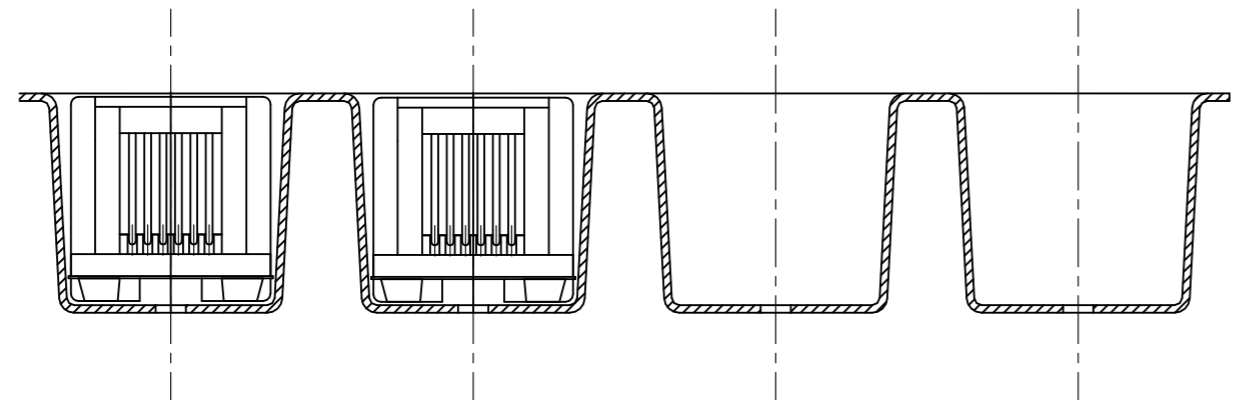
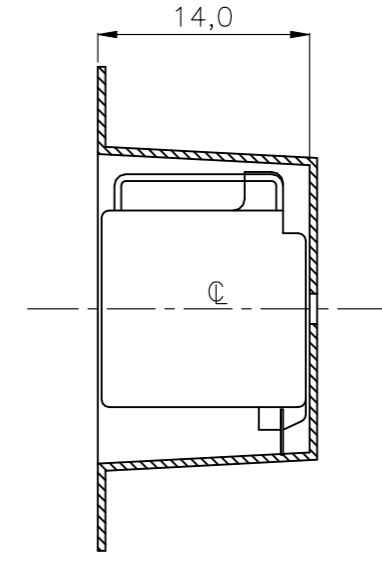
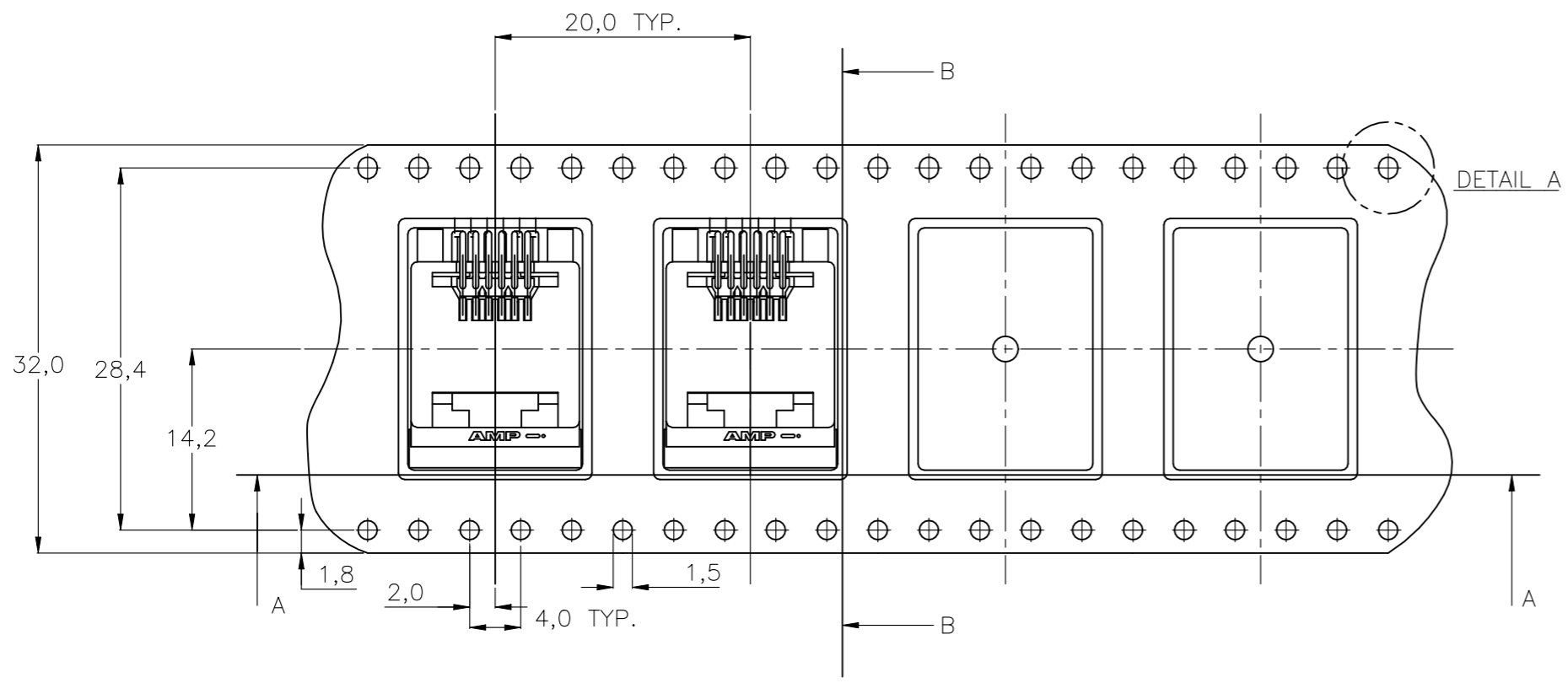


DETAIL A
SCALE 10:1

6 POS. / 6 CONTACTS	EMBOSSSED TAPE ACC. TD EIA 481-3 (36 cm. DIA. REEL)(300 pcs/reel)	2-100860-1
DESCRIPTION	PACKAGING	PARTNUMBER

THIS DRAWING IS A CONTROLLED DOCUMENT.		DWN E. V. EIJK 03DEC96	TE Connectivity													
DIMENSIONS: mm		CHK E. STELLINGA														
TOLERANCES UNLESS OTHERWISE SPECIFIED:		APVD R. SMEETS	NAME													
<table border="1"> <tr><td>0 PLC</td><td>± -</td></tr> <tr><td>1 PLC</td><td>± -</td></tr> <tr><td>2 PLC</td><td>± -</td></tr> <tr><td>3 PLC</td><td>± -</td></tr> <tr><td>4 PLC</td><td>± -</td></tr> <tr><td>ANGLES</td><td>± -</td></tr> </table>		0 PLC	± -	1 PLC	± -	2 PLC	± -	3 PLC	± -	4 PLC	± -	ANGLES	± -	PRODUCT SPEC	MODULAR JACK 6 POS. PACKAGING	
0 PLC	± -															
1 PLC	± -															
2 PLC	± -															
3 PLC	± -															
4 PLC	± -															
ANGLES	± -															
MATERIAL		APPLICATION SPEC	SIZE	CAGE CODE	DRAWING NO	RESTRICTED TO										
FINISH		WEIGHT	A3	00779	C-100860	-										
CUSTOMER DRAWING			SCALE	SHEET	REV											
			NTS	3 of 4	M2											

REVISIONS					
P	LTR	DESCRIPTION	DATE	DWN	APVD
-	-	SEE SHEET 1	-	-	-



DETAIL A
SCALE 10:1

OBSOLETE	6 POS. / 6 CONTACTS	EMBOSSSED TAPE ACC. TD EIA 481-3 (36 cm. DIA. REEL)(300 pcs/reel)	3-100860-1
DESCRIPTION		PACKAGING	PARTNUMBER

THIS DRAWING IS A CONTROLLED DOCUMENT.		DWN E. V. EIJK 03DEC96	STE TE Connectivity	
DIMENSIONS: mm		CHK E. STELLINGA		
TOLERANCES UNLESS OTHERWISE SPECIFIED:		APVD R. SMEETS	NAME MODULAR JACK 6 POS. PACKAGING	
0 PLC ± -		PRODUCT SPEC	SIZE	
1 PLC ± -		APPLICATION SPEC	CAGE CODE	
2 PLC ± -		WEIGHT	DRAWING NO	
3 PLC ± -		-	RESTRICTED TO	
4 PLC ± -			A3 00779 C-100860	
ANGLES ± -		CUSTOMER DRAWING		
FINISH		SCALE		SHEET
-		NTS		4 OF 4
		REV		M2