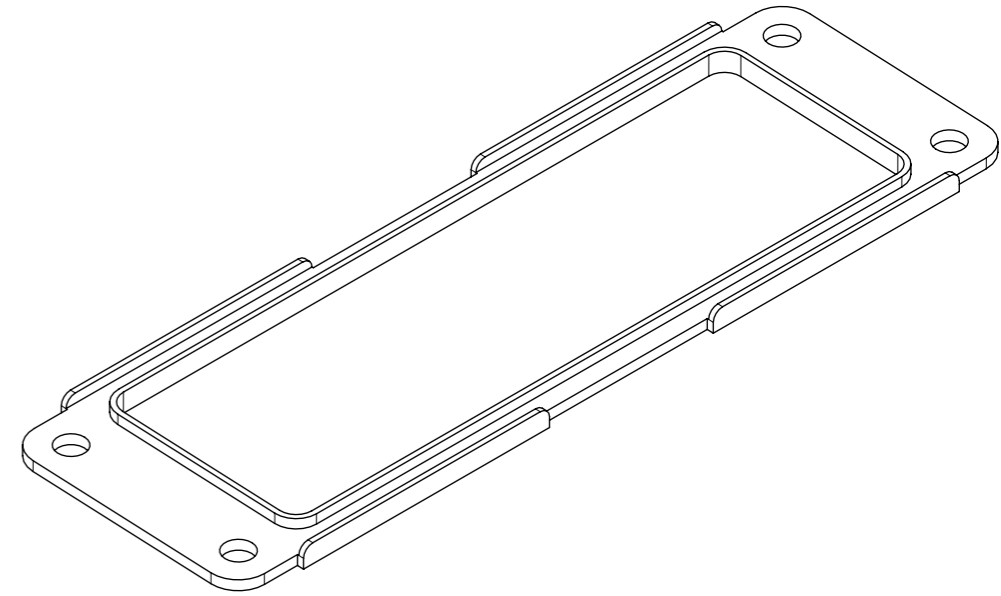
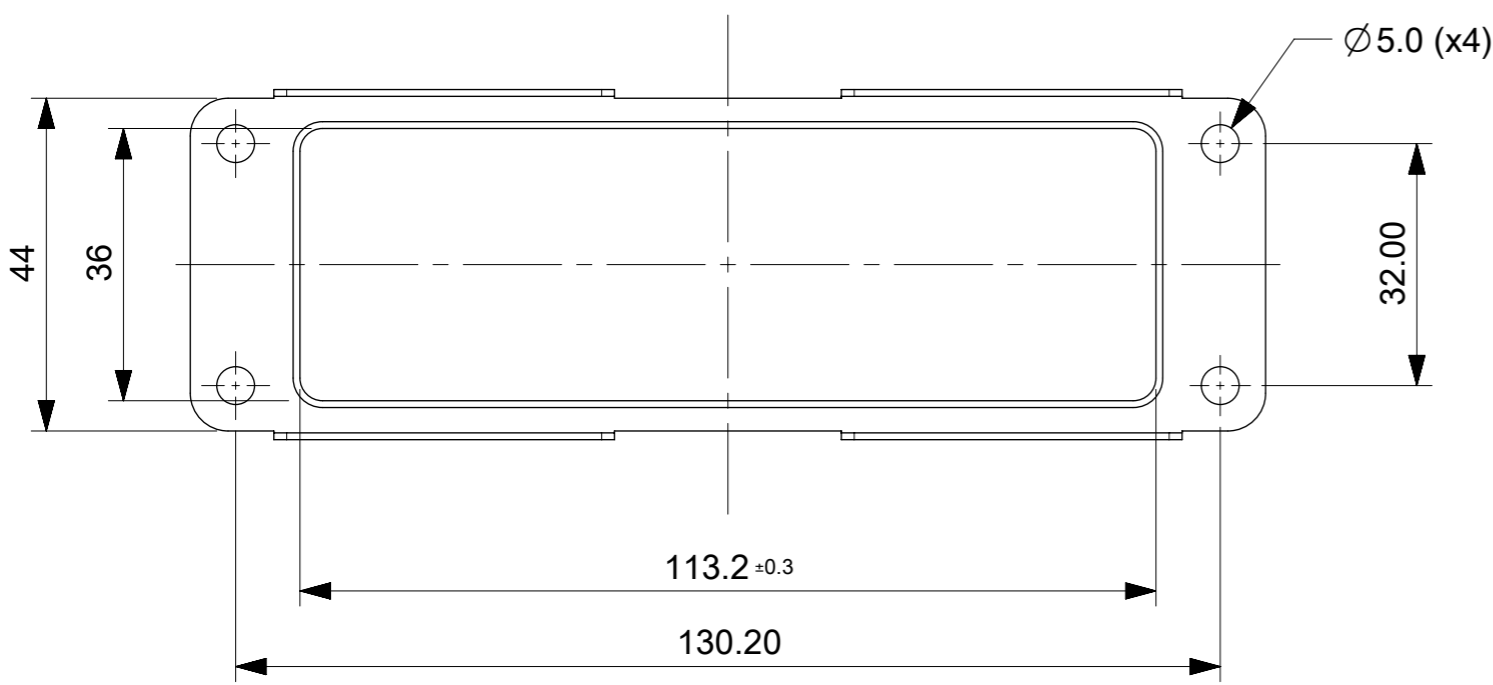
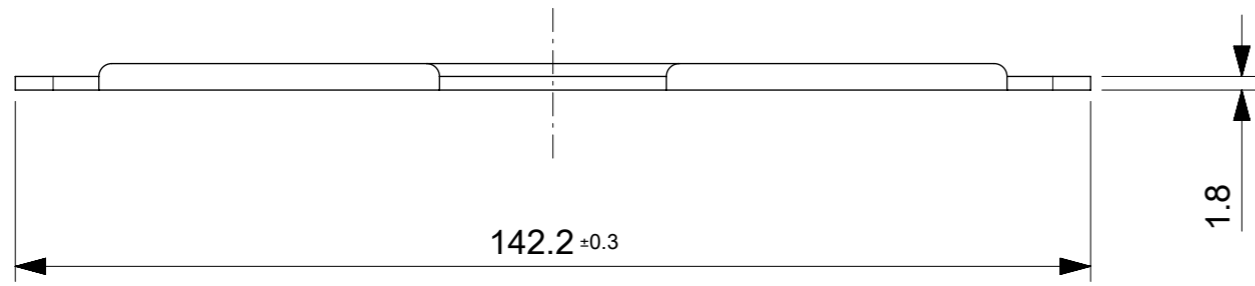


10 9 8 7 6 5 4 3 2 1

F
E
D
C
B
A

F
E
D
C
B
A



PRE-RELEASE
REFERENCE
USE ONLY

THIS DRAWING CONTAINS INFORMATION THAT IS PROPRIETARY TO MOLEX ELECTRONIC TECHNOLOGIES, LLC AND SHOULD NOT BE USED WITHOUT WRITTEN PERMISSION									
DIMENSION UNITS mm		SCALE 1:1		CURRENT REV DESC:				molex	
GENERAL TOLERANCES (UNLESS SPECIFIED)				EC NO:					
ANGULAR TOL ± 1.0 °				DRWN: AKABADI 2021/03/22				5871.1995.X	
4 PLACES ±				CHK'D: DMERONI 2021/04/01				24B BOTTOM GASKET FOR BULKHEAD HOUSING	
3 PLACES ±				APPR:				PRODUCT CUSTOMER DRAWING	
2 PLACES ± 0.1				INITIAL REVISION:				DOCUMENT NUMBER	
1 PLACE ± 0.2				DRWN: AKABADI 2021/03/22				936070065	
0 PLACES ± 0.3				APPR:				PSD 000 A	
DRAFT WHERE APPLICABLE MUST REMAIN WITHIN DIMENSIONS		FIRST ANGLE PROJECTION		DRAWING A3-SIZE		SERIES 93607		MATERIAL NUMBER 936070065	
						CUSTOMER GENERAL MARKET		SHEET NUMBER 1 OF 1	

DOCUMENT STATUS	RV	RELEASE DATE	
-----------------	----	--------------	--

9 8 7 6 5 4 3 2 1

FORMAT: master-b-prod-A3
REVISION: J
DATE: 2020/01/14