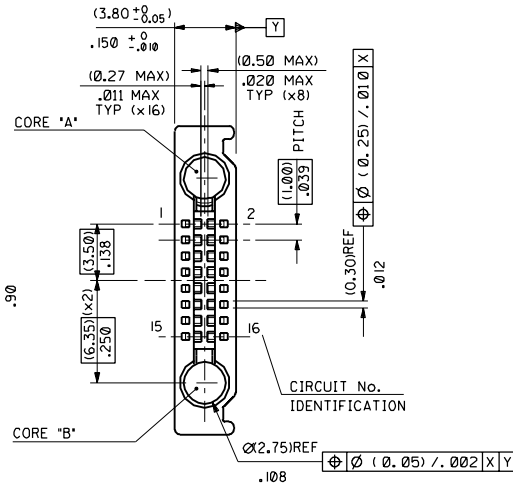
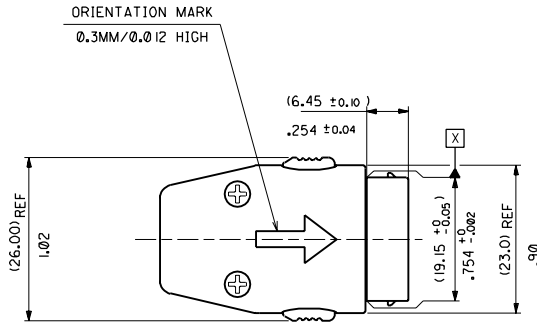


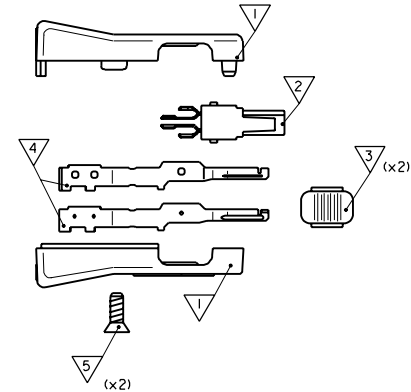
RECESS FOR CABLE STRAIN RELIEF GROMMET
(SCALE 5:1)



PARTIAL VIEW OF CONTACTS
SCALE 5:1

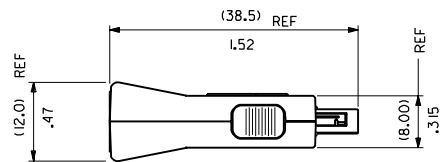
NO.	DESCRIPTION
1	UPPER SHELL LOWER SHELL
2	16 CIRCUIT I/O MOBILE PHONE PLUG CONNECTOR
3	BUTTONS
4	METAL LOCKING LATCHES
5	SCREWS : SELF TAPPING

KIT No.	COMPONENTS	RF CORING CONFIG	
		CORE 'A'	CORE 'B'
90813-0006	1, 2, 3, 4, 5	RF	RF



NOTES:

- MATERIALS:
SHELLS: 30% GLASS FILLED POLYESTER (UL94V-0, COLOUR: BLACK)
BUTTONS: 30% GLASS FILLED POLYESTER (UL94V-0, COLOUR: BLACK)
LATCHES: STAINLESS STEEL
PLUG HOUSING: 50% GLASS FILLED NYLON 4/6 (COLOUR: BLACK).
SIGNAL CONTACTS: BERYLLIUM COPPER (0.25mm)/.009uin THICK REF.
PLATING: (0.10um) / .004uin MIN GOLD FLASH, ON (1.0um) / .039uin MIN PALLADIUM NICKEL WITH (1.27um) / .050uin MIN NICKEL UNDERPLATE. (3-5um) / .118-.197uin MIN TIN-LEAD (90/10) IN THE SOLDER CUP AREA.
- MATES WITH SERIES 90811-013 HANDSET CONNECTOR.
- SEE PACKAGING SPECIFICATION ES-99039-0002.
- SEE PRODUCT SPECIFICATION PS-99020-0045.
- SEE TERMINATION SPECIFICATION ES-99033-0003.
- FOR RF COAX INSERT, USE MOLEX 90853-0001 SUPPLIED SEPARATELY.



FOR PREVIOUS
DRAWING ISSUES
SEE MRI.

ORIGINAL RELEASE ECHA E70749 97-06-06-1L	REVISIONS	DIMENSIONS SHOWN (METRIC) INCH UNLESS OTHERWISE SPECIFIED TOLERANCES: ANGULAR ± 0.5° INCH (METRIC) 3 PLACE ± .001 2 PLACE ± .005 1 PLACE ± .015 HOLE DIMENSIONS MUST REMAIN WITHIN DIMENSIONS	DRWG BY HL
ALTR	DESIGN DIMENSION (MM) (IN) (PRIMARY) [] IN. EQUIVALENT DIMENSION (SECONDARY) [] (MM) (IN)	DRWG TO BY	SCALE 2:1

REVISE ONLY ON CAD SYSTEM		SHL	REV.
CAD/CAM FILE NAME S90813.DGN		THIS DRAWING CONTAINS INFORMATION THAT IS PROPRIETARY TO MOLEX INC. & SHOULD NOT BE USED WITHOUT WRITTEN PERMISSION	
TITLE SYSTEM CONNECTOR PLUG KIT			
MOLEX		SHEET NO. DATE 10F 1 97/06/06	
PART NO. SEE CHART		DWG NO. SDA-90813-0006	
SCALE		SIZE C	

PART NO. SEE CHART
DWG NO. SDA-90813-0006