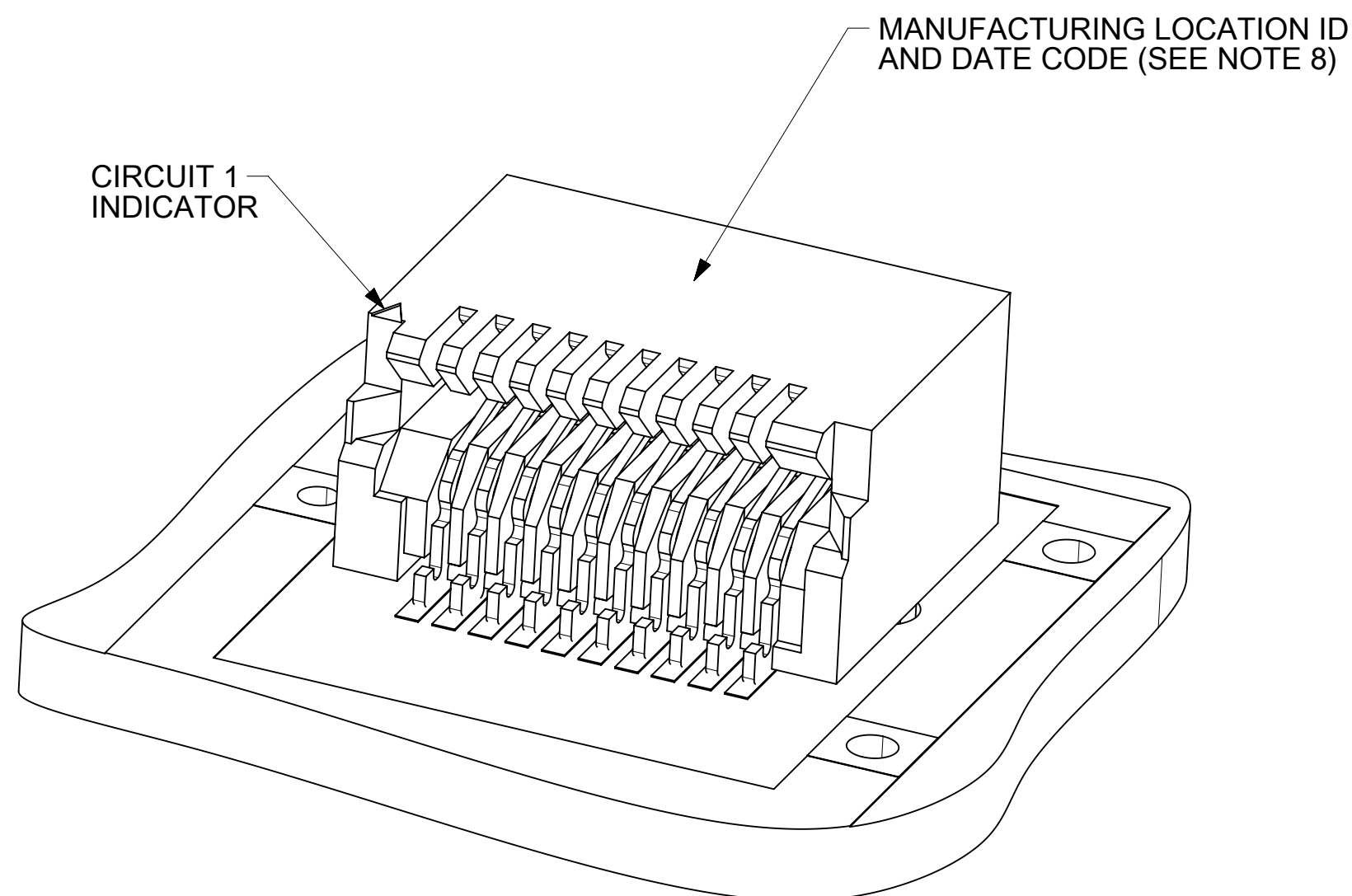

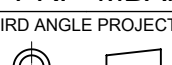


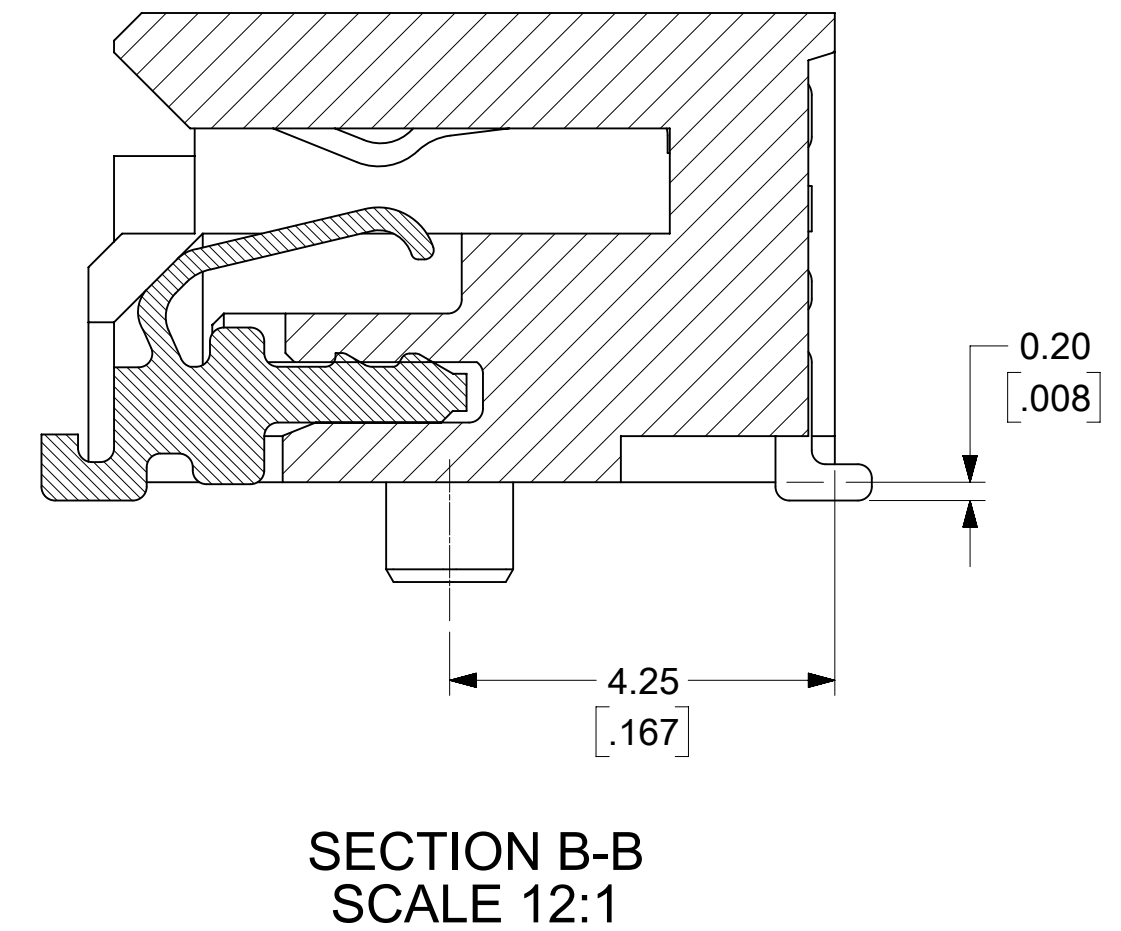
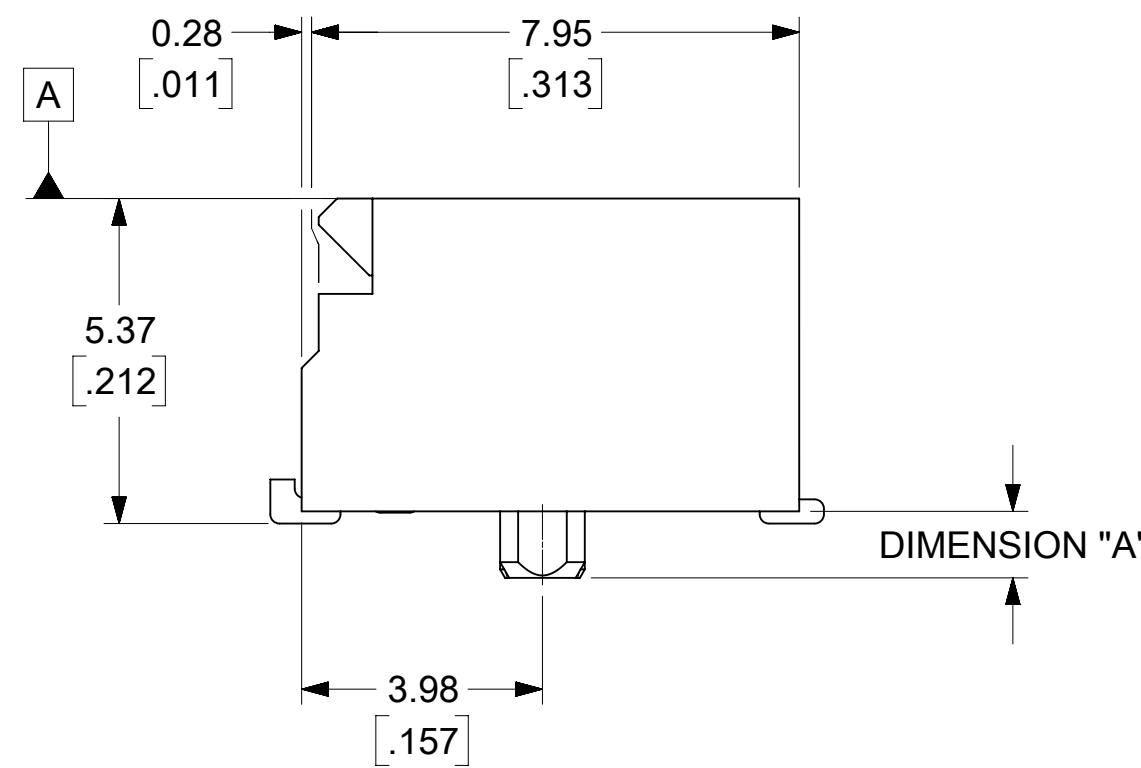
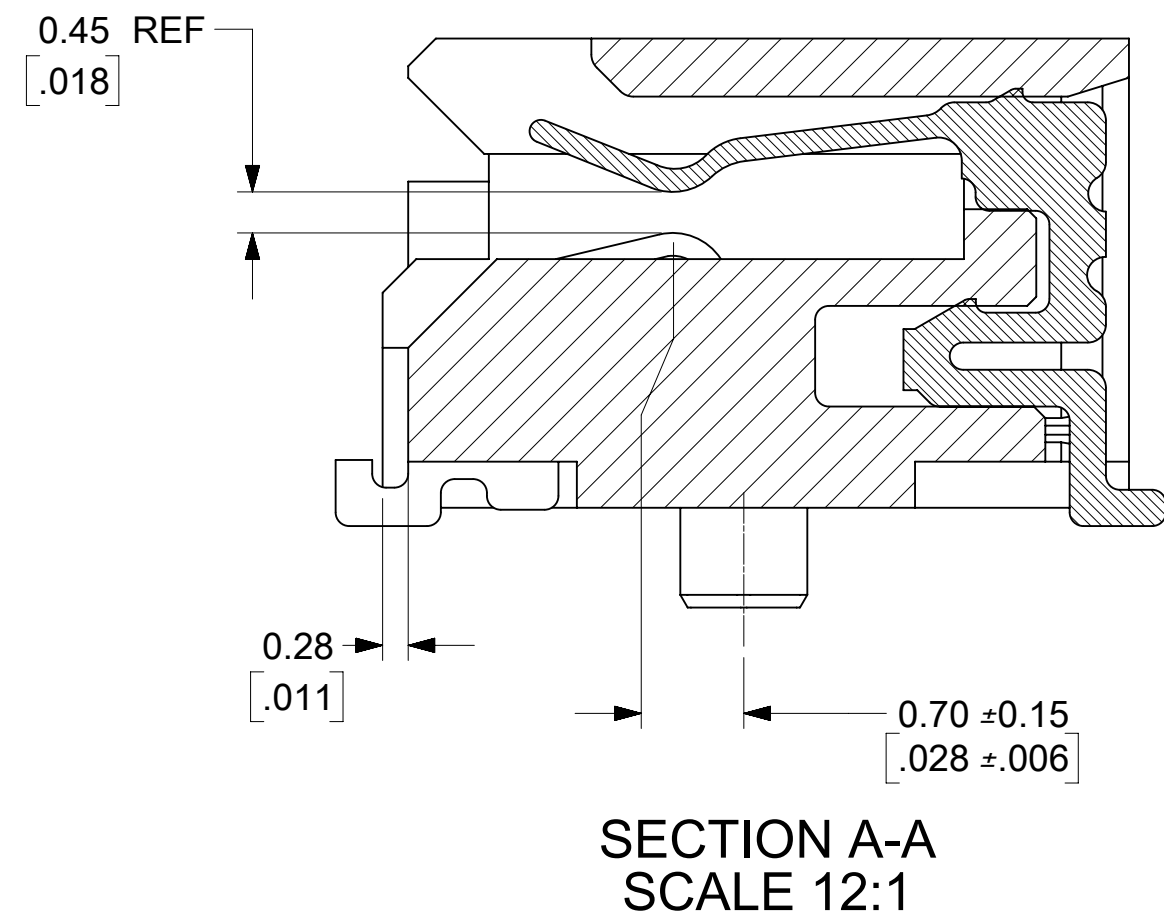
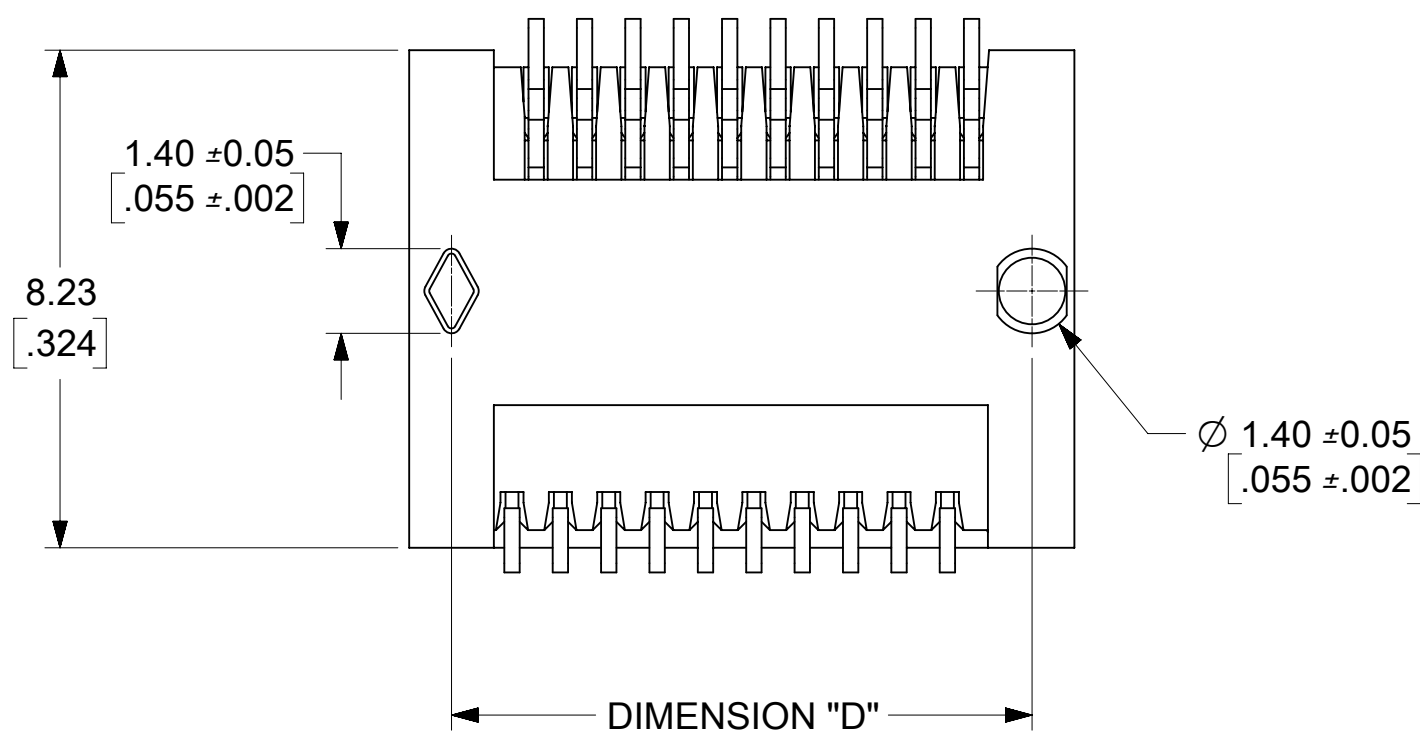
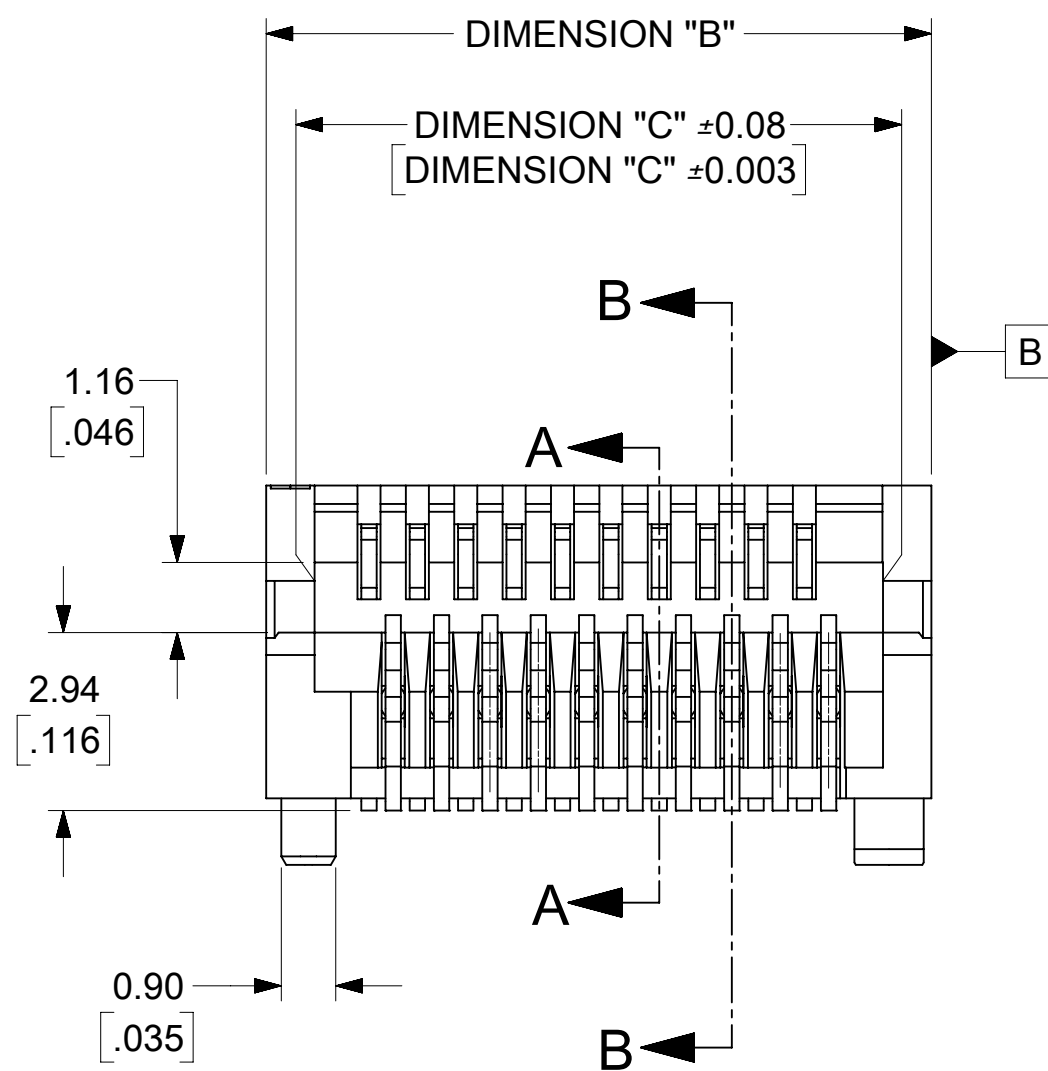
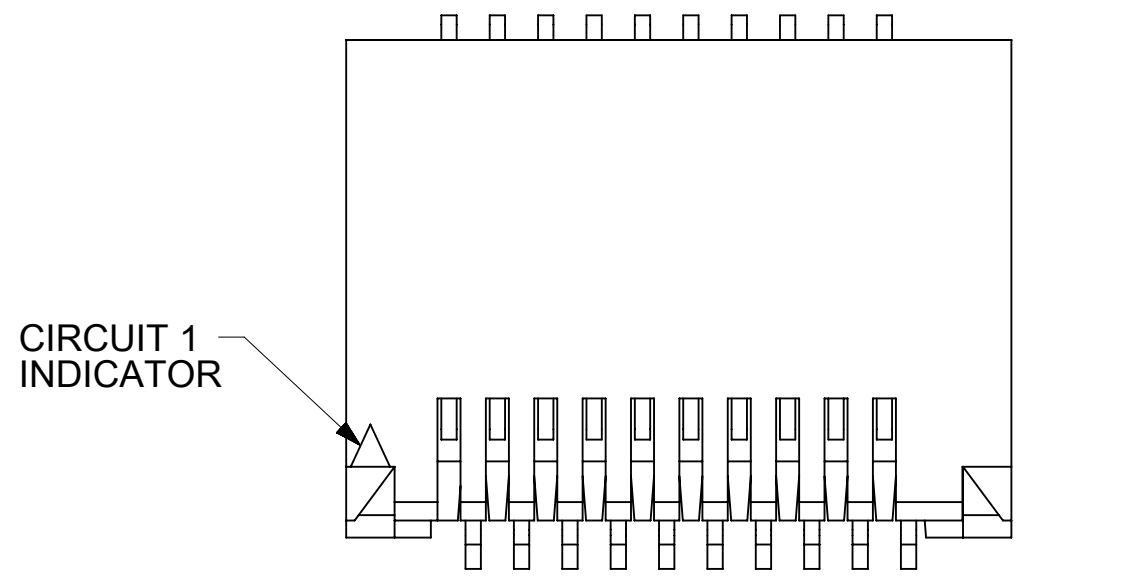
CKT SIZE	PART NUMBER	TOOLED	DESCRIPTION	DIMENSIONS				MULTI-SOURCE AGREEMENT	CIRCUIT BOARD LAYOUT
				"A"	"B"	"C"	"D"		
20	74441-0001	YES	PLATED PER NOTE 2	1.10/.043	11.00/.433	9.40/.370	9.60/.378	SFP	SEE SHEET 3
	74441-0004	NO*	PLATED PER NOTE 2	0.76/.030					
	74441-0010	YES	PLATED PER NOTE 3	1.10/.043					
	74441-0014	NO*	PLATED PER NOTE 3	0.76/.030					
	74441-0031	YES	PLATED PER NOTE 4	1.10/.043					
	74441-0041	YES	PLATED PER NOTE 5	1.10/.043					
30	74441-0007	YES	PLATED PER NOTE 2	1.10/.043	15.00/.591	13.40/.528	13.60/.535	XFP	SEE SHEET 4
	74441-0017	YES	PLATED PER NOTE 3	1.10/.043					
	74441-0009	YES	PLATED PER NOTE 2	1.10/.043					
	74441-0019	YES	PLATED PER NOTE 3	1.10/.043					
40	74441-0037	YES	PLATED PER NOTE 4	1.10/.043	19.00/.748	17.40/.685	17.60/.693		SEE SHEET 5
	74441-0005	YES	PLATED PER NOTE 2	1.10/.043					
	74441-0015	YES	PLATED PER NOTE 3	1.10/.043					
50	74441-0035	YES	PLATED PER NOTE 4	1.10/.043	23.00/.906	21.40/.843	21.60/.850		SEE SHEET 6
	74441-0008	YES	PLATED PER NOTE 2	1.10/.043					
	74441-0018	YES	PLATED PER NOTE 3	1.10/.043					
70	74441-0038	YES	PLATED PER NOTE 5	1.10/.043	31.00/1.220	29.40/1.517	29.60/1.165	XENPAK XPAK X2	SEE SHEET 7
	74441-0003	YES	PLATED PER NOTE 2	1.10/.043					
	74441-0013	YES	PLATED PER NOTE 3	1.10/.043					
	74441-0033	YES	PLATED PER NOTE 4	1.10/.043					

**NOTES**

- MATERIAL:**  
HOUSING - HIGH TEMPERATURE THERMOPLASTIC GLASS FILLED, UL 94V-0, BLACK  
TERMINALS - COPPER ALLOY
- PLATING (SEE TABLE):**  
CONTACT AREA - 0.38 MICROMETER MINIMUM GOLD OVER NICKEL  
SOLDER FOOT AREA - 2.54 MICROMETER MINIMUM TIN OVER NICKEL
- PLATING (SEE TABLE):**  
CONTACT AREA - 0.76 MICROMETER MINIMUM GOLD OVER NICKEL  
SOLDER AREA - 2.54 MICROMETER MINIMUM TIN OVER NICKEL
- PLATING (SEE TABLE):**  
CONTACT AREA - 0.76 MICROMETER MINIMUM GOLD OVER  
2.54 MICROMETERS MINIMUM NICKEL.  
SOLDER AREA: GOLD FLASH OVER NICKEL.
- PLATING (SEE TABLE):**  
CONTACT AREA - 0.38 MICROMETER MINIMUM GOLD OVER NICKEL;  
SOLDER AREA: GOLD FLASH OVER NICKEL.
- SOLDER FEET COPLANAR WITHIN 0.10/.004 FOR 20, 30 AND 40 CIRCUIT CONNECTORS,  
WITHIN 0.15/.006 FOR 50 AND 70 CIRCUIT CONNECTORS
- \* CONTACT PLANT FOR MORE INFORMATION
- DATE CODE: 4 DIGIT (3 DIGIT DAY, 1 DIGIT YEAR)
- THE CIRCUIT 1 INDICATOR MAY VARY IN SIZE AND APPEARANCE.

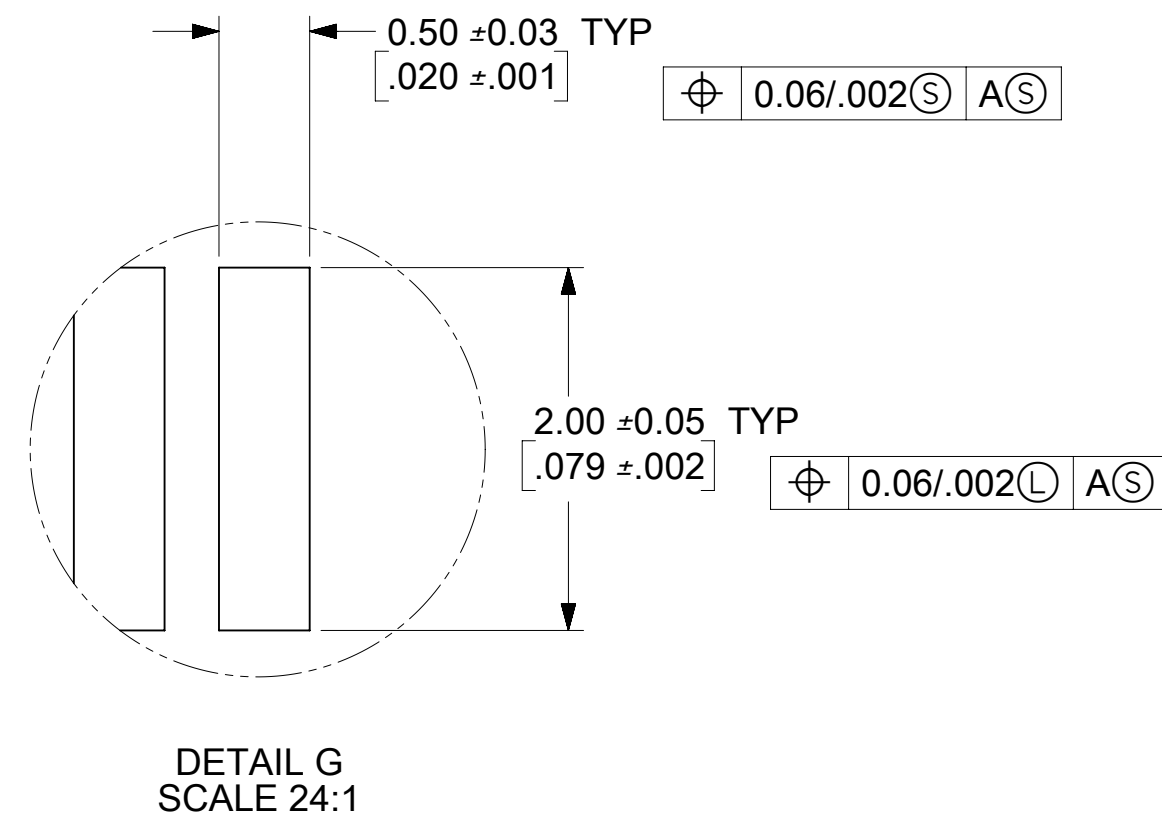
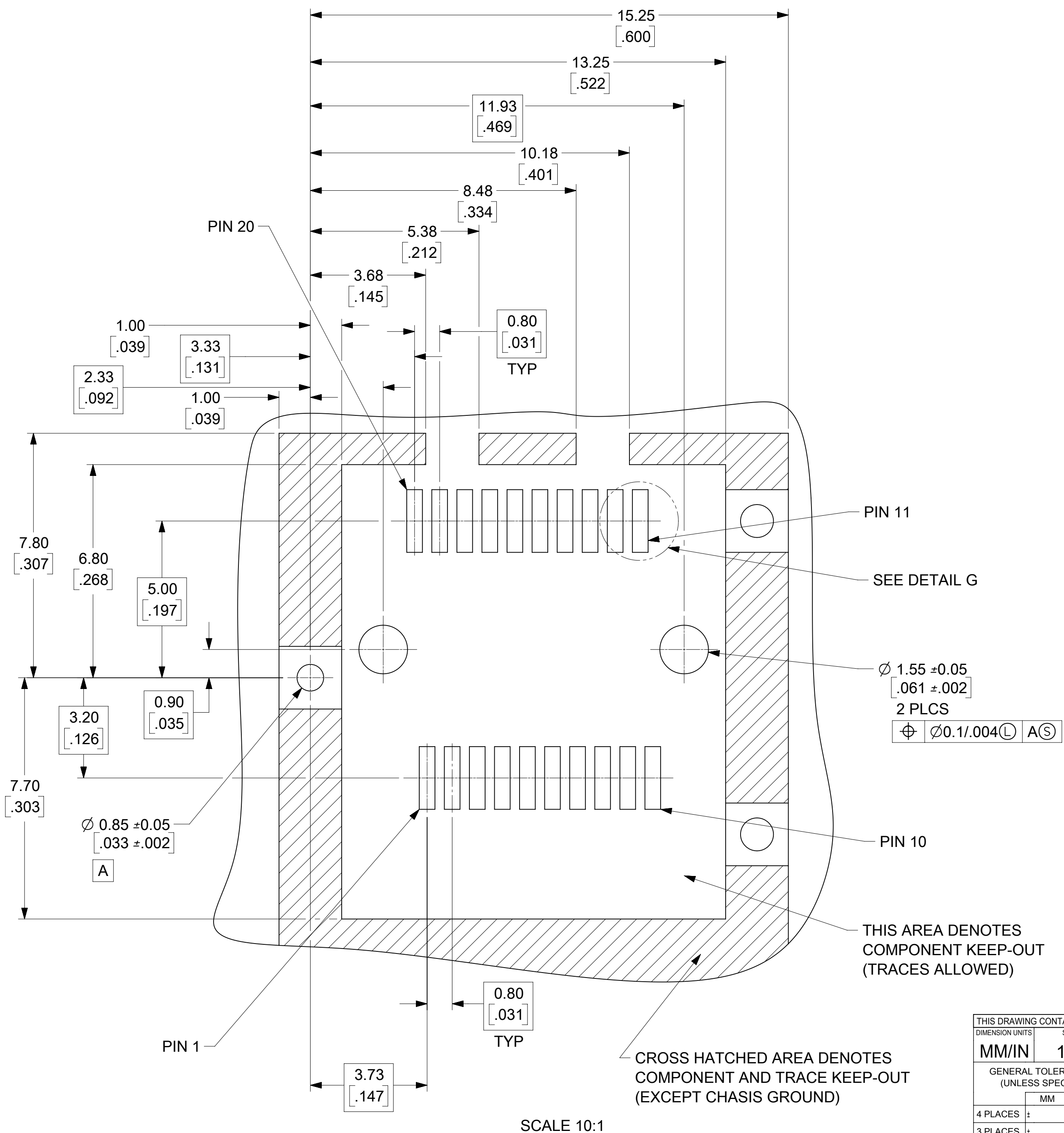


THIS DRAWING CONTAINS INFORMATION THAT IS PROPRIETARY TO MOLEX ELECTRONIC TECHNOLOGIES, LLC AND SHOULD NOT BE USED WITHOUT WRITTEN PERMISSION									
DIMENSION UNITS		SCALE		CURRENT REV DESC: CORRECT DIMENSION					
MM/IN		8:1		 SALES ASSEMBLY Z AXIS PLUGGABLE PCB CONNECTOR					
GENERAL TOLERANCES (UNLESS SPECIFIED)									
		MM	INCH	EC NO: 602779					
4 PLACES		±	±	DRWN: RCHEN55		2018/08/17			
3 PLACES		±	± 0.005	CHK'D: JKACHLIC		2018/08/24			
2 PLACES		± 0.13	± 0.01	APPR: JKACHLIC		2018/08/24			
1 PLACE		± 0.25	±	INITIAL REVISION:					
0 PLACES		±	±	DRWN: HAVERY		00/04/06			
ANGULAR TOL		± 0.5 °		APPR: MBANAKIS		00/04/06			
DRAFT WHERE APPLICABLE MUST REMAIN WITHIN DIMENSIONS				THIRD ANGLE PROJECTION		DRAWING		SERIES	
						C-SIZE		74441	
DOCUMENT NUMBER		DOC TYPE		DOC PART		REVISION			
SD-74441-001		PSD		001		AB			
MATERIAL NUMBER		CUSTOMER		SHEET NUMBER					
SEE TABLE		GENERAL MARKET		1 OF 7					



THIS DRAWING CONTAINS INFORMATION THAT IS PROPRIETARY TO MOLEX ELECTRONIC TECHNOLOGIES, LLC AND SHOULD NOT BE USED WITHOUT WRITTEN PERMISSION																													
DIMENSION UNITS		SCALE		CURRENT REV DESC: CORRECT DIMENSION																									
MM/IN		8:1		<table border="1"> <tr> <td colspan="4"><b>molex</b></td> </tr> <tr> <td colspan="4">SALES ASSEMBLY Z AXIS PLUGGABLE PCB CONNECTOR</td> </tr> <tr> <td colspan="4">PRODUCT CUSTOMER DRAWING</td> </tr> <tr> <td>DOCUMENT NUMBER</td> <td>DOC TYPE</td> <td>DOC PART</td> <td>REVISION</td> </tr> <tr> <td>SD-74441-001</td> <td>PSD</td> <td>001</td> <td>AB</td> </tr> </table>						<b>molex</b>				SALES ASSEMBLY Z AXIS PLUGGABLE PCB CONNECTOR				PRODUCT CUSTOMER DRAWING				DOCUMENT NUMBER	DOC TYPE	DOC PART	REVISION	SD-74441-001	PSD	001	AB
<b>molex</b>																													
SALES ASSEMBLY Z AXIS PLUGGABLE PCB CONNECTOR																													
PRODUCT CUSTOMER DRAWING																													
DOCUMENT NUMBER	DOC TYPE	DOC PART	REVISION																										
SD-74441-001	PSD	001	AB																										
GENERAL TOLERANCES (UNLESS SPECIFIED)				EC NO: 602779		2018/08/17																							
4 PLACES	±		±	DRWN: RCHEN55	2018/08/24																								
3 PLACES	±		± 0.005	CHK'D: JKACHLIC	2018/08/24																								
2 PLACES	±	0.13	± 0.01	APPR: JKACHLIC	2018/08/24																								
1 PLACE	±	0.25	±	INITIAL REVISION:																									
0 PLACES	±		±	DRWN: HAVERY	00/04/06																								
ANGULAR TOL ± 0.5 °				APPR: MBANAKIS	00/04/06																								
DRAFT WHERE APPLICABLE MUST REMAIN WITHIN DIMENSIONS				THIRD ANGLE PROJECTION	DRAWING	SERIES	MATERIAL NUMBER	CUSTOMER	SHEET NUMBER																				
					C-SIZE	74441	SEE TABLE	GENERAL MARKET	2 OF 7																				

DOCUMENT STATUS	P1	RELEASE DATE	2018/08/24 03:47:16
-----------------	----	--------------	---------------------



## 20 CIRCUIT MOTHER BOARD RECOMMENDED PCB LAYOUT

THIS AREA DENOTES  
COMPONENT KEEP-OUT  
(TRACES ALLOWED)

CROSS HATCHED AREA DENOTES  
COMPONENT AND TRACE KEEP-OUT  
(EXCEPT CHASIS GROUND)

SCALE 10:1

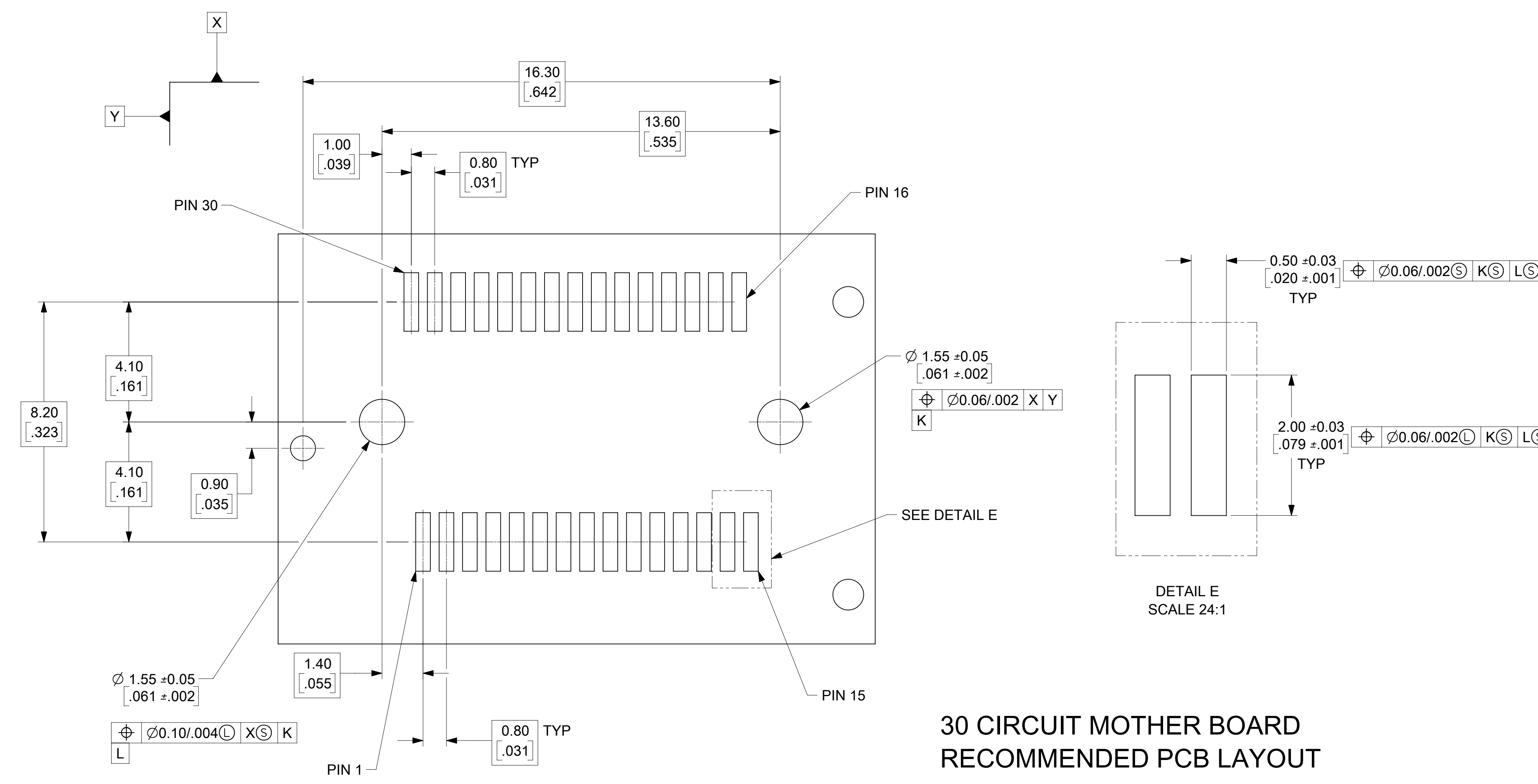
THIS DRAWING CONTAINS INFORMATION THAT IS PROPRIETARY TO MOLEX ELECTRONIC TECHNOLOGIES, LLC AND SHOULD NOT BE USED WITHOUT WRITTEN PERMISSION									
DIMENSION UNITS		SCALE		CURRENT REV DESC: CORRECT DIMENSION					
MM/IN		10:1							
GENERAL TOLERANCES (UNLESS SPECIFIED)									
4 PLACES		±	±	EC NO: 602779		2018/08/17			
3 PLACES		±	± 0.005	DRWN: RCHEN55		2018/08/24			
2 PLACES		± 0.13	± 0.01	CHK'D: JKACHLIC		2018/08/24			
1 PLACE		± 0.25	±	APPR: JKACHLIC					
0 PLACES		±	±	INITIAL REVISION:					
ANGULAR TOL		± 0.5 °		DRWN: HAVERY		00/04/06		00/04/06	
DRAFT WHERE APPLICABLE MUST REMAIN WITHIN DIMENSIONS		THIRD ANGLE PROJECTION		DRAWING		SERIES		MATERIAL NUMBER	
		C-SIZE		74441		SD-74441-001		SEE TABLE	
						CUSTOMER		SHEET NUMBER	
						GENERAL MARKET		3 OF 7	

**molex**

SALES ASSEMBLY  
Z AXIS PLUGGABLE PCB CONNECTOR

PRODUCT CUSTOMER DRAWING

DOCUMENT NUMBER	DOC TYPE	DOC PART	REVISION
SD-74441-001	PSD	001	AB

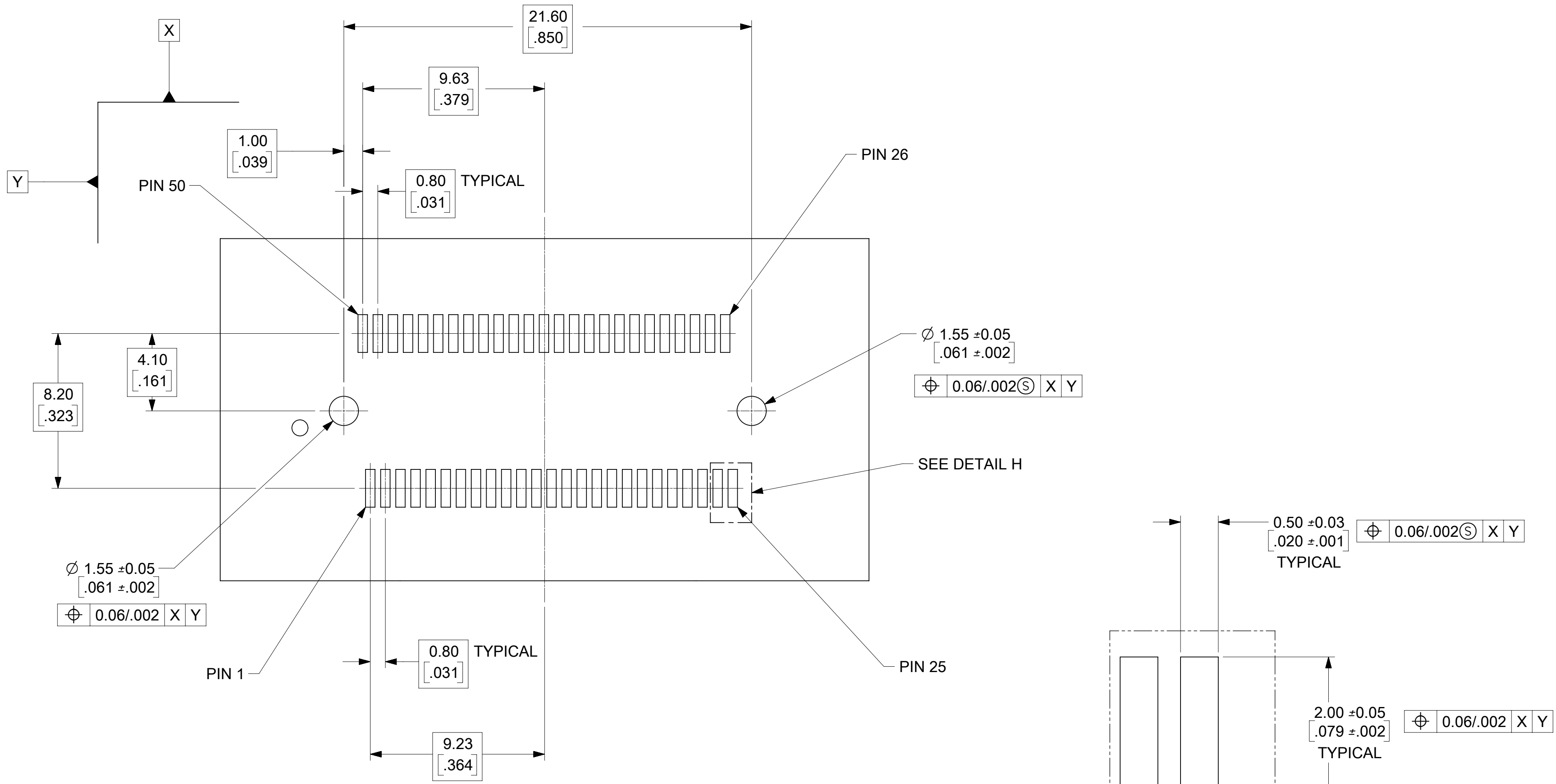


### 30 CIRCUIT MOTHER BOARD RECOMMENDED PCB LAYOUT

THIS DRAWING CONTAINS INFORMATION THAT IS PROPRIETARY TO MOLEX ELECTRONIC TECHNOLOGIES, LLC AND SHOULD NOT BE USED WITHOUT WRITTEN PERMISSION

DIMENSION UNITS		SCALE		CURRENT REV DESC: CORRECT DIMENSION				<b>molex</b>									
MM/IN		6:1															
GENERAL TOLERANCES (UNLESS SPECIFIED)						EC NO: 602779				SALES ASSEMBLY Z AXIS PLUGGABLE PCB CONNECTOR							
		MM	INCH			DRWN: RCHEN55		2018/08/17									
4 PLACES		±	±			CHK'D: JKACHLIC		2018/08/24									
3 PLACES		±	± 0.005			APPR: JKACHLIC		2018/08/24									
2 PLACES		± 0.13	± 0.01			INITIAL REVISION:											
1 PLACE		± 0.25	±			DRWN: HAVERY		00/04/06									
0 PLACES		±	±			APPR: MBANAKIS		00/04/06									
ANGULAR TOL		± 0.5 °				THIRD ANGLE PROJECTION											
DRAFT WHERE APPLICABLE MUST REMAIN WITHIN DIMENSIONS						DRAWING		SERIES		DOCUMENT NUMBER		DOC TYPE		DOC PART		REVISION	
						C-SIZE		74441		SD-74441-001		PSD		001		AB	
						MATERIAL NUMBER		CUSTOMER		SEE TABLE		GENERAL MARKET		SHEET NUMBER		4 OF 7	



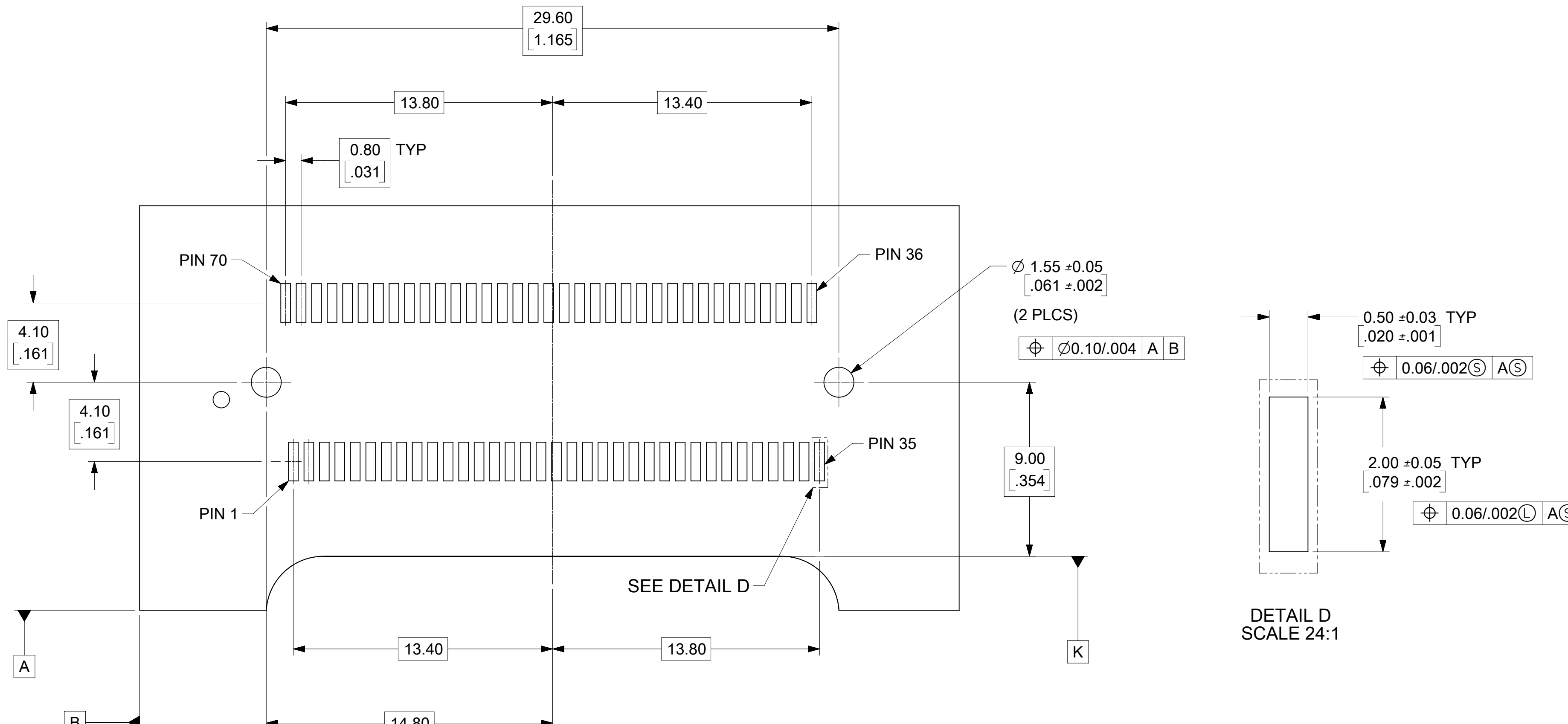


### 50 CIRCUIT MOTHER BOARD RECOMMENDED PCB LAYOUT

DETAIL H  
SCALE 24:1

THIS DRAWING CONTAINS INFORMATION THAT IS PROPRIETARY TO MOLEX ELECTRONIC TECHNOLOGIES, LLC AND SHOULD NOT BE USED WITHOUT WRITTEN PERMISSION

DIMENSION UNITS <b>MM/IN</b>		SCALE <b>6:1</b>		CURRENT REV DESC: CORRECT DIMENSION											
GENERAL TOLERANCES (UNLESS SPECIFIED)				EC NO: 602779											
		MM	INCH	DRWN: RCHEN55		2018/08/17		SALES ASSEMBLY							
4 PLACES		±	±	CHK'D: JKACHLIC		2018/08/24		Z AXIS PLUGGABLE PCB CONNECTOR							
3 PLACES		±	± 0.005	APPR: JKACHLIC		2018/08/24		PRODUCT CUSTOMER DRAWING							
2 PLACES		± 0.13	± 0.01	INITIAL REVISION:				DOCUMENT NUMBER							
1 PLACE		± 0.25	±	DRWN: HAVERY				00/04/06		DOC TYPE		DOC PART	REVISION		
0 PLACES		±	±	APPR: MBANAKIS				00/04/06		SD-74441-001		PSD	001	AB	
ANGULAR TOL ± 0.5 °				THIRD ANGLE PROJECTION		DRAWING		SERIES		MATERIAL NUMBER		CUSTOMER		SHEET NUMBER	
DRAFT WHERE APPLICABLE MUST REMAIN WITHIN DIMENSIONS						C-SIZE		74441		SEE TABLE		GENERAL MARKET		6 OF 7	



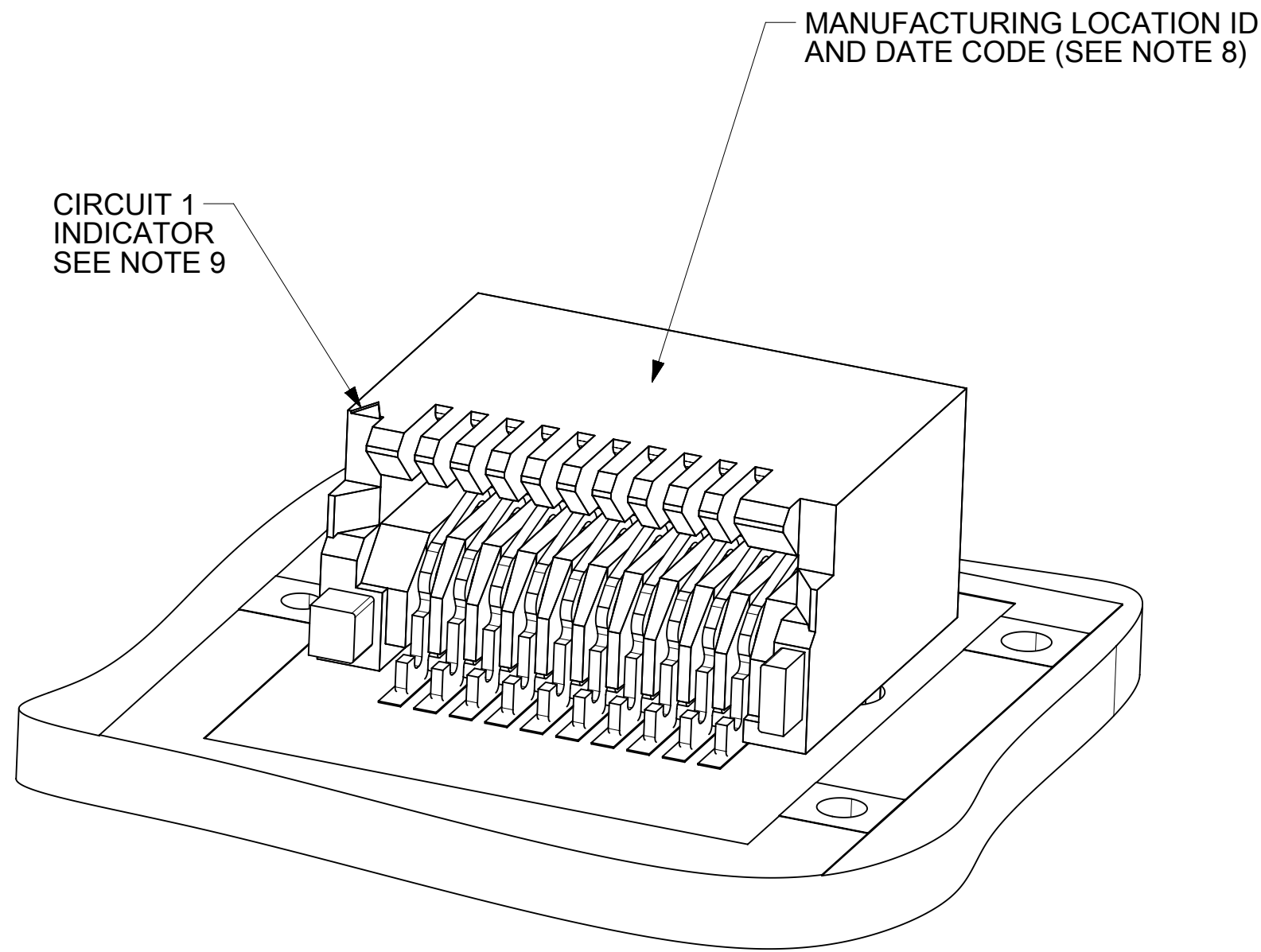
## 70 CIRCUIT MOTHER BOARD RECOMMENDED PCB LAYOUT

THIS DRAWING CONTAINS INFORMATION THAT IS PROPRIETARY TO MOLEX ELECTRONIC TECHNOLOGIES, LLC AND SHOULD NOT BE USED WITHOUT WRITTEN PERMISSION

DIMENSION UNITS		SCALE		CURRENT REV DESC: CORRECT DIMENSION				<b>molex</b>			
MM/IN		6:1									
GENERAL TOLERANCES (UNLESS SPECIFIED)						EC NO: 602779		SALES ASSEMBLY Z AXIS PLUGGABLE PCB CONNECTOR			
						DRWN: RCHEN55					
4 PLACES ±						2018/08/17		PRODUCT CUSTOMER DRAWING			
3 PLACES ±						2018/08/24					
2 PLACES ± 0.13						2018/08/24		DOCUMENT NUMBER: <b>SD-74441-001</b> DOC TYPE: PSD DOC PART: 001 REVISION: AB			
1 PLACE ± 0.25						INITIAL REVISION:					
0 PLACES ±						DRWN: HAVERY		MATERIAL NUMBER: SEE TABLE CUSTOMER: GENERAL MARKET SHEET NUMBER: 7 OF 7			
ANGULAR TOL ± 0.5°						APPR: MBANAKIS					
DRAFT WHERE APPLICABLE MUST REMAIN WITHIN DIMENSIONS				THIRD ANGLE PROJECTION		DRAWING		SERIES			
						C-SIZE		74441			

DOCUMENT STATUS	P1	RELEASE DATE	2018/08/24	03:47:16
-----------------	----	--------------	------------	----------

CKT SIZE	PART NUMBER	TOOLED	DESCRIPTION	" A "	" B "	" C "	" D "	MULTI-SOURCE AGREEMENT	CONNECTOR DRAWING	CIRCUIT BOARD DRAWING
20	74441-5001	YES	PLATED PER NOTE 2	1.10/.043	11.00/.433	9.40/.370	9.60/.378	SFP+	PAGE 2	PAGE 3
	74441-5010	YES	PLATED PER NOTE 3	1.10/.043						

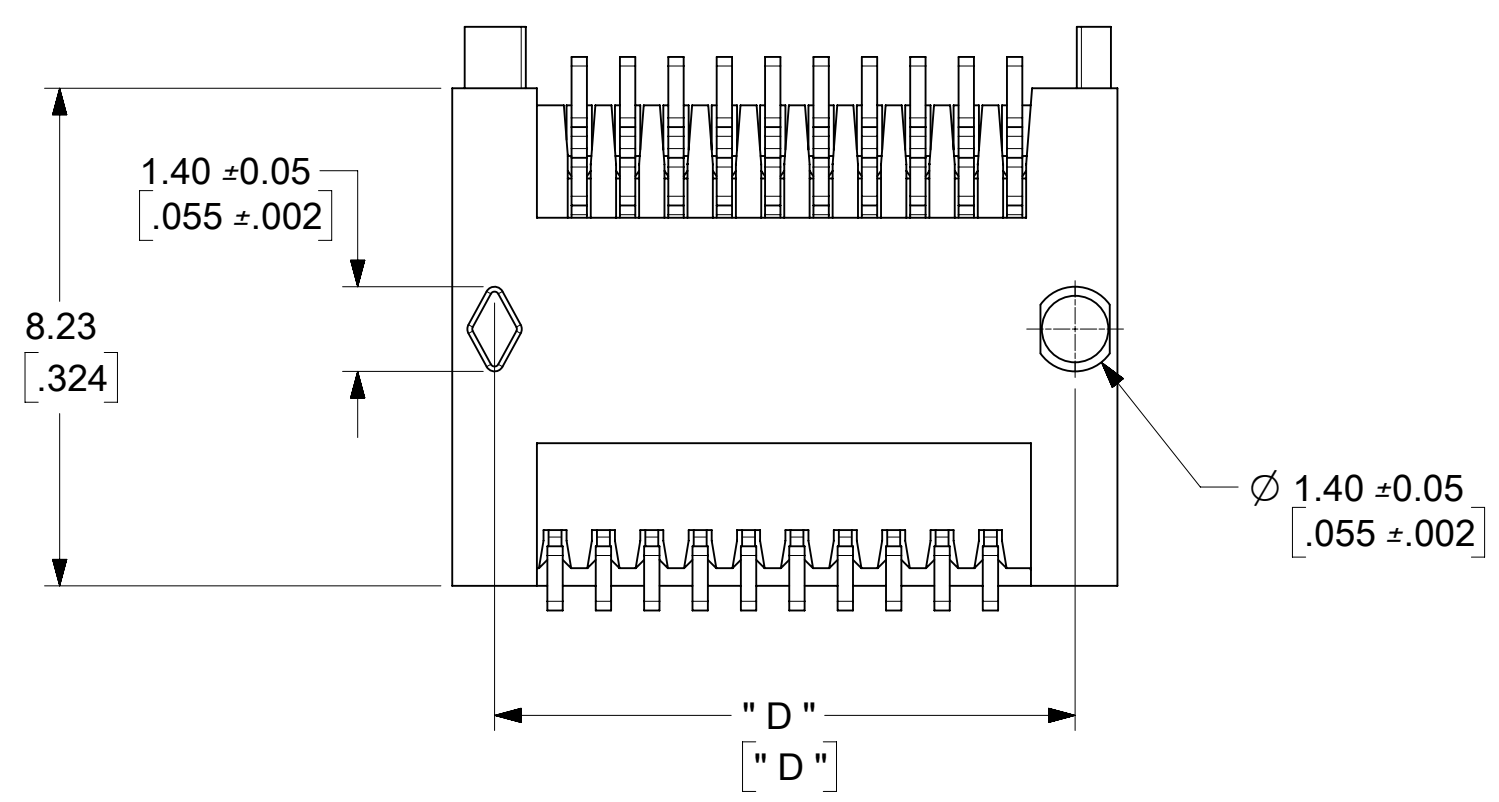
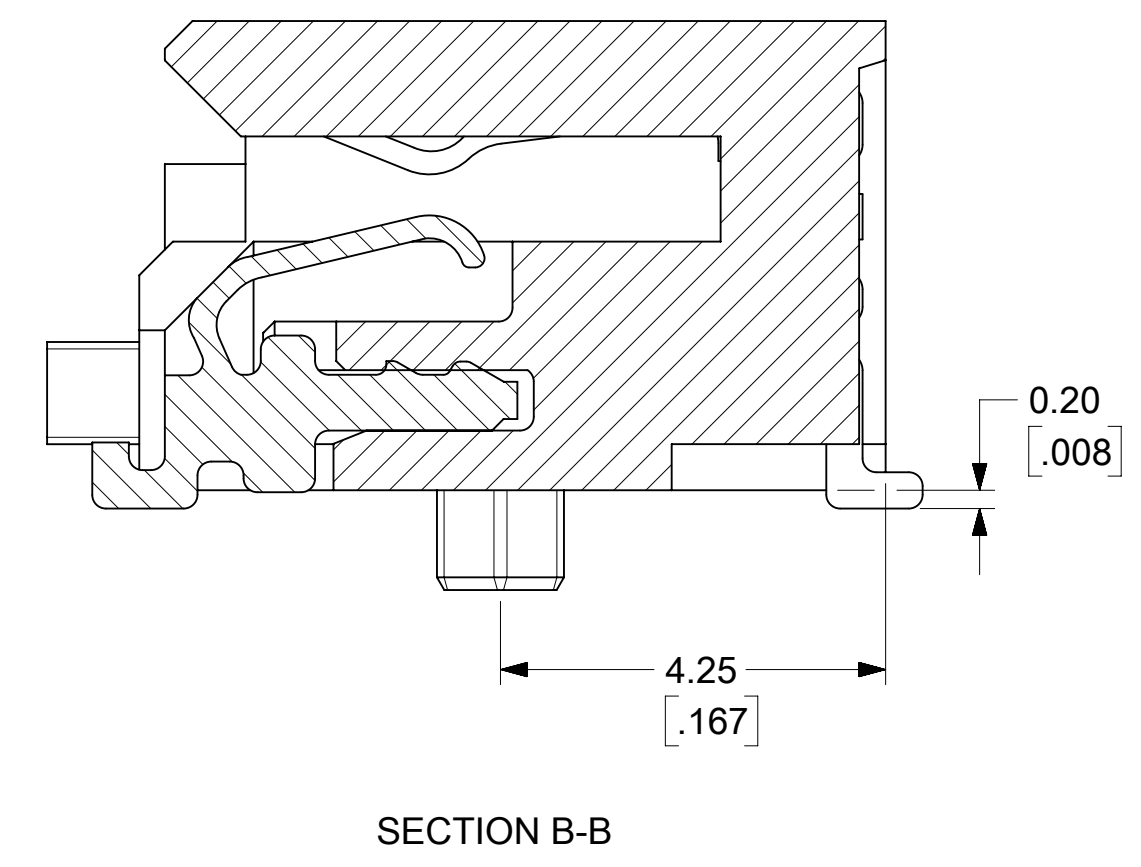
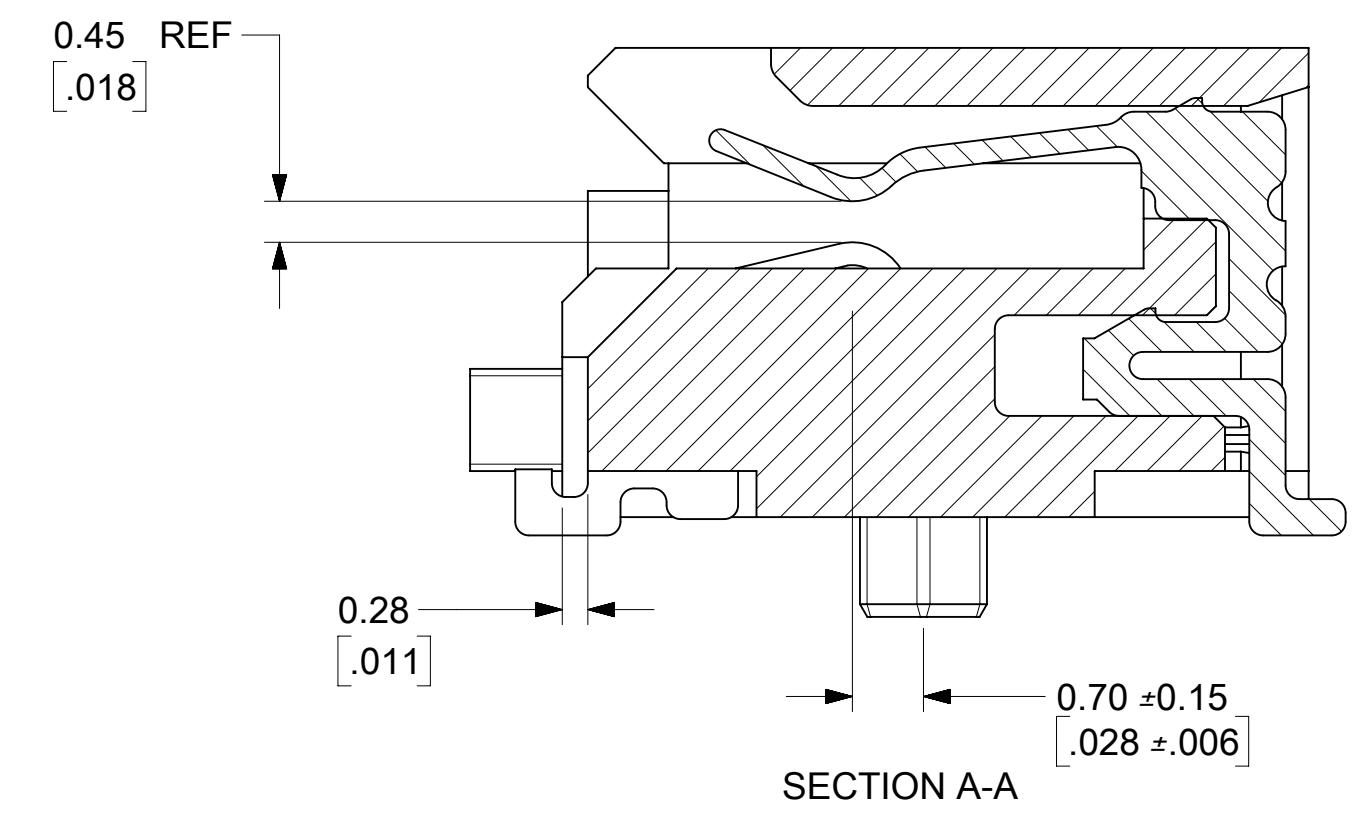
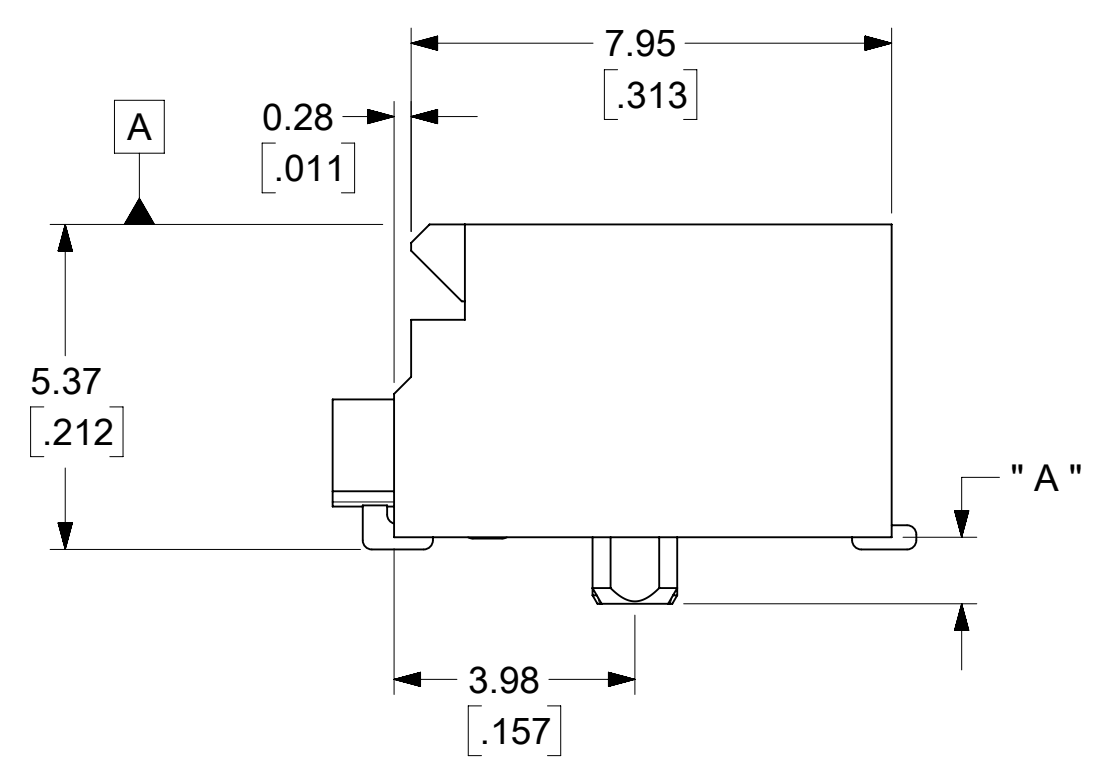
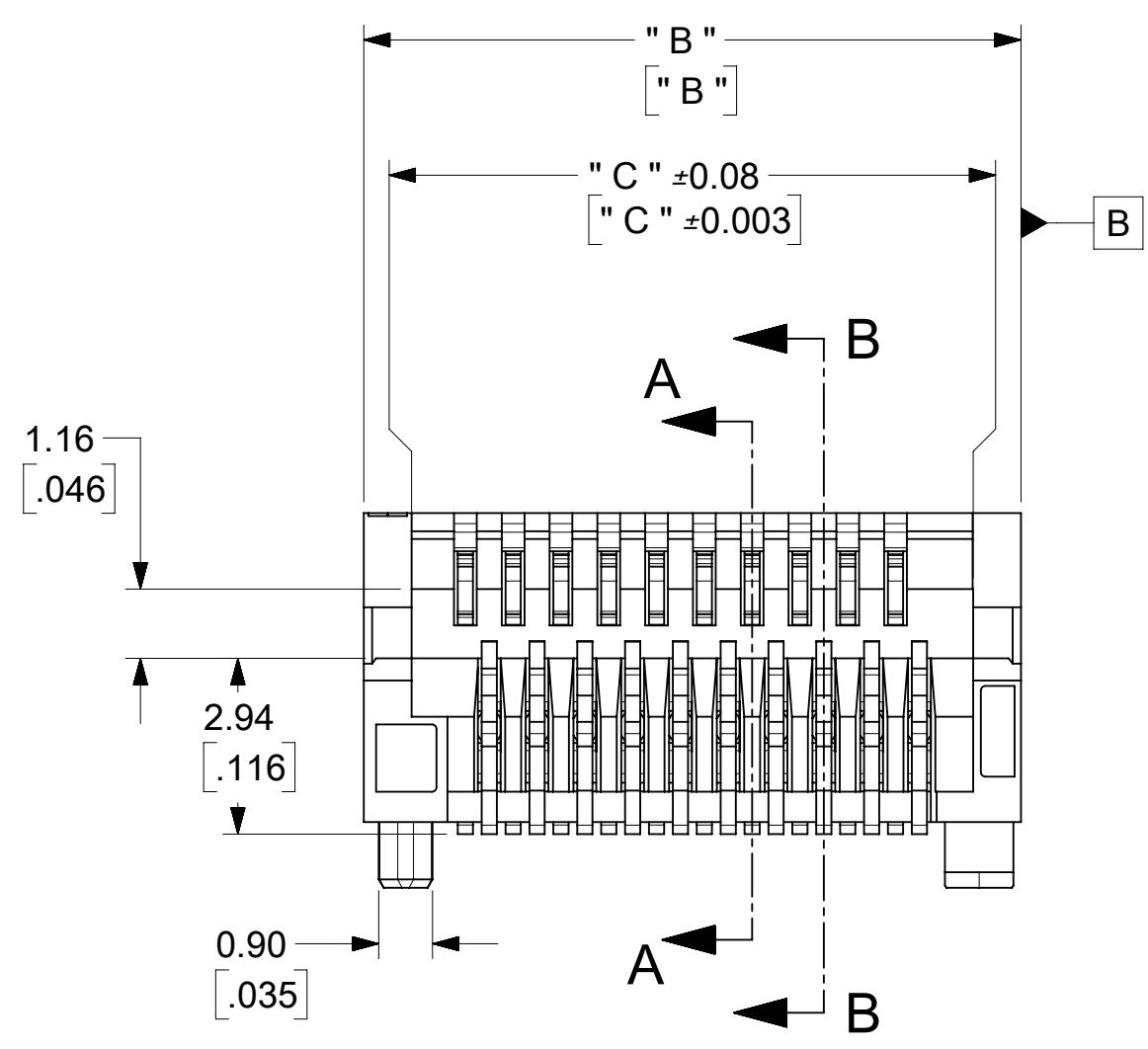
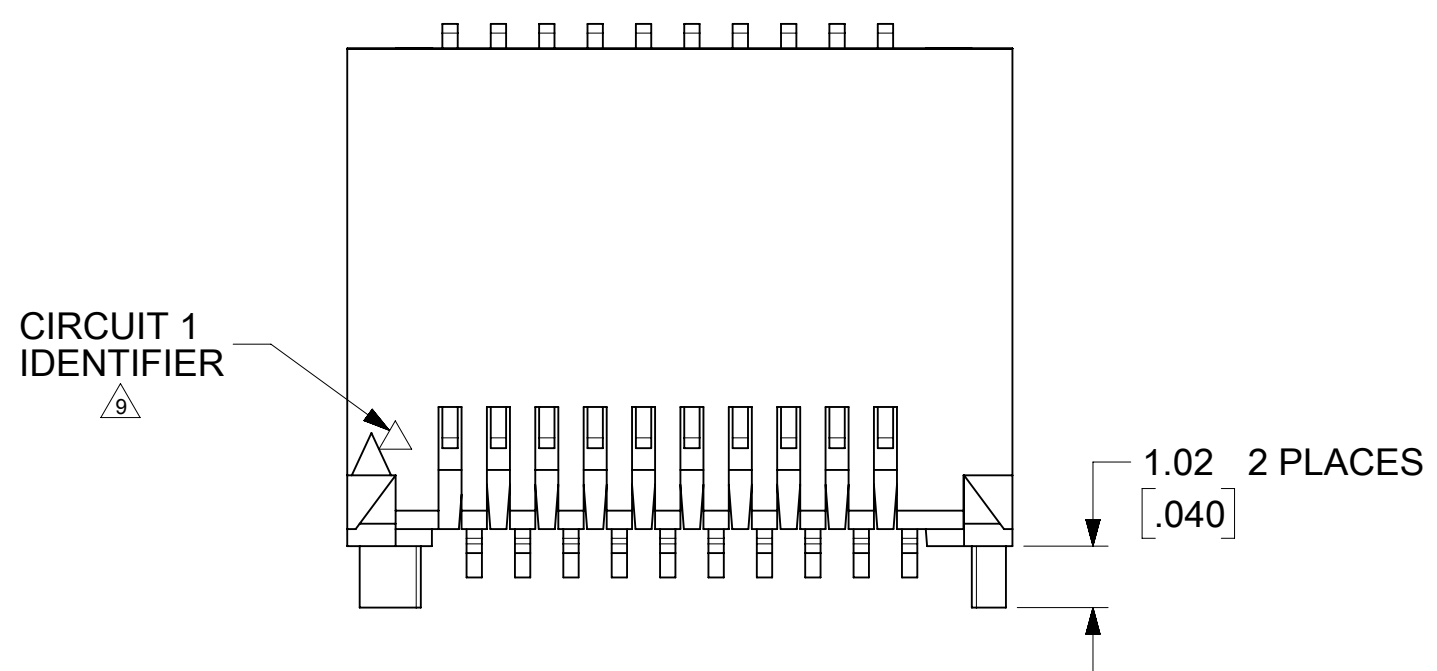


NOTES

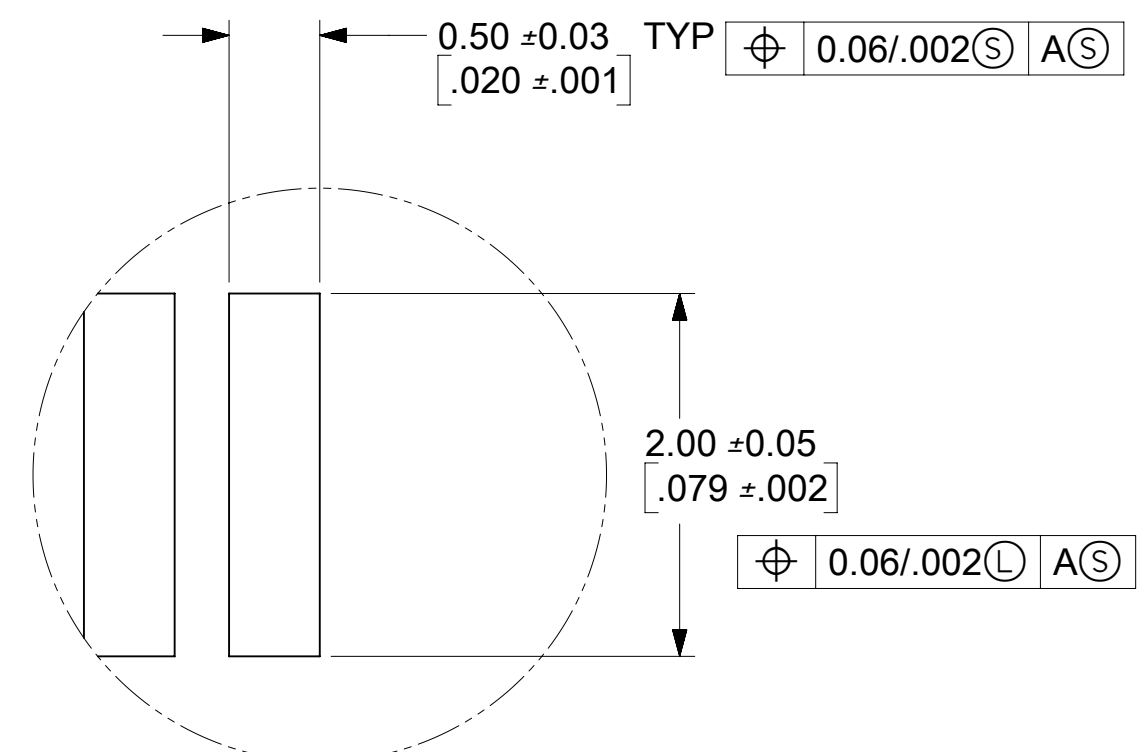
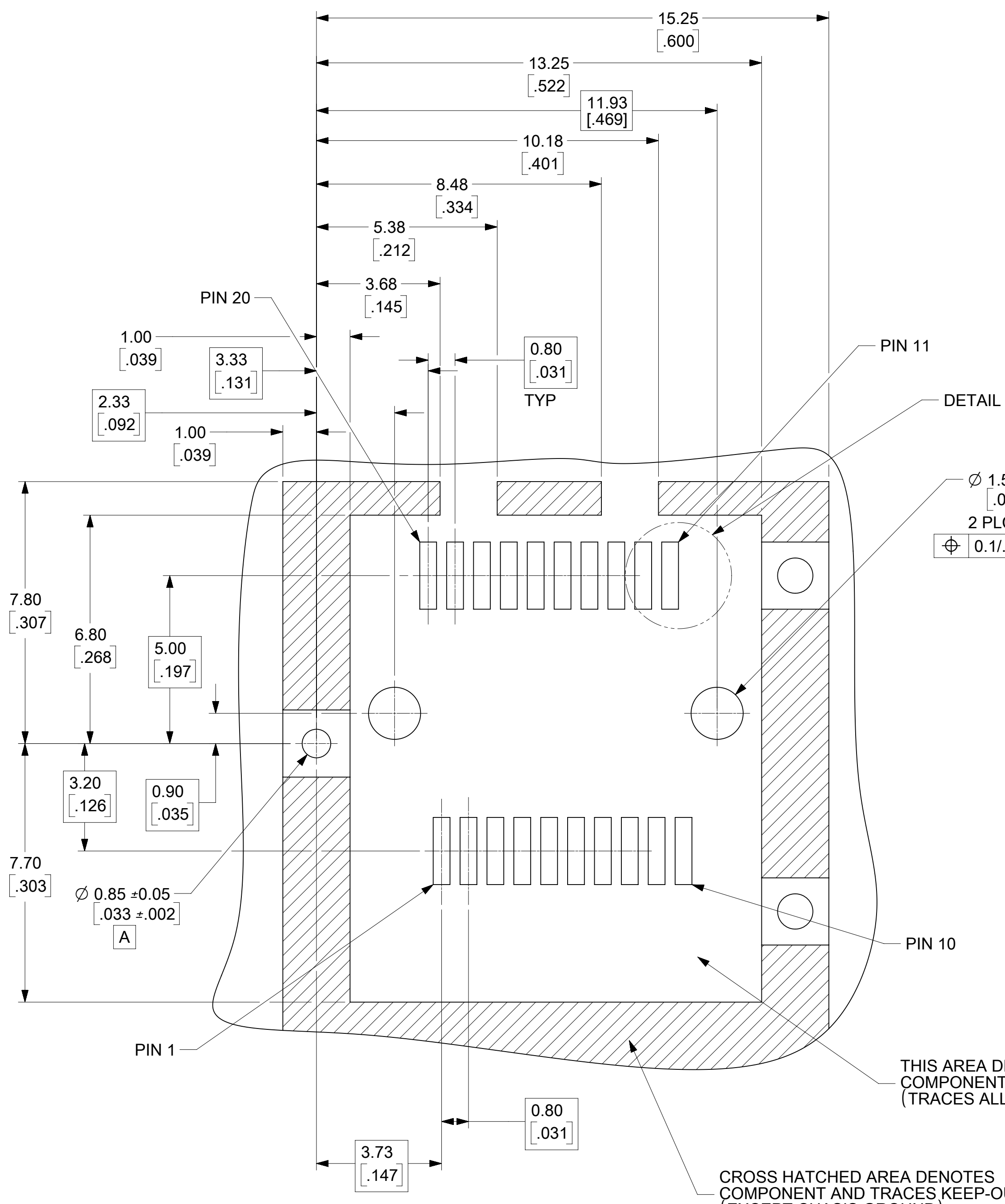
- MATERIAL:  
HOUSING - HIGH TEMPERATURE THERMOPLASTIC GLASS FILLED, UL 94V-0, BLACK  
TERMINALS - COPPER ALLOY
- PLATING:  
CONTACT AREA - 0.38 μM MIN GOLD OVER 2.54 μM MIN NICKEL  
SOLDER FOOT AREA - 2.54 - 5.09 μM TIN OVER 2.54 μM MIN NICKEL.
- PLATING:  
CONTACT AREA - 0.76 μM MIN GOLD OVER 2.54 μM NICKEL  
SOLDER AREA - 2.54 - 5.09 μM TIN OVER 2.54 μM MIN NICKEL
- PLATING:  
CONTACT AREA - 0.76 μM MIN GOLD OVER 2.54 μM NICKEL; LUBRICATED  
SOLDER AREA: GOLD FLASH OVER 2.54 μM MIN NICKEL.
- PLATING:  
CONTACT AREA - 0.76 μM MIN GOLD OVER 2.54 μM NICKEL;  
SOLDER AREA: GOLD FLASH OVER 2.54 μM MIN NICKEL.
- TERMINAL SOLDER FEET TO BE COPLANAR WITHIN 0.10/.004 FOR 20, 30 AND 40 CIRCUIT CONNECTORS  
TERMINAL SOLDER FEET TO BE COPLANAR WITHIN 0.15/.006 FOR 70 CIRCUIT CONNECTOR
- \* CONTACT PLANT FOR MORE INFORMATION
- DATE CODE: 4 DIGIT (3 DIGIT DATE, 1 DIGIT YEAR)
- THE CIRCUIT ONE INDICATOR MAY VARY IN SIZE AND APPEARANCE.

SYMBOLS	THIS DRAWING CONTAINS INFORMATION THAT IS PROPRIETARY TO MOLEX ELECTRONIC TECHNOLOGIES, LLC AND SHOULD NOT BE USED WITHOUT WRITTEN PERMISSION											
	DIMENSION UNITS		SCALE		CURRENT REV DESC: MIGRATION						<b>molex</b>	
∇ = 0	MM/IN	1:1		GENERAL TOLERANCES (UNLESS SPECIFIED)		EC NO: 602493				SALES ASSEMBLY		
∇ = 0							DRWN: SUDAYGUNAGI		2018/07/30		SFP PLUS HOST CONNECTOR 20 CIRCUIT	
∇ = 0							CHK'D: JKACHLIC		2018/08/13		PRODUCT CUSTOMER DRAWING	
S = 0	4 PLACES ±		±				APPR: JKACHLIC		2018/08/13		DOCUMENT NUMBER	
∇ = 0	3 PLACES ±		± 0.005				INITIAL REVISION:				DOC TYPE	
∇ = 0	2 PLACES ±		± 0.13		± 0.01		DRWN: BBARKER		2007/01/23		DOC PART	
∇ = 0	1 PLACE ±		± 0.25		±		APPR: SMILLER		2007/01/23		REVISION	
∇ = 0	0 PLACES ±		±				ANGULAR TOL ± 0.5 °				SD-74441-008	
∇ = 0	DRAFT WHERE APPLICABLE MUST REMAIN WITHIN DIMENSIONS						THIRD ANGLE PROJECTION		DRAWING		MATERIAL NUMBER	
∇ = 0							C-SIZE		SERIES		CUSTOMER	
							74441		SEE TABLE		GENERAL MARKET	
											SHEET NUMBER	
											1 OF 3	





SYMBOLS	THIS DRAWING CONTAINS INFORMATION THAT IS PROPRIETARY TO MOLEX ELECTRONIC TECHNOLOGIES, LLC AND SHOULD NOT BE USED WITHOUT WRITTEN PERMISSION										
	DIMENSION UNITS		SCALE		CURRENT REV DESC: MIGRATION						
∇ = 0	MM/IN		6:1		EC NO: 602493 DRWN: SUDAYGUNAGI 2018/07/30 CHK'D: JKACHLIC 2018/08/13 APPR: JKACHLIC 2018/08/13 INITIAL REVISION: DRWN: BBARKER 2007/01/23 APPR: SMILLER 2007/01/23						
∇ = 0	GENERAL TOLERANCES (UNLESS SPECIFIED)										
∇ = 0			MM	INCH	SALES ASSEMBLY SFP PLUS HOST CONNECTOR 20 CIRCUIT						
S = 0	4 PLACES	±									
∇ = 0	3 PLACES	±		± 0.005	PRODUCT CUSTOMER DRAWING						
∇ = 0	2 PLACES	±	0.13	± 0.01							
∇ = 0	1 PLACE	±	0.25		DOCUMENT NUMBER SD-74441-008						
∇ = 0	0 PLACES	±									
∇ = 0	ANGULAR TOL ± 0.5°		THIRD ANGLE PROJECTION		DRAWING	SERIES	MATERIAL NUMBER	CUSTOMER	DOC TYPE	DOC PART	REVISION
∇ = 0	DRAFT WHERE APPLICABLE MUST REMAIN WITHIN DIMENSIONS		C-SIZE		74441	SEE TABLE	GENERAL MARKET	PSD	001	E	
DOCUMENT STATUS		P1	RELEASE DATE	2018/08/13 02:44:03	SHEET NUMBER		2 OF 3				



20 CIRCUIT MOTHER BOARD  
RECOMMENDED PCB LAYOUT

THIS AREA DENOTES  
COMPONENT KEEP-OUT  
(TRACES ALLOWED)

CROSS HATCHED AREA DENOTES  
COMPONENT AND TRACES KEEP-OUT  
(EXCEPT CHASIS GROUND)

SYMBOLS										THIS DRAWING CONTAINS INFORMATION THAT IS PROPRIETARY TO MOLEX ELECTRONIC TECHNOLOGIES, LLC AND SHOULD NOT BE USED WITHOUT WRITTEN PERMISSION									
DIMENSION UNITS					SCALE					CURRENT REV DESC: MIGRATION									
MM/IN					8:1					EC NO: 602493 DRWN: SUDAYGUNAGI 2018/07/30 CHK'D: JKACHLIC 2018/08/13 APPR: JKACHLIC 2018/08/13 INITIAL REVISION: DRWN: BBARKER 2007/01/23 APPR: SMILLER 2007/01/23									
GENERAL TOLERANCES (UNLESS SPECIFIED)																			
4 PLACES ±					MM					INCH					SALES ASSEMBLY				
3 PLACES ±					± 0.005					± 0.01					SFP PLUS HOST CONNECTOR 20 CIRCUIT				
2 PLACES ±					± 0.13					± 0.25					PRODUCT CUSTOMER DRAWING				
1 PLACE ±					± 0.25					±					DOCUMENT NUMBER				
0 PLACES ±					±					±					SD-74441-008				
ANGULAR TOL ± 0.5°					THIRD ANGLE PROJECTION					DRAWING					SERIES				
DRAFT WHERE APPLICABLE MUST REMAIN WITHIN DIMENSIONS					C-SIZE					74441					MATERIAL NUMBER				
															SEE TABLE				
															CUSTOMER				
															GENERAL MARKET				
															SHEET NUMBER				
															3 OF 3				