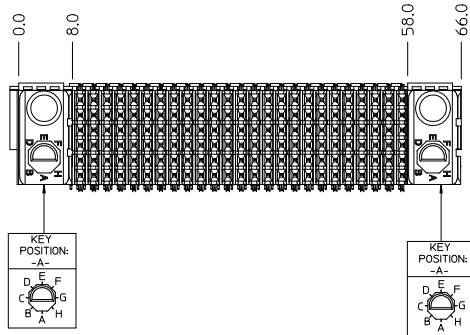
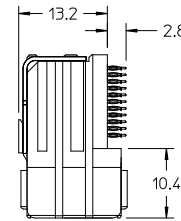
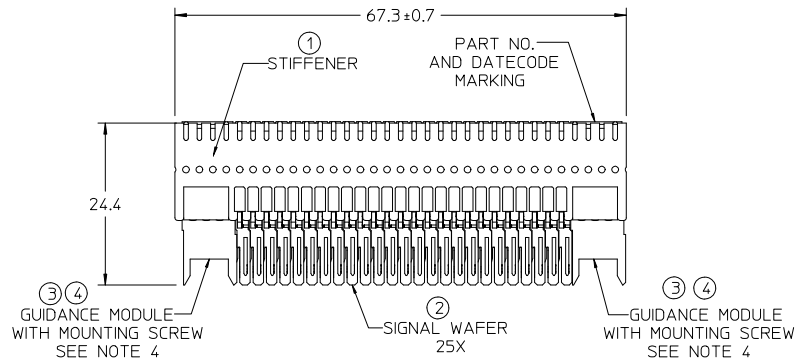


CUSTOMER: NETWORK ELECTRONICS

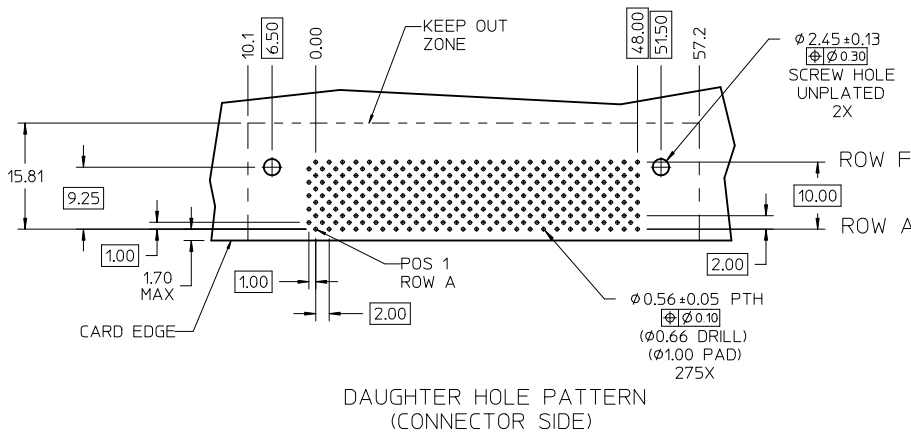


NOTES: (UNLESS OTHERWISE SPECIFIED)

- MATERIALS: HOUSING : LIQUID CRYSTAL POLYMER (LCP)  
GLASS-FILLED, UL94V-0, BLACK.  
TERMINALS: COPPER ALLOY  
STIFFENER: STAINLESS STEEL
- FINISH: SELECTIVE GOLD (Au) 0.76 micrometer MINIMUM  
IN CONTACT AREA, SELECTIVE MATTE TIN (Sn) IN TAIL AREA,  
NICKEL (Ni) UNDERPLATE OVERALL.
- REFER TO MOLEX PRODUCT SPECIFICATION PS-74031-999  
FOR PERFORMANCE SPECIFICATIONS.
- PACKAGED PER PK-70873-5040  
SCREWS PACKED IN BAGS INSIDE OF TUBES.
- REFER TO MOLEX DOCUMENT SD-74031-002 FOR ADDITIONAL  
DETAIL ON THE SIGNAL WAFER.
- REFER TO MOLEX DOCUMENT SD-74037-005 FOR ADDITIONAL  
DETAIL ON THE GUIDANCE MODULE.
- MARK LABEL WITH PART NUMBER AND DATE CODE.  
LABEL MAY BE REPLACED BY LASER MARKINGS ON THE STIFFENER.
- THIS PART CONFORMS TO CLASS B REQUIREMENTS OF MOLEX  
COSMETIC SPECIFICATION PS-45499-002.

LEAD-FREE  
PLATING

ITEM	PART NUMBER	DESCRIPTION	QTY
1	74036-0067	STIFFENER	1
2	74031-1001	SIGNAL WAFER, LF	25
3	74037-6001	POLARIZING/GUIDE MODULE	2
4	73726-0000	GUIDE MODULE MNTG SCREW	2



DAUGHTER HOLE PATTERN  
(CONNECTOR SIDE)

REV	DESCRIPTION	QUALITY SYMBOLS	GENERAL TOLERANCES (UNLESS SPECIFIED)		DIMENSION STYLE	SCALE	DESIGN UNITS	THIRD ANGLE PROJECTION
			mm	INCH	MM ONLY	2:1	METRIC	☉
CHG TO LEAD-FREE	2011/11/15	▽=0	4 PLACES	±---	DRAWN BY	DATE	TITLE	
EC NO: UCP2012-1775	2011/11/15	▽=0	3 PLACES	±---	GES	2011/11/16	VHDM 6 ROW, LF DAUGHTERCARD SALES DRAWING	
DRWN:GB	2011/11/15	▽=0	2 PLACES	±0.25	CHECKED BY	DATE	MOLEX INCORPORATED	
CHKD:SDANNELLEY	2011/11/15	▽=0	1 PLACE	±0.38	SDANNELLEY	2011/11/16	MATERIAL NO. 74030-0676 DOCUMENT NO. SD-74030-676	
APPR:SMILLER	2011/12/19		ANGULAR ±1/2°		APPROVED BY	DATE	SHEET NO. 1 OF 1	
			DRAFT WHERE APPLICABLE MUST REMAIN WITHIN DIMENSIONS		SMILLER	2011/12/19	SIZE D THIS DRAWING CONTAINS INFORMATION THAT IS PROPRIETARY TO MOLEX INCORPORATED AND SHOULD NOT BE USED WITHOUT WRITTEN PERMISSION	